



588 / OPMI Vario

OPMI Vario from ZEISS

Expand your vision



We make it visible.

ZEISS OPMI Vario

Efficiency and versatility in one

Regardless of the model, optics and illumination are the key elements of ZEISS surgical microscopes. This is also true for OPMI® Vario from ZEISS, whose apochromatic optical design delivers images with outstanding resolution and impressive color fidelity.

In addition to brilliant optics, the precise suspension system enables good visualization and operation of the system. In particular, the floor stand with the optional lifting column and the optional ceiling mount provide hospital personnel much freedom of movement and good access to the patient.

Together with its expandability ZEISS OPMI Vario is a versatile surgical microscope for neurosurgery, spine surgery, ENT and P&R surgery. It is ideal for routine procedures as well as more complex operations in these disciplines.



The stereo co-observation tube allows the assistant to easily assume a comfortable position on either side of the surgeon.



The symmetrical stereo bridge enables the surgeon and the assistant to work together efficiently in face-to-face procedures.



“We have been using the OPMI Vario microscope for seven years and are very satisfied with the performance. It fits our needs and applications. The magnificent optics, the smooth movements and the exact positioning of the system make OPMI Vario a real pleasure to work with.”

Kaoru Ogawa, M.D., Ph.D.,
*Chairman and Professor,
Department of Otolaryngology,
School of Medicine, Keio University,
Tokyo, Japan*

Options

Tailored to your needs

The modular design of ZEISS OPMI Vario makes it possible to tailor the system to personal needs and to the requirements of many clinical disciplines.

Ergonomic design and operating comfort



Even in extreme positions, the **Foldable Tube f170/f260** allows for a comfortable working position.



The wireless foot control panel can be freely positioned in the OR – without the hindrance of cables. By controlling multiple microscope functions, it frees the surgeon's hands for the procedure.

Digital visualization



The ultra-compact TRIO 610 3-Chip HD camera provides high definition video quality.

Optics and illumination



XY coupling enables precise repositioning of the surgical microscope.



The auxiliary lens increases working distance and allows for better visibility in narrow, deep-lying approaches.



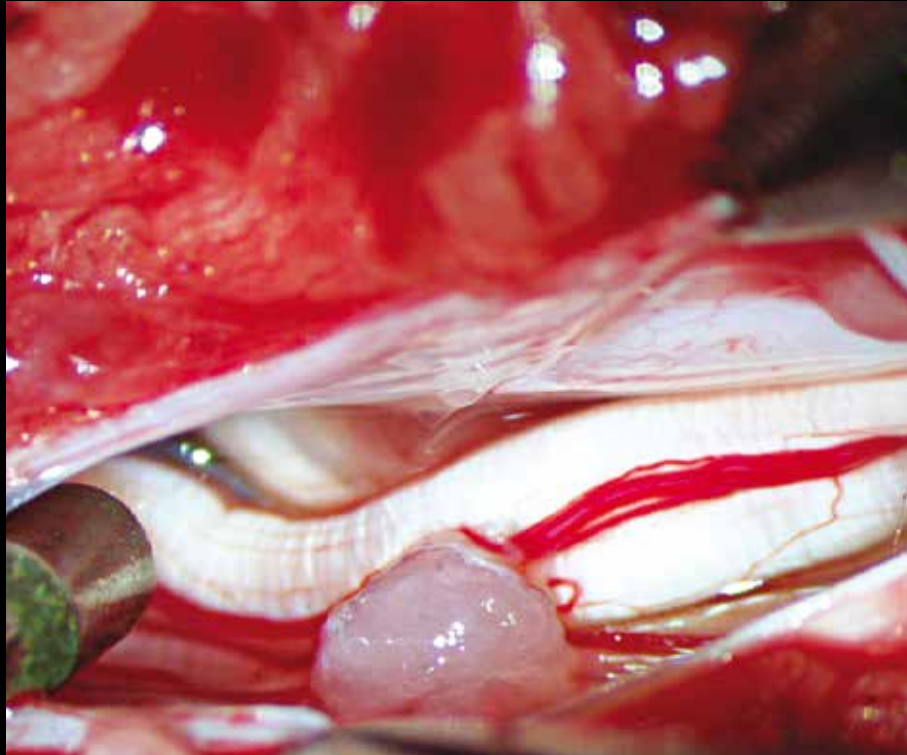
The 15" TFT monitor allows for all OR staff – assistant, nurse or student – to follow the procedure.



MEDIALINK™ 100 boosts the efficiency of image and video data management during daily clinical use.

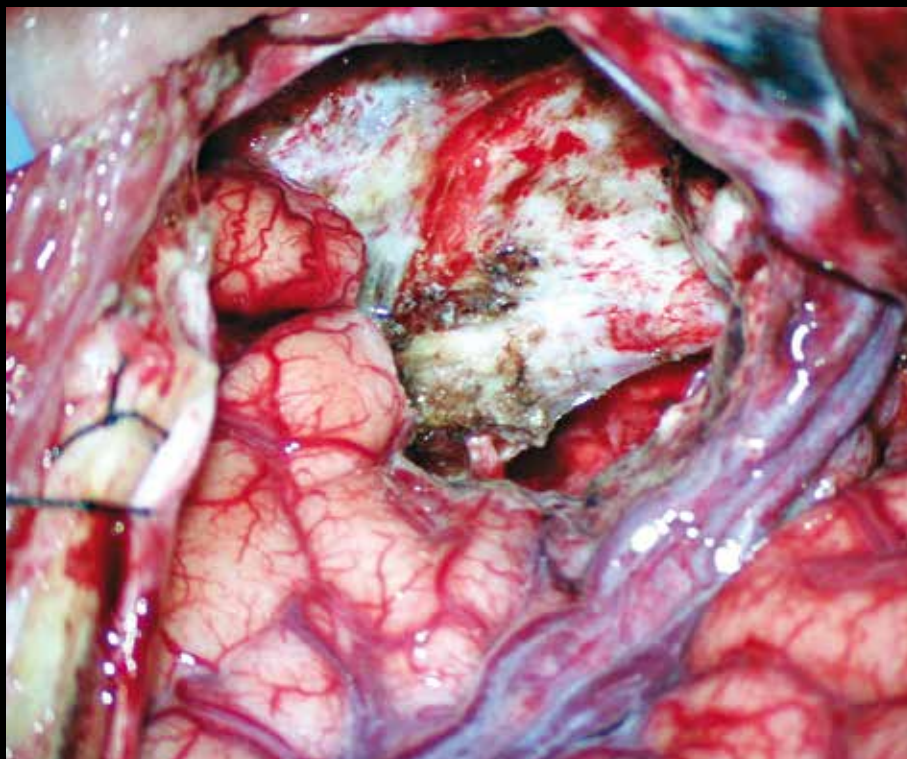
All-rounder

Serving your surgical discipline



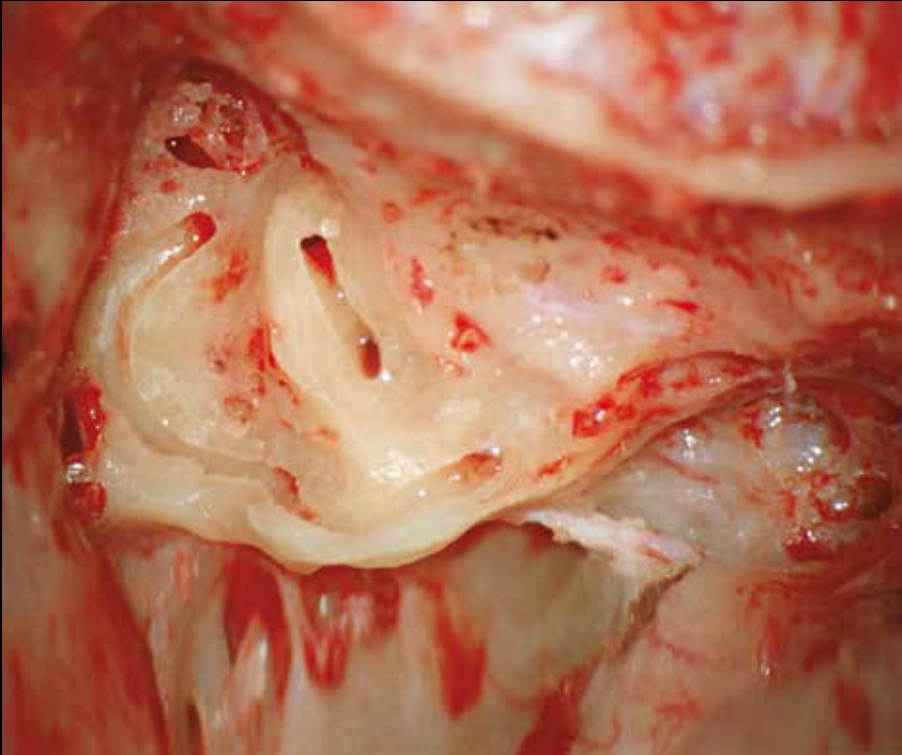
Spine Surgery

*Courtesy of Barrow Neurological Institute
St. Joseph's Hospital and Medical Center
Phoenix, Arizona, USA*



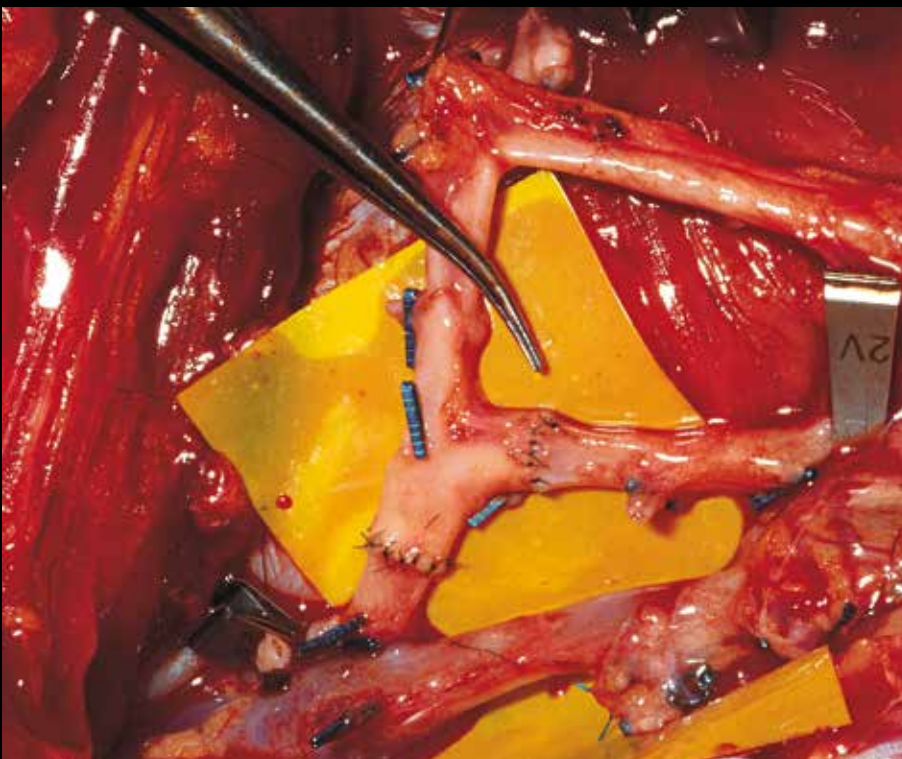
Neurosurgery

*Courtesy of Barrow Neurological Institute
St. Joseph's Hospital and Medical Center
Phoenix, Arizona, USA*



ENT

Courtesy of Professor emeritus Atsushi Komatsuzaki, Tokyo Medical and Dental University School of Medicine, Japan



P&R Surgery

Courtesy of St.-Elisabethen-Krankenhaus Ravensburg, Germany

Technical Specifications

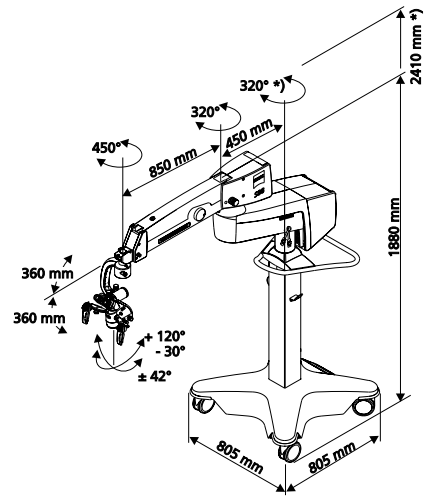
S88 / OPMI Vario from ZEISS

Magnification	Motorized ZEISS zoom, 1:6 ratio and adjustable via handgrip or foot control panel
Focusing (Varioskop®)	Internal, motorized, continuously variable, adjustable via handgrip or foot control panel
Working range	- 200–415 mm - 210–535 mm with auxiliary lens (optional)
Main binocular tube	- 180° Tiltable tube, f = 170 mm, 10x or 12.5x widefield eyepieces - Foldable tube f170/f260, including PROMAG™ function for additional 50% magnification and integrated rotate function (optional)
Illumination	Superlux® 180 for main and backup illumination: 180 W xenon lamp with daylight color temperature, backup lamp in fast-action lamp changer
Rated voltage	115 / 230 V ± 10%
Rated frequency	50–60 Hz
Power consumption	115 V ± 10% 230 V ± 10%
Circuit breaker	Automatic
Interface for micromanipulator	Available (optional)

Technical Data

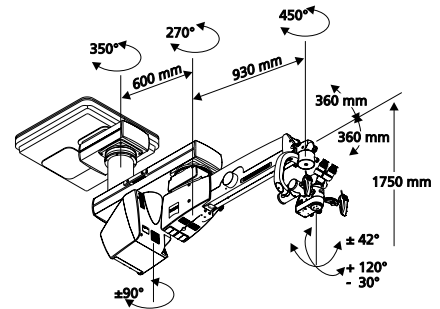
Suspension systems

S88 Floor Stand Rigid Column: 1880 mm
 Lifting Column: 1880–2410 mm

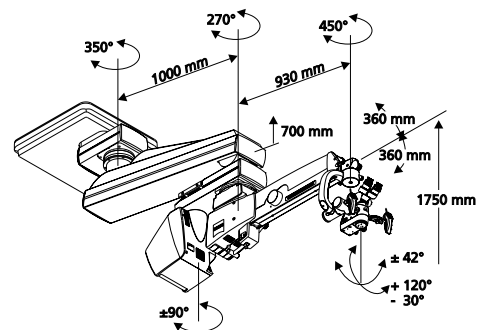


* with Lifting Column

S81 Ceiling Mount Fixed Height Column:
 approx. 225 kg (with OPMI)

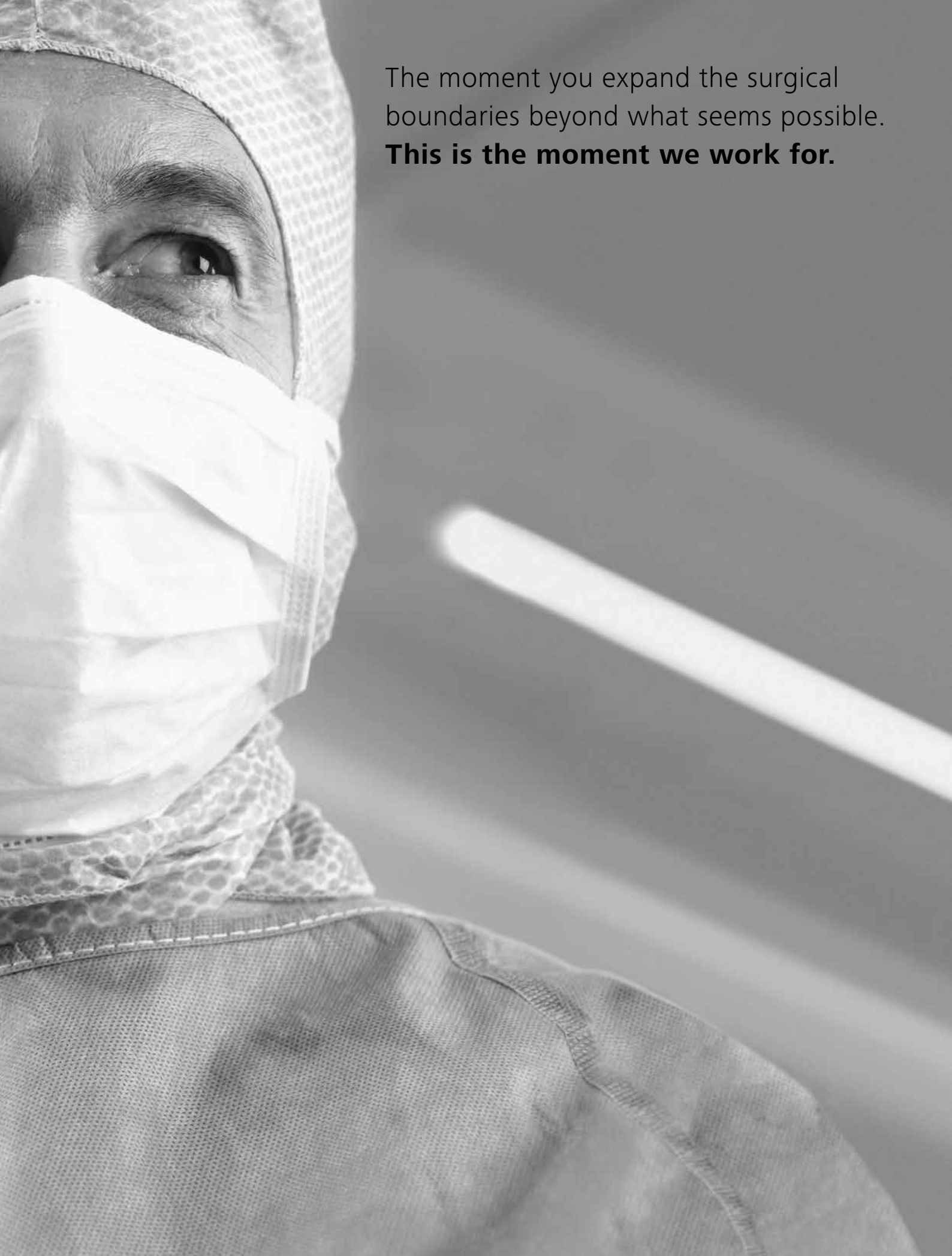


S8 Ceiling Mount Height adjustable Column:
 approx. 250 kg (with OPMI)





// MICROSURGERY
MADE BY ZEISS



The moment you expand the surgical
boundaries beyond what seems possible.
This is the moment we work for.