



T20⁺
OPERATING
TABLE

Quality & performance you
can trust, completely





T20⁺

THE T20⁺ FROM ESCHMANN

In terms of quality and reliability Eschmann operating tables are acknowledged as being second to none, the very best in medical engineering technology for over 100 years – our assurance for your complete confidence.

The Eschmann philosophy is one of working closely with the people who matter the most - the surgical clinicians and operating theatre professionals who use our world class products. This close cooperation allows us to develop a range of operating tables featuring a host of benefits that consistently exceed the exacting demands required in today's operating theatre environment.



Contents

Features



Bases



Control



Imaging



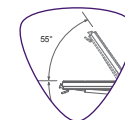
Positioning



Accessories



Dimensions





T20⁺

FEATURES & BENEFITS



Easy adjustment

Smooth and easy adjustment of head and leg sections with just one hand. Automatic self-locking mechanism ensures patient safety at all times.



Easy clean tabletop

Acrylic capped ABS tabletop prevents fluid ingress, is easy to clean, impact resistant and hard wearing.



Secure mattress fixings

Mushroom caps provide a simple secure fixing for mattresses, without the need for Velcro, allowing them to be easily cleaned.



Easy configuration

Head and leg sections can be easily and quickly changed using the 2-stage lock and release system allowing multiple configuration options.



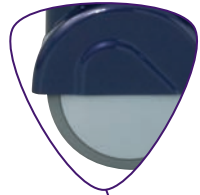
Built-in Override Control

A standby control panel is located on the top of the column. This enables full use of the table in the event of handset loss.



T20⁺

BASE FEATURES



Large castors
Large castors allow easy 360° mobility



Power protection
The integral back-up battery provides protection in the unlikely event of main battery failure.

Rear profile



'm' base brake system

Easily operated, the 3 position brake system enables the parallel locking of the front wheels to make it easy to push the table in a straight line whilst steering from the brake (head) end. In 'Castor' mode the table wheels are free to rotate 360° making it extremely easy to manoeuvre. In brake mode all four wheels lock to ensure optimum stability.



'a' base

The 'a' base offers a lower profile base with a slightly smaller footprint with a foot brake at either end of the table.

'a' base rear profile





T20⁺

TABLE CONTROL



Built-in override control

A standby control panel is located on the top of the column. This enables full use of the table in the event of handset loss.



Intuitive control

Lightweight, easy to use, corded handset can be conveniently hooked over the side bars or at the end of the table for immediate access. The handset also features battery status indicators.

HANDSET OPERATION

Intuitive, clear control system

Trendelenburg



Reverse Trendelenburg

Height Down



Height Up

Tilt Left



Tilt Right

Break Down



Break Up

Traverse Cranially



Traverse Caudally

Extension



Flexion

Auto level



Main battery & back-up battery indicators



IMAGING FLEXIBILITY



Exceptional imaging

The T20⁺ offers outstanding imaging access and functionality, with a full length X-ray cassette tunnel accessible from either end, 250mm traversing tabletop and interchangeable head and leg sections, allowing unobstructed C-arm access in the most extreme table configurations.

Imaging from head to toe
Supine position with footrest/extension, head section removed for increased imaging access.



Imaging from head to lower body
Supine position in standard configuration, patient's head positioned at leg end.





TRAVERSE & IMAGING SPECIFICATIONS

The 250mm traverse and height range of 670-1070mm allows optimum imaging access for C-arm and X-ray imaging systems. The full length radiolucent X-ray tunnel allows the use of an X-ray cassette through the full length of the operating table.



X-ray cassette tunnel
The full length X-ray radiolucent cassette tunnel is accessible from either end of the table.

Table extended to full height (1070mm) and full traversed cranially



Table fully lowered (670mm) and traversed caudally



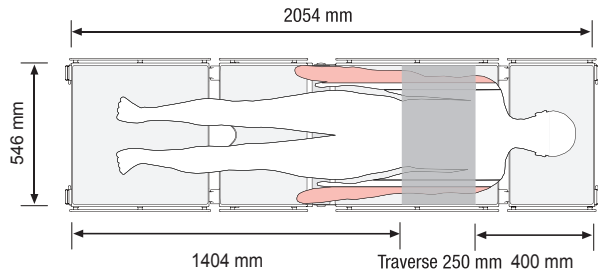


T20⁺

Standard configuration, traversed caudally



Standard configuration, traversed caudally



Outside of X-ray area

X-ray via cassette tunnel, and C-arm imaging

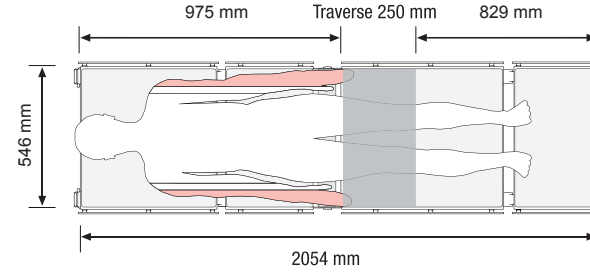
X-ray via cassette tunnel only

Model height 172 cm (5'8")

Standard configuration, traversed cranially



Standard configuration, traversed cranially



Outside of X-ray area

X-ray via cassette tunnel only

X-ray via cassette tunnel, and C-arm imaging

Model height 172 cm (5'8")

PATIENT POSITIONING WITH THE T20⁺



The Eschmann T20⁺ operating table can be used for a multitude of surgical applications using our comprehensive range of table accessories.

The navigation on the page opposite, provides a quick link to patient positioning illustrations for a number of surgical applications for the T20⁺ with applicable accessories.



General surgery



Gynaecology, obstetrics and Urology



Spinal surgery



Shoulder surgery



Vascular and Cardiothoracic



Neurosurgery



Ophthalmic/ENT and Maxillofacial

GENERAL SURGERY



Outstanding performance

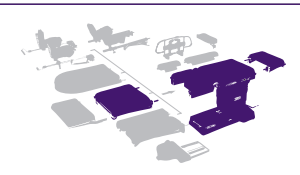
The T20⁺ offers outstanding options for patient positioning in all general surgery applications. The table's flexibility combined with a comprehensive range of Eschmann accessories allow theatre staff to achieve a multitude of surgical positions.

Supine position

Head and leg sections interchanged with tabletop traversed caudally. C-arm access from lower body to head. Positioning suitable for cholecystectomy and operative cholangiogram.



Standard head and leg sections, with no additional accessory attachments.





Right lateral position

The tabletop is traversed caudally in extension with the head and leg sections interchanged. Access at the table break for C-arm imaging.



Standard head and leg sections, with no additional accessory attachments.



Reverse Trendelenburg with footrest/extension

Footrest/extension positioned at leg end using direct on drop handle clamps. Positioning suitable for upper GI (Gastro Intestinal) and head and neck surgery.



Standard configuration with footrest/extension (TA-020-3037) with direct on drop handle clamps (TA-020-1084) x 2.





Bariatric positioning

Positioning for bariatric surgery using bariatric direct placement legholders and bariatric thigh straps.



Standard configuration, with bariatric direct placement legholders [DPLH] (81-269-07), 2 x bariatric DPLH clamps (81-269-78), bariatric thigh straps (81-272-84).



Bariatric positioning with lateral tilt

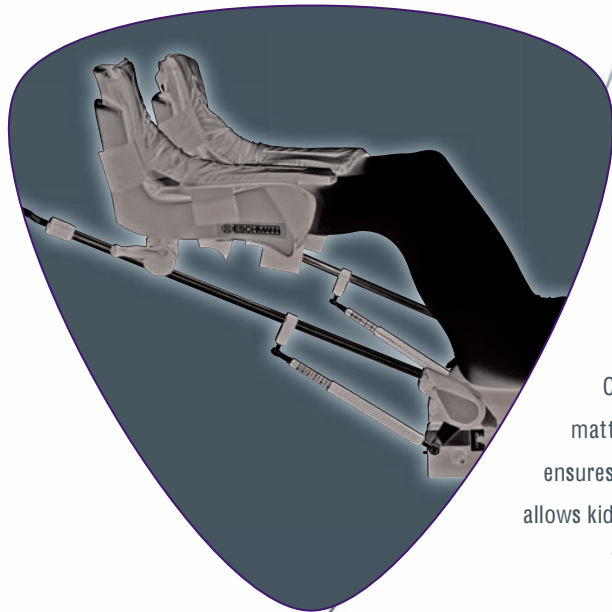
Positioning for bariatric surgery with left lateral tilt using bariatric direct placement legholders and thigh straps.



Standard configuration, with bariatric direct placement legholders [DPLH] (81-269-07), 2 x bariatric DPLH clamps (81-269-78), bariatric thigh straps (81-272-84).



GYNAECOLOGY, OBSTETRICS AND UROLOGY



Superior surgical access

The T20⁺ provides excellent C-arm and surgeon access. The mattress span over the table break ensures excellent patient support and allows kidney break positioning without the need for manual handling.

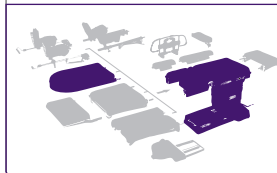
Single button operation allows smooth transition of patient into extension without the need for additional accessories.

Supine position

Lightweight leg in preparation for lithotomy positioning.



Lightweight leg (TA-050-1100),
with head and leg sections
moved.





Lithotomy positioning using articulated leg sections

Tabletop in neutral position relative to column with Direct Placement Leg Holders, head section removed. C-arm access for ureteric stenting, kidney stone retrieval and lithotripsy.



Direct Placement Leg Holders (81-272-10), with head and leg sections removed.



Lithotomy position in Trendelenburg

Tabletop in Trendelenburg position with Direct Placement Leg Holders, head section removed. C-arm access for ureteric stenting, kidney stone retrieval and lithotripsy.



Direct Placement Leg Holders (81-272-10), with head and leg sections removed.





Lithotomy position in Trendelenburg

Tabletop in Trendelenburg position with Articulating Legs, head section removed.
C-arm access for ureteric stenting, kidney stone retrieval and lithotripsy.



Articulating legs (81-620-03),
with head and leg sections
removed.



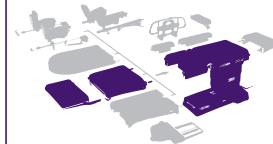
Left lateral position

Tabletop traversed caudally in extension to provide C-arm access to urinary tract.
Positioning suitable for nephrectomy procedures.



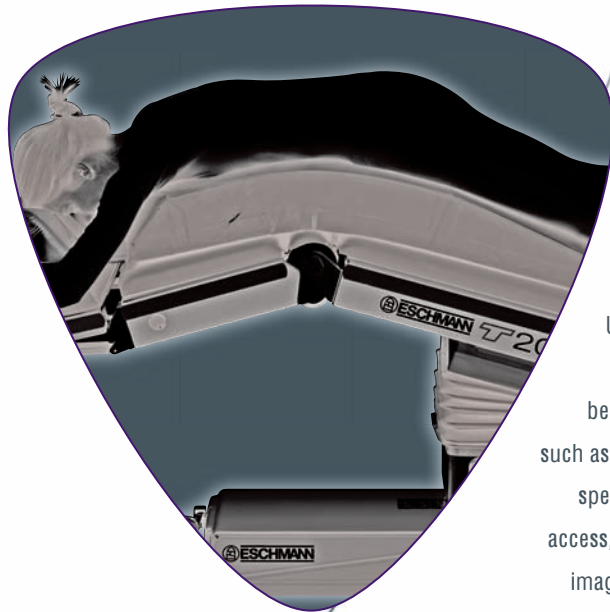
Extension control
Table breaks anatomically
with a single button touch

Standard configuration with
footrest/extension (TA-020-3037),
head section removed.



Trendelenburg control
Highlighted for
easy identification
in an emergency

SPINAL SURGERY



Specialist performance
Using a few simple accessories the flexibility of the T20+ can be used for specialist procedures such as spinal surgery. While enabling specialist surgical positioning and access, the table still allows excellent imaging access during procedures.

Prone position

Head and leg sections interchanged, top traversed caudally with laminectomy support pad in situ. C-arm access from head to sacral region.



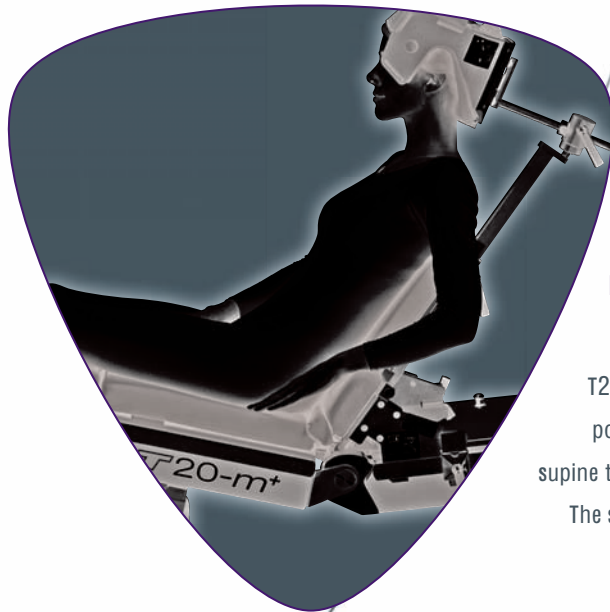
Standard head and leg sections, with Montreal mattress (81-569-13), and Prone headrest gel pad (81-462-13).

Prone position

Head section removed with table-top in extension. C-arm access from feet to sacral region.



SHOULDER SURGERY



Power assisted movement

The easy adjustment of the T20 shoulder positioner provides power-assisted movement, from supine to upright position for surgery. The sculpted head support ensures optimum manoeuvrability and patient comfort.

Seated Position

Powered shoulder positioner secured to short trunk section of the table by a double clamp. Secures easily to table sidebars.



Leg section reversed and head section removed, with Shoulder Positioner (81-267-71), crown forehead gel pad (81-267-93).





Seated position with shoulder supports removed

Removal of the shoulder supports allows the manipulation of the shoulder.

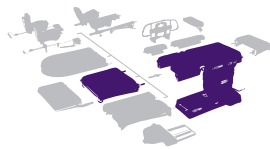


Seated position

With the shoulder supports removed, the surgeon has clear line of sight and unobstructed access to the shoulder area.



Leg section reversed and head section removed, with T20 Shoulder Positioner (81-267-71), and crown forehead gel pad, (81-267-93).



- Will support patient weight of up to 220kg
- Full range of movement on head support including ability to adjust laterally away from surgical site
- Sculpted head support for improved patient comfort and support
- Additional shorter head support column provided for configuration for smaller patients

VASCULAR & CARDIOTHORACIC



Complete control
The design and performance of the T20⁺ ensures optimum imaging access during vascular and cardiothoracic procedures.

The interchangeable head and leg sections and footrest/extension allow the surgeon complete control over where the patient is positioned on the tabletop, ensuring maximum imaging and surgical access.

Supine with footrest/extension

Head section removed, top traversed caudally. C-arm access from head to toe.



Standard configuration with footrest/extension (TA-020-3037), head section removed.





Supine position

Table fully traversed cranially. Position suitable for general and cardiothoracic procedures.



Standard head and leg sections, with no additional accessory attachments.

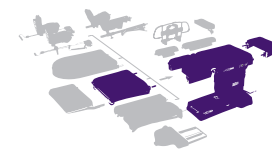


Supine position

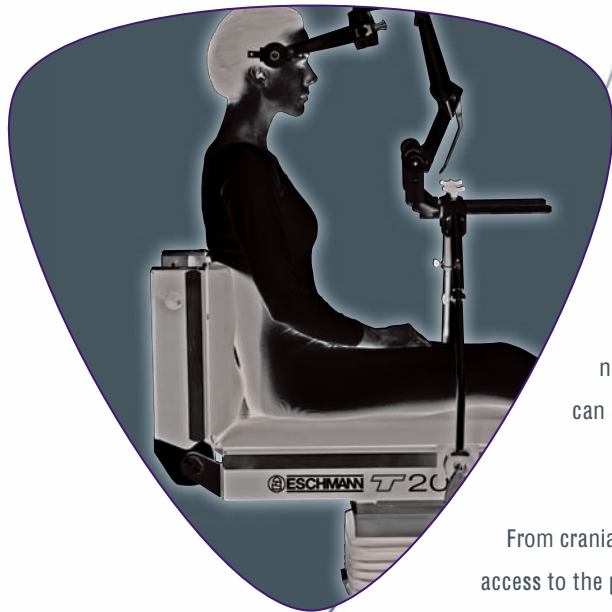
Table fully traversed caudally. Position suitable for general and cardiothoracic procedures.



Standard head and leg sections, with no additional accessory attachments.



NEUROSURGERY



Secure positioning

In conjunction with the Doro® neurosurgical system, the T20⁺ can accommodate a wide range of neurosurgery procedures.

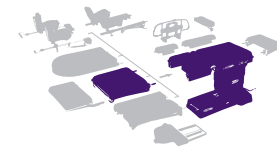
From cranial and neck surgery through to access to the posterior fossa in fully upright seated position, the T20⁺ allows superior access to the surgeon and attending theatre staff.

Supine position with neurosurgical skull clamp

The top is traversed cranially. Positioning with the Doro® skull clamp ensures the head is secured for cranial and neck surgery.



Position using standard sections with Doro® base unit (81-594-04), swivel adapter (81-590-34) and skull clamp (81-590-56).





Prone position

Patient positioned using neurosurgery headrest with tabletop traversed caudally. Positioning suitable for neck surgery.



Position using standard sections with Doro® base unit (81-594-04), swivel adapter (81-590-34) and horse shoe headrest (81-591-11).



Supine position

Patient positioned using neurosurgery headrest with tabletop traversed caudally. Positioning suitable for neck and cranial surgery.



Position using standard sections with Doro® base unit (81-590-01), swivel adapter (81-590-34) and horse shoe headrest (81-591-11).





Neurosurgical chair position

Leg section reversed and head section removed. Table break positioned at a 90° angle to allow access to the posterior fossa. The Doro® skull clamp and attachment bar are used to keep the patient secured in position.



Leg section reversed with cross bar adapter (81-593-31), base unit (81-590-01), swivel adapter (81-590-34) and skull clamp (81-590-56).



NEUROSURGERY ACCESSORY OVERVIEW

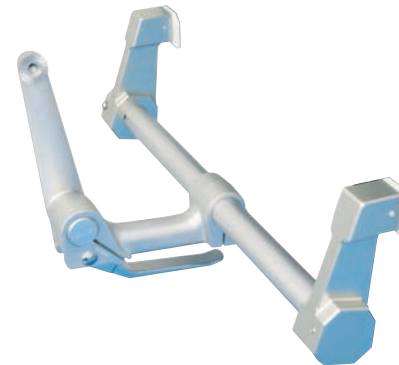
- 81-593-31 Cross bar adapter
- 81-590-01 Doro® base unit
- 81-590-34 Doro® Swivel adapter
- 81-590-56 Doro® Skull clamp
- 81-591-11 Doro® Horse shoe headrest
- 81-594-04 T Series base unit for Doro® system



81-591-11

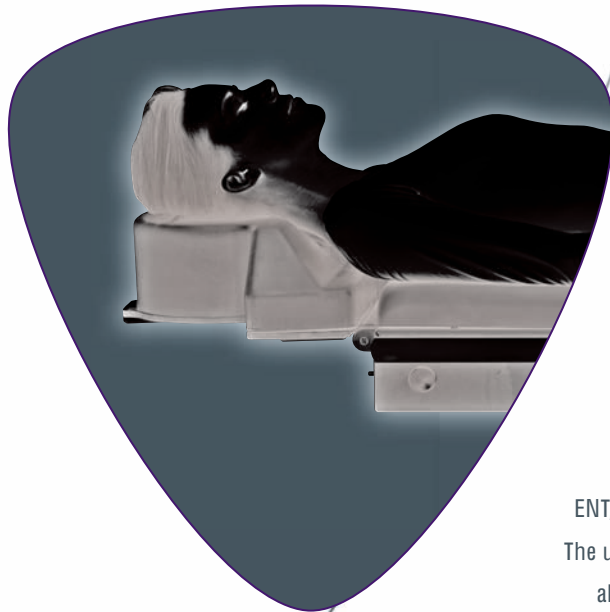


81-590-56



81-594-04

OPHTHALMIC / ENT & MAXILLOFACIAL



Stability and performance

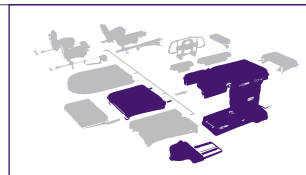
The T20+ provides excellent stability for the most demanding Ophthalmic, ENT, and Maxillofacial procedures. The use of the ophthalmic headrest allows excellent surgical access.

Supine position

Ophthalmic/ENT headrest positioned in lower trunk section and tabletop traversed caudally. Positioning suitable for Ophthalmic, ENT and Maxillofacial procedures.



Leg section reversed with ENT/Ophthalmic headrest (81-466-40) fitted to the leg section of the table.





T20⁺

Supine position

Tabletop traversed caudally with patient's head positioned on the leg flap to allow unobstructed surgeon access to the head area. Positioning suitable for Ophthalmic and ENT procedures.



Standard head and leg sections, with no additional accessory attachments.



Supine position

Tabletop traversed caudally with head and leg sections interchanged to allow unobstructed surgeon access to the head area. Positioning suitable for Ophthalmic and ENT procedures.



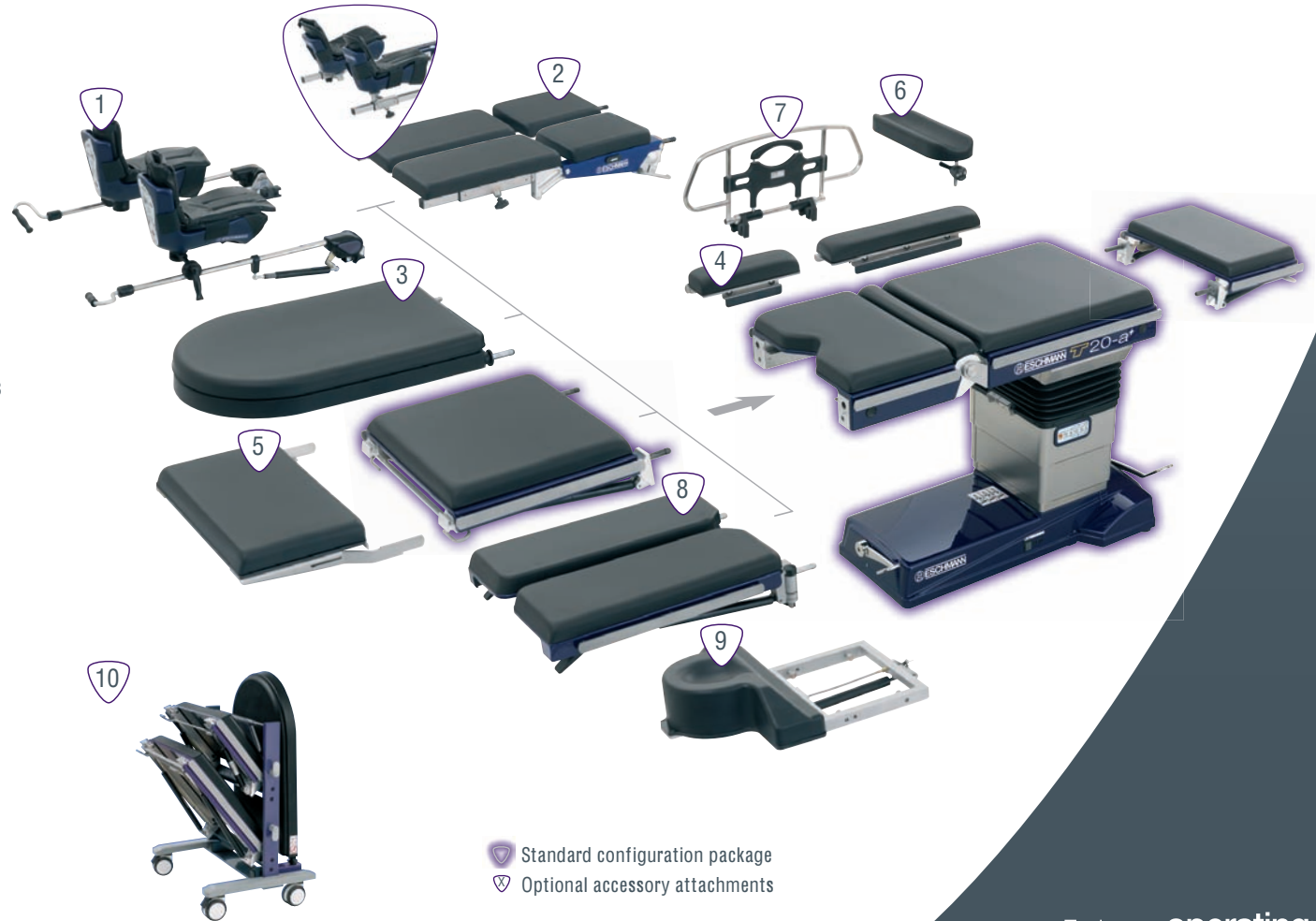
Standard head and leg sections, with no additional accessory attachments.





CONFIGURATION FLEXIBILITY

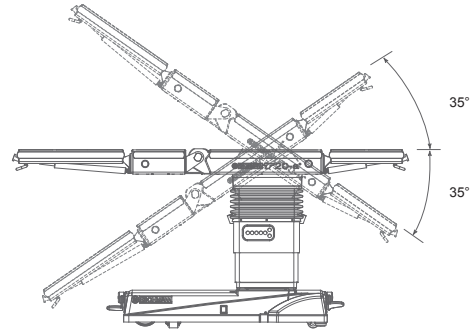
1. Direct placement legholders - 81-272-10
Bariatric direct placement legholders - 81-269-07
(Requires 2 x bariatric DPLH clamps - 81-269-78)
2. Articulated leg sections with boots & pads
81-620-03 - With boots and pads
3. Lightweight keg section Kit - TA-030-1055
Lightweight leg section with 25mm mattress.
Actual weight is just 4.5kgs.
4. Standard and short width extenders (UK side bars)
Extends tabletop from 600 to 800mm.
TA-020-2033 - Standard (600mm) with 50mm mattress
TA-020-2035 - Short (350mm) with 50mm mattress
5. Footrest/Extension - TA-020-3037
Supplied with 50mm mattress (fits UK side bars)
6. Armboard - 81-300-19
(Requires drop handle direct on clamp TA-020-1084)
7. Cot sides - 81-462-77
8. Divided leg section - TA-030-3017
Single handed adjustment for flexion/extension
45° maximum abduction from mid line in 15° increments
Supplied with 50mm mattress (UK Side Bars)
9. Ophthalmic/ENT Headrest - 81-466-40
10. T20 Series accessory trolley - TA-040-1120



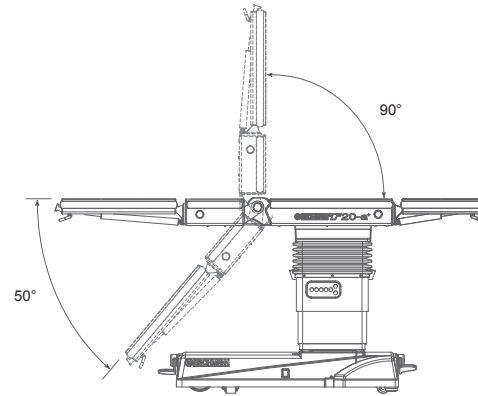
-  Standard configuration package
-  Optional accessory attachments



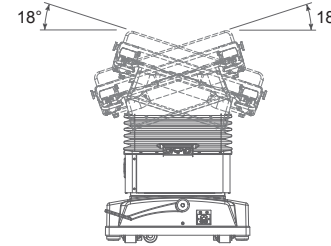
DIMENSIONS & MOVEMENTS



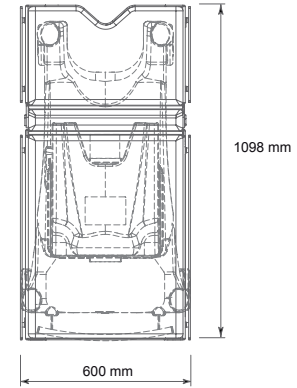
Trendelenburg and reverse Trendelenburg movements



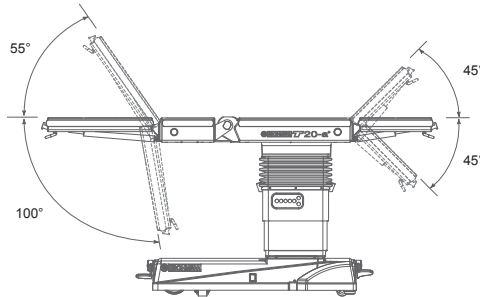
Flexion/extension movements



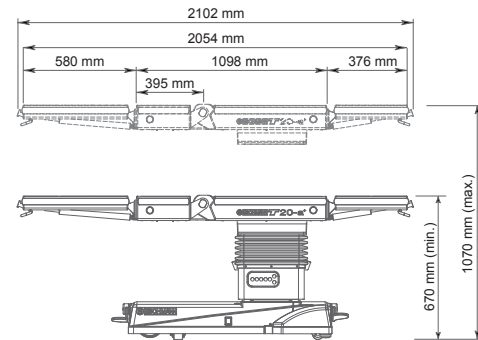
Lateral tilt movements



Tabletop dimensions



Head and leg flap movements



Length and height dimensions



GENERAL SPECIFICATION

- Large wheels for easy table positioning and complete 360° mobility ('m' base)
- Full length radiolucent top with integral X-ray cassette tunnel
- Capable of 450kg maximum patient weight ¹
- Slimline column offset relative to tabletop and base
- 600mm wide top plus optional width extenders ²
- Seamless, "Velcro-free" mattresses
- Mattress spans the break for improved patient support
- Covers are made of impact resistant acrylic capped ABS
- Battery status indicators on handset and table base
- Powered 250mm traversing top
- Interchangeable head and leg sections
- Tabletop break offset from column
- RS232 port for system analysis
- 670-1070mm height range ³

¹ See Instructions for Use (table positions & safe loading section)

² All dimensions are nominal

³ Measurements exclude mattress

ORDERING INFORMATION

- T20-106-2101** The T20-a+ (a-base) operating table complete with mattress, corded handset, UK mains cable and UK side bars.
- T20-122-2101** The T20-a+ (a-base) operating table complete with mattress, corded handset, Euro mains cable and Euro side bars.
- T2M-124-2101** The T20-m+ (m-base) operating table complete with mattress, corded handset, UK mains cable and UK side bars.
- T20-113-2101** The T20-a+ (a-base) operating table fitted with divided leg sections, complete with 50mm mattress, corded handset, UK mains cable and UK side bars.
- T2M-145-2101** The T20-m+ (m-base) operating table fitted with divided leg sections, complete with 50mm mattress, corded handset, UK mains cable and UK side bars.

Euro and US side bar variants available. Please contact your local Eschmann representative for further details.



T20⁺

GENERAL INFORMATION

Service

Eschmann products are supported by a worldwide network of fully trained engineers, offering high quality Eschmann spare parts. For further information on the range of Service Contracts available, please contact your local Eschmann representative.

Shipping Information

Net weight 279kg (with mattress)

Gross weight 327kg

Export case dimensions 170 x 80 x 120cm

Imagery in this publication has been taken to illustrate the operating table movements and as such does not constitute a guide to correct patient positioning.

All T20 operating tables are CE marked in compliance with the Medical Device Directive 93/42/EEC



All products are latex free.

Innovation. Technology. Confidence.



ESCHMANN

Eschmann Holdings Ltd, Peter Road, Lancing, West Sussex, BN15 8TJ.

Tel: +44 (0) 1903 753322

Fax: +44 (0) 1903 875789

www.eschmann.co.uk

The details given in this publication are correct at time of going to press. The 'Eschmann' name and logo are trade marks of Eschmann Holdings Ltd. 'Eschmann Equipment' is a trading name of Eschmann Holdings Ltd.