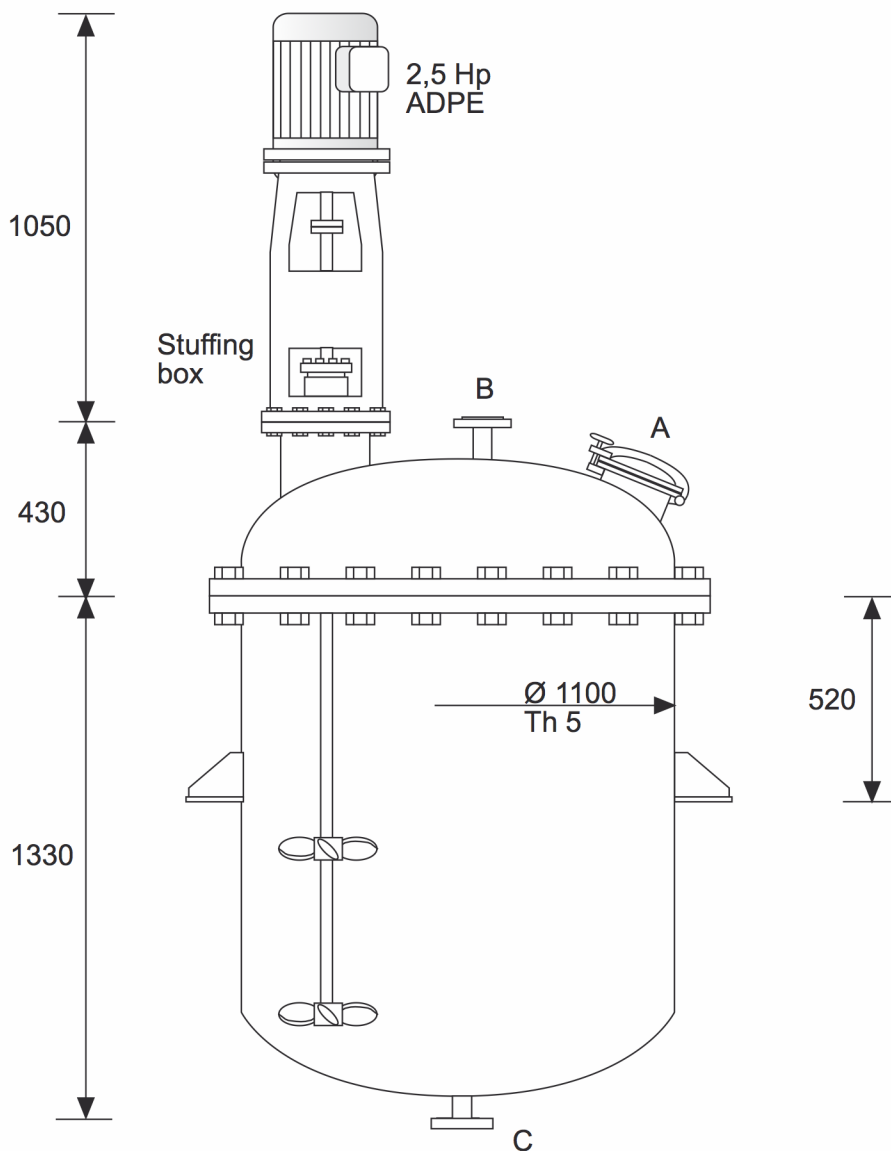


# COPRINOX

## AGITATED VESSEL

Code n° **RA 013 0535**

Location ref: 91 T2



<b>CAPACITY LITERS</b> <u>1.300</u>	<b>SHELL SIDE</b>	<b>JACKET/COIL SIDE</b>	
Design Pressure KG/cm2 Design Temperature °C Material		AISI 316	
ANCC or ISPESL certification: <u>NOT</u> Availability in stock n° <u>01</u> units	<b>NOZZLE DIMENSIONS</b>		
<b>MANUFACTURER:</b> _____	<b>Pos</b>	<b>Service</b>	<b>Size inch.</b>
<input checked="" type="checkbox"/> USED <input type="checkbox"/> USED RECONDITIONED <input type="checkbox"/> UNUSED	A	Hand hole	10"
	B	Product inlet	1"1/2
	C	Product outlet	1"1/2
	D		
	E		
<b>WEIGHT (approx) Kg</b> <u>1000</u>	<b>NOTE</b> _____ _____ _____		