



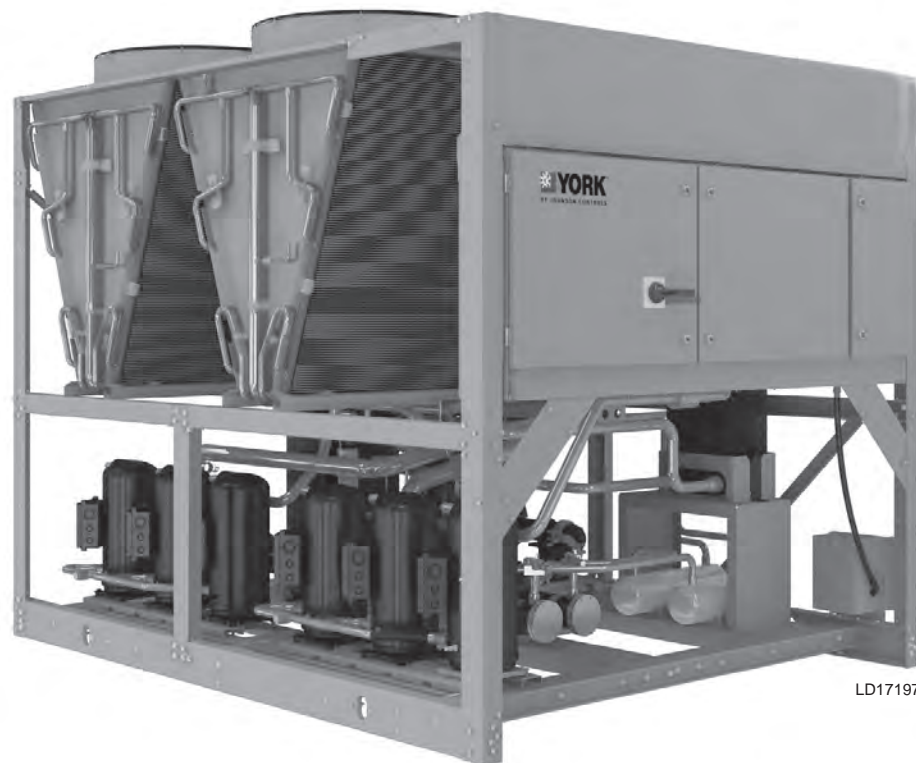
AIR-COOLED SCROLL CHILLERS

REPLACEMENT PARTS

Supersedes: 150.72-RP6 (118)

Form 150.72-RP6 (1018)

MODEL YLAA0058 - YLAA0230 DESIGN SERIES D OR F DEVELOPMENT LEVEL B WITH BRAZED PLATE HEAT EXCHANGER



R-410A
58 - 230 TON
60 Hz



Issue Date:
October 10, 2018

© 2018 Johnson Controls. All rights reserved.



IMPORTANT!

READ BEFORE PROCEEDING!

GENERAL SAFETY GUIDELINES

This equipment is a relatively complicated apparatus. During rigging, installation, operation, maintenance, or service, individuals may be exposed to certain components or conditions including, but not limited to: heavy objects, refrigerants, materials under pressure, rotating components, and both high and low voltage. Each of these items has the potential, if misused or handled improperly, to cause bodily injury or death. It is the obligation and responsibility of rigging, installation, and operating/service personnel to identify and recognize these inherent hazards, protect themselves, and proceed safely in completing their tasks. Failure to comply with any of these requirements could result in serious damage to the equipment and the property in

which it is situated, as well as severe personal injury or death to themselves and people at the site.

This document is intended for use by owner-authorized rigging, installation, and operating/service personnel. It is expected that these individuals possess independent training that will enable them to perform their assigned tasks properly and safely. It is essential that, prior to performing any task on this equipment, this individual shall have read and understood the on-product labels, this document and any referenced materials. This individual shall also be familiar with and comply with all applicable industry and governmental standards and regulations pertaining to the task in question.

SAFETY SYMBOLS

The following symbols are used in this document to alert the reader to specific situations:



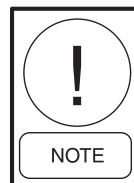
Indicates a possible hazardous situation which will result in death or serious injury if proper care is not taken.



Identifies a hazard which could lead to damage to the machine, damage to other equipment and/or environmental pollution if proper care is not taken or instructions are not followed.



Indicates a potentially hazardous situation which will result in possible injuries or damage to equipment if proper care is not taken.



Highlights additional information useful to the technician in completing the work being performed properly.



External wiring, unless specified as an optional connection in the manufacturer's product line, is not to be connected inside the control cabinet. Devices such as relays, switches, transducers and controls and any external wiring must not be installed inside the micro panel. All wiring must be in accordance with Johnson Controls' published specifications and must be performed only by a qualified electrician. Johnson Controls will NOT be responsible for damage/problems resulting from improper connections to the controls or application of improper control signals. Failure to follow this warning will void the manufacturer's warranty and cause serious damage to property or personal injury.

CHANGEABILITY OF THIS DOCUMENT

In complying with Johnson Controls' policy for continuous product improvement, the information contained in this document is subject to change without notice. Johnson Controls makes no commitment to update or provide current information automatically to the manual owner. Updated manuals, if applicable, can be obtained by contacting the nearest Johnson Controls Service office or accessing the Johnson Controls Chillers Knowledge Exchange website at <https://docs.johnsoncontrols.com/chillers/>.

Operating/service personnel maintain responsibility for the applicability of these documents to the equipment.

If there is any question regarding the applicability of these documents, the technician should verify whether the equipment has been modified and if current literature is available from the owner of the equipment prior to performing any work on the chiller.

CHANGE BARS

Revisions made to this document are indicated with a line along the left or right hand column in the area the revision was made. These revisions are to technical information and any other changes in spelling, grammar or formatting are not included.

HOW TO USE RENEWAL PARTS MANUALS

Johnson Controls offers an assortment of replacements parts for Johnson Controls and YORK units. Each replacement part is manufactured and fitted for a specific model. This Replacement Parts Manual is for standard Johnson Controls units. Chiller units built with special options, modifications, or conversions are not covered in this manual.

This Replacement Parts Manual provides Johnson Controls chiller replacement parts by part numbers, descriptions, quantities and drawing figures. To determine the correct replacement part, locate the item on drawing figure and refer to the parts list for the part number, description and quantity.

NOTE: Provide a unit model number, unit serial number and part number when requesting a quotation or placing an order. Failure to include this information may delay processing of your request.

Model and Serial Number Locations:

- **Unit** - Namplate on side of Control Panel
- **Compressor** - Namplate on Compressor Housing
- **VSD** - Namplate on VSD Panel

Contact the following sources to order parts.

For North America, contact the following:

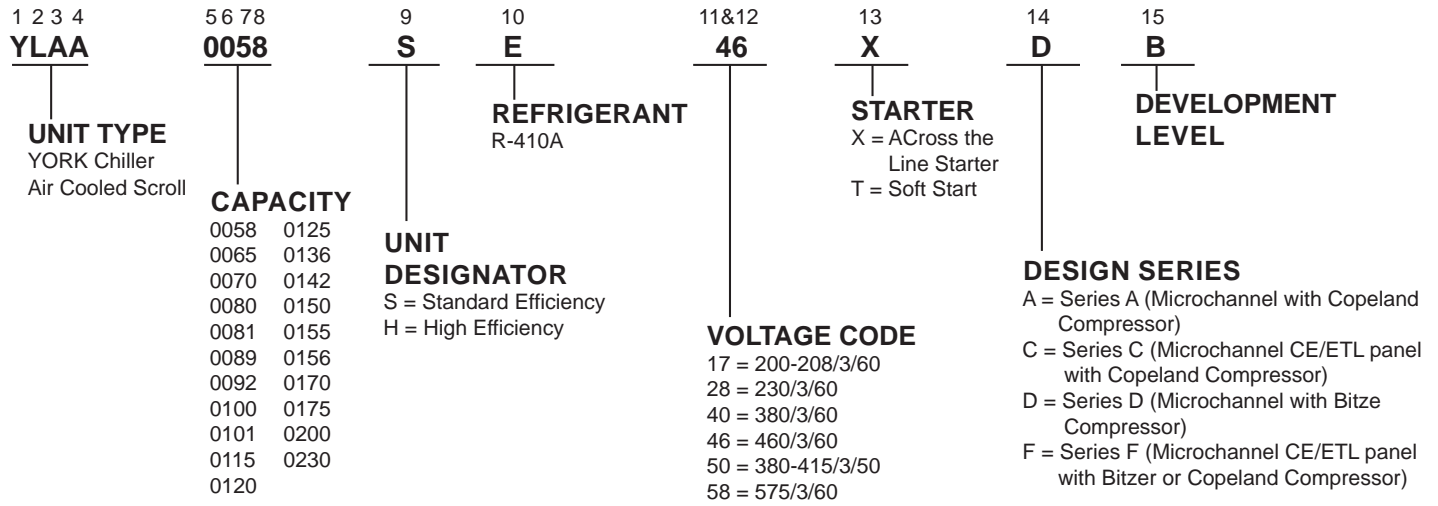
- YORK Chiller Parts Center Baltimore
Telephone: +1 800 932 1701
Email: Be-BaltimorepartsCP@jci.com
- YORK Chiller Parts Center Houston
Telephone: +1 833 278 7991
Email: chillerpartsHouston@jci.com
- YORK Chiller Parts Center NOLA
Telephone: +1 833 283 3738
Email: chillerpartsNOLA@jci.com
- YORK Chiller Parts Center Toronto
Telephone: +1 905 488 3642 or +1 905 488 3641
Email: chillerpartstoronto@jci.com

For parts availability and ordering YORK HVAC Parts within North America and Europe, use EasyParts on Solution Navigator:

https://www.solutionnavigator.com/SN_EasyParts

For ordering parts within Asia, use <https://jcibeasia.my.salesforce.com> or email BTS-SDC-ServicePortal@JCI.com

NOMENCLATURE



NOTE: MODEL YLAA0230 USES COPELAND COMPRESSORS, ALL OTHER MODELS USE BITZER.

LIST OF TABLES

TABLE 1 - Complete Pin Number Description.....	8
TABLE 2 - Base Assembly YLAA0058 - YLAA0120.....	12
TABLE 3 - Base Assembly YLAA0125 - YLAA0230.....	15
TABLE 4 - Compressor Part Numbers Models.....	18
TABLE 5 - System Piping Standard Valves (Pin 32 = X) (YLAA0058, YLAA0065, YLAA0081).....	21
TABLE 6 - System Piping EEV (Pin 32 = E) (YLAA0058, YLAA0065, YLAA0081).....	22
TABLE 7 - System Piping Standard Valves (Pin 32 = X) (YLAA0070, YLAA0080, YLAA0089, YLAA0092).....	25
TABLE 8 - System Piping EEV (Pin 32 = E) (YLAA0070, YLAA0080, YLAA0089 - YLAA120).....	26
TABLE 9 - System Piping EEV (PIN 32 = E) (YLAA0125 - YLAA0155).....	28
TABLE 10 - System Piping EEV (Pin 32 = E) (YLAA0156 - YLAA0175).....	30
TABLE 11 - System Piping EEV (Pin 32 = E) (YLAA0200 & YLAA0230).....	32
TABLE 12 - System Piping Standard And EEV (Pin 32 =X, E) (YLAA0058 - YLAA0175).....	35
TABLE 13 - Cooler, Insulated.....	37
TABLE 14 - Condenser Coils.....	39
TABLE 15 - Relief Safety Devices.....	43
TABLE 16 - Fan Components, Standard Low Sound and Ultra Quiet Fans.....	44
TABLE 17 - Fan Components, High Air Flow Fans.....	45
TABLE 18 - Sensor Wiring Pin 32 = X (YLAA0058).....	46
TABLE 19 - Sensor Wiring Pin 32 = X (YLAA0065).....	47
TABLE 20 - 1-BDP Discharge Pressure Wiring Detail Pin 32 = X (YLAA0058, YLAA0065, YLAA0081).....	47
TABLE 21 - 2-BDP Discharge Pressure Wiring Detail Pin 32 = X (YLAA0058, YLAA0065, YLAA0081).....	48
TABLE 22 - Sensor Wiring Pin 32 = X (YLAA0081).....	48
TABLE 23 - Sensor Wiring Pin 32 = X (YLAA0070, YLAA0080, YLAA0089, YLAA0100, YLAA0101).....	49
TABLE 24 - 1-BDP Discharge Pressure Wiring Detail Pin 32 = X (YLAA0070, YLAA0080, YLAA0089, YLAA0100, YLAA0101).....	49
TABLE 25 - 2-BDP Discharge Pressure Wiring Detail Pin 32 = X (YLAA0070, YLAA0080, YLAA0089, YLAA0100, YLAA0101).....	50
TABLE 26 - Sensor Wiring Pin 32 = X (YLAA0092, YLAA0115, YLAA0120).....	50
TABLE 27 - Sensor Wiring Pin 32 = X (YLAA0125 - YLAA0175).....	51
TABLE 28 - 1-BDP Discharge Pressure Wiring Detail Pin 32 = X (YLAA0092, YLAA0115 - YLAA0175).....	51
TABLE 29 - 2-BDP Discharge Pressure Wiring Detail Pin 32 = X (YLAA0092, YLAA0115 - YLAA0175).....	52
TABLE 30 - Sensor Wiring Pin 32 = E (YLAA0058).....	52
TABLE 31 - Sensor Wiring Pin 32 = E (YLAA0065).....	53
TABLE 32 - 1-BDP Suction Pressure Wiring Detail Pin 32 = E (YLAA0058, YLAA0081).....	53
TABLE 33 - 1-BDP Suction Pressure Wiring Detail Pin 32 = E (YLAA0065).....	54
TABLE 34 - 2-BDP Suction Pressure Wiring Detail Pin 32 = E (YLAA0058, YLAA0065).....	54
TABLE 35 - Sensor Wiring Pin 32 = E (YLAA0070, YLAA0080, YLAA0089, YLAA0100, YLAA0101).....	55
TABLE 36 - 1-BDP Suction Pressure Wiring Detail Pin 32 = E (YLAA0070, YLAA0080, YLAA0089, YLAA0100, YLAA0101).....	55
TABLE 37 - 2-BDP Suction Pressure Wiring Detail Pin 32 = E (YLAA0070, YLAA0080, YLAA0089, YLAA0100, YLAA0101).....	56
TABLE 38 - Sensor Wiring Pin 32 = E (YLAA0081).....	56
TABLE 39 - 2-BDP Suction Pressure Wiring Detail Pin 32 = E (YLAA0081).....	57
TABLE 40 - Sensor Wiring Pin 32 = E (YLAA0092 - YLAA0125).....	57
TABLE 41 - Sensor Wiring Pin 32 = E (YLAA0136 - YLAA0175).....	58
TABLE 42 - 1-BDP Suction Pressure Wiring Detail Pin 32 = E (YLAA0092 - YLAA0175).....	58
TABLE 43 - 2-BDP Suction Pressure Wiring Detail Pin 32 = E (YLAA0092 - YLAA0175).....	59
TABLE 44 - Sensor Wiring Pin 32 = E (YLAA0200, YLAA0230).....	59
TABLE 45 - 1-BDP Suction Pressure Wiring Detail Pin 32 = E (YLAA0200, YLAA0230).....	60
TABLE 46 - 2-BDP Suction Pressure Wiring Detail Pin 32 = E (YLAA0200, YLAA0230).....	60
TABLE 47 - System Wiring Standard Valves (Pin 32 = X).....	61
TABLE 48 - System Wiring Standard Valves Panel Parts (Pin 32 = X).....	61
TABLE 49 - System Wiring Electronic Expansion Valves (Pin 32 = E) (Pin 20 = H, S, A, B).....	63

LIST OF TABLES (CONT'D)

TABLE 50 - System Wiring Electronic Expansion Valves Panel Parts (Pin 32 = E) (Pin 20 = H, S, A, B)	64
TABLE 51 - System Wiring Harness Details	67
TABLE 52 - Power Enclosure (Pin 14 = C or F)	73
TABLE 53 - Power Enclosure (Pin 14 = A or D)	75
TABLE 54 - Control Panel and Power Panel Identifiers For Low Sound and Ultra Quiet Fans.....	78
TABLE 55 - Control Panel and Power Panel Identifiers For High Air Flow Fans.....	80
TABLE 56 - Single Point Terminal Block Standard Or Ultra Quiet Fans (Pin 52 = X or L) (SX)	83
TABLE 57 - Single Point Terminal Block High Air Flow Fans (Pin 52 = G) (SX).....	87
TABLE 58 - Single Point Terminal Block Standard or Ultra Quiet Fans (Pin 52 = X or L) (SD).....	91
TABLE 59 - Single Point Terminal Block High Air Flow Fans (Pin 52 = G) (SD)	95
TABLE 60 - Single Point Terminal Block Standard or Ultra Quiet Fans (Pin 52 = X or L) (BX).....	99
TABLE 61 - Single Point Terminal Block High Air Flow Fans (Pin 52 = G) (BX).....	103
TABLE 62 - Single Point Terminal Block Standard or Ultra Quiet Fans (Pin 52 = X or L) (BC).....	106
TABLE 63 - Single Point Terminal Block High Air Flow Fans (Pin 52 = G) (BC)	111
TABLE 64 - Power Panel Fuses and Contactors	116
TABLE 65 - EEV Panel Kit (Danfoss EEV Controller)	116
TABLE 66 - EEV Panel Kit (Sporlan EEV Controller).....	117
TABLE 67 - Power Panel Model 200 Low Sound, Ultra Quiet Fans (Pin 52=X, L, V or M) SP Supply TB (Pin 16 & 17=SX).....	119
TABLE 68 - Power Panel Model 230 Low Sound, Ultra Quiet Fans (Pin 52=X, L, V or M) SP Supply TB (Pin 16 & 17=SX).....	122
TABLE 69 - Power Panel Model 200 High Air Flow (Pin 52=G) SP Supply TB (Pin 16 & 17=SX).....	125
TABLE 70 - Power Panel Model 230 High Air Flow (Pin 52=G) SP Supply TB (Pin 16 & 17=SX).....	128
TABLE 71 - Power Panel Model 200 Low Sound, Ultra Quiet Fans (Pin 52=X, L, V or M) SP NF Disconnect Switch (Pin 16 & 17=SD)	131
TABLE 72 - Power Panel Model 230 Low Sound, Ultra Quiet Fans (Pin 52=X, L, V or M) SP NF Disconnect Switch (Pin 16 & 17=SD)	134
TABLE 73 - Power Panel Model 200 High Air Flow (Pin 52=G) SP NF Disconnect Switch (Pin 16 & 17=SD) ...	137
TABLE 74 - Power Panel Model 200 Low Sound, Ultra Quiet Fans (Pin 52=X, L, V or M) SP Circuit Breaker w/ Lockable Handle (Pin 16 & 17=BX)	140
TABLE 75 - Power Panel Model 230 Low Sound, Ultra Quiet Fans (Pin 52=X, L, V or M) SP Circuit Breaker w/ Lockable Handle (Pin 16 & 17=BX)	143
TABLE 76 - Power Panel Model 200 High Air Flow (Pin 52=G) SP Circuit Breaker w/ Lockable Handle (Pin 16 & 17=BX).....	146
TABLE 77 - Power Panel Model 230 High Air Flow (Pin 52=G) SP Circuit Breaker w/ Lockable Handle (Pin 16 & 17=BX).....	149
TABLE 78 - Power Panel Model 200 Low Sound, Ultra Quiet Fans (Pin 52=X, L, V or M) SP Circuit Breaker w/ Lockable Handle, 65kA SCWR (Pin 16 & 17=BC)	152
TABLE 79 - Power Panel Model 230 Low Sound, Ultra Quiet Fans (Pin 52=X, L, V or M) SP Circuit Breaker w/ Lockable Handle, 65kA SCWR (Pin 16 & 17=BC)	156
TABLE 80 - Power Panel Model 200 High Air Flow (Pin 52=G) SP Circuit Breaker w/ Lockable Handle, 65kA SCWR (Pin 16 & 17=BC)	159
TABLE 81 - Power Panel Model 230 High Air Flow (Pin 52=G) SP Circuit Breaker w/ Lockable Handle, 65kA SCWR (Pin 16 & 17=BC)	162
TABLE 82 - Micro Panel Per R-1159.....	165
TABLE 83 - Power Panel Harnesses (Models 200, 230)	167
TABLE 84 - Hot Gas By-Pass Standard Valves (Pin 32 = X) Models YLAA0058 - YLAA0089	169
TABLE 85 - Hot Gas By-Pass Standard Valves (Pin 32 = X) Model YLAA0092	170
TABLE 86 - Hot Gas By-Pass Electronic Expansion Valves (Pin 32 = E) Models YLAA0058 - YLAA0089	171
TABLE 87 - Hot Gas By-Pass Electronic Expansion Valves (Pin 32 = E) Models YLAA0092 - YLAA0120	172

LIST OF TABLES (CONT'D)

TABLE 88 - Hot Gas By-Pass Electronic Expansion Valves (Pin 32 = E) Models YLAA0125 - YLAA0230	173
TABLE 89 - Low Ambient Standard Kit.....	176
TABLE 90 - Low Ambient Expansion Valve.....	178
TABLE 91 - Low Ambient Wiring Harness Details.....	181
TABLE 92 - Power Factor Capacitor	183
TABLE 93 - Heat Recovery Assembly.....	185
TABLE 94 - Enclosure Kit Option	191
TABLE 95 - Wire Enclosure Panels.....	192
TABLE 96 - Louvered Enclosure Panels.....	195
TABLE 97 - Wire Louver Enclosure Panels (Pin 46 = X)	202
TABLE 98 - Wire Louver Enclosure Heat Recovery (Pin 46 = H)	204
TABLE 99 - Louver Enclosure Panels Condenser Only	209
TABLE 100 - Louver Enclosure Heat Recovery	210
TABLE 101 - Mechanical Extension Kit YLAA0058 - YLAA0120	211
TABLE 102 - Mechanical Extension Kit YLAA0125 - YLAA0230	212
TABLE 103 - Electronic Extension Kit	215
TABLE 104 - Pump Electrical Common Parts	216
TABLE 105 - Pump Selection.....	218
TABLE 106 - Aesthetic Panel	221
TABLE 107 - Keypad Overlays.....	222
TABLE 108 - E-Link Kit.....	222
TABLE 109 - Vibration Isolators Part Numbers	223
TABLE 110 - Field Installed Options Part Numbers	224
TABLE 111 - Control Transformer	225
TABLE 112 - Consumables	225
TABLE 113 - Recommended Spares	226
TABLE 114 - SI Metric Conversion.....	227

TABLE 1 - COMPLETE PIN NUMBER DESCRIPTION

FEATURE	FEATURE DESCRIPTION	OPTION	OPTION DESCRIPTION
MODEL	Model (PIN 1-4)		YLAA
CAP	Capacity (PIN 5-8)	0058	0058
		0065	0065
		0070	0070
		0080	0080
		0081	0081
		0089	0089
		0092	0092
		0100	0100
		0101	0101
		0115	0115
		0120	0120
		0125	0125
		0136	0136
		0142	0142
		0150	0150
		0155	0155
		0156	0156
0170	0170		
0175	0175		
0200	0200		
0230	0230		
UNIT	Unit Designator (PIN 9)	S	Standard Efficiency
		H	High Efficiency
		Y	High Efficiency (Round Tube)
		Z	Standard Efficiency (Round Tube)
REF	Refrigerant (PIN 10)	E	R-410A
VOLTS	Voltage (PIN 11 & 12)	17	200/3/60
		28	230/3/60
		40	380/3/60
		46	460/3/60
		50	380-415/3/50
		58	575/3/60
STARTER	Starter (PIN 13)	X	ACross the Line starter
		T	Soft Start
DESIGN	Design Series (PIN 14)	A	Design Series A (MicroChannel)
		B	Design Series B (Tube and Fin)
		C	Design Series C (MicroChannel CE/ETL Panel)
DEV	Development Level (PIN 15)	A	Development Level A
POWER	Power Field (PIN 16 & 17)	SX	SP Supply TB
		SD	SP NF Disconnect Switch
		BC	SP Circuit Breaker w/ Lockable Handle, 65kA SCWR
		BX	SP Circuit Breaker w/ Lockable Handle
		MB	MP Supply w/ Ind Sys CD & L Ext Handles

TABLE 1 - COMPLETE PIN NUMBER DESCRIPTION (CONT'D)

FEATURE	FEATURE DESCRIPTION	OPTION	OPTION DESCRIPTION
TRANS	Cntrl Transformer (PIN 18)	X	No Control Transformer Required
		T	Control Transformer Required
		Q	Special Control Transformer Required
PFC	Power Factor Capacitor (19)	X	No Power Capacitor required
		C	Power Capacitor required
		Q	Special Power Capacitor required
AMB	Ambient Kits (PIN 20)	H	High Ambient Kit Standard (factory)
		A	Both Low/High Ambient Kit required (factory)
		B	Both Low/High Ambient Kit w/Sunshield (factory)
		S	High Ambient Kit w/Sunshield (factory)
		Q	Special Ambient Kit required
BAS	Bas Reset/Offset (PIN 21)	X	BAS Reset/Offset required (standard)
		L	LON E-Link Kit (factory)
		S	SC-Equip Board
		Q	Special BAS Reset/Offset required
LCD	Language (PIN 22)	X	English
		S	Spanish
		C	Chinese (Simplified)
		E	English with Chinese Displayed Board
		F	French
		G	German
		I	Italian
RDOUT	Readout Kits (PIN 23)	B	Both Discharge & Suction Pressure Transducer Readout required
		Q	Special Pressure Readout required
SAFETY	Safety Codes (PIN 24)	C	European Safety Code (CE)
		G	China Safety Code (GB)
		L	N American Safety Code (cUL/cETL)
SENSOR	PIN 25	X	X
		Q	Special Quote
PUMP	Motor Current Module (PIN 26)	C	Motor Current Module
		Q	Special Quote
REMOTE	Remote Panel (PIN 27)	X	No Remote Panel required
		Q	Special Remote Panel required
SEQ	Sequence Kit (PIN 28)	X	No Sequence Kit required
		Q	Special Sequence Kit required
TEMP	Leaving Water Temp(29,30)		
CHICAGO	Chicago Code Kit (PIN 31)	X	No Chicago Code Kit required
		B	Both Chicago Code & Serv Isolation
		C	Chicago Code Kit required
		G	Both Suction Service Valve and Dual Relief Valve (Europe only)
		R	Dual Relief Valves no Suction Service Valve (Europe only)
		S	Service Isolation Valves
		Q	Special Chicago Code Kit required

TABLE 1 - COMPLETE PIN NUMBER DESCRIPTION (CONT'D)

FEATURE	FEATURE DESCRIPTION	OPTION	OPTION DESCRIPTION
VALVES	Valves (PIN 32)	X	Standard Valves Req'd
		E	Electronic Expansion Valve
		Q	Special Optional Valves Req'd
HGBP	Hot Gas Bypass (PIN 33)	X	No Hot Gas Bypass required
		1	Hot Gas Bypass required - 1 circuit
		Q	Special Hot Gas Bypass required
GAUGE	PIN 34	X	X
		Q	Special Quote
OVERLOAD	PIN 35	X	X
		Q	Special Quote
PIN36	PIN 36	X	X
		K	Quick Start
		Q	Special Quote
HTR	Crankcase Heater (Pin 37)	H	Crankcase Heater Standard
		Q	Special Crankcase Heater required
DWP	DWP (PIN 38)	X	150psig DWP Waterside
		3*	300psig DWP Waterside
		Q	Special Quote
INS	Insulation (PIN 39)	X	Standard Insulation
		D	Double Thick Insulation
		Q	Special Insulation required
FLANGES	Flanges (PIN 40)	X	No Flanges required
		V	Victaulic Flanges required
		Q	Special Flanges required
FLOW	Flow Switch (PIN 41)	X	No Flow Switch required
		S	One Flow Switch Required
		Y	Flow Switch with Extension Kit
		Z	Flow Switch with Extension Kit (GB Only)
VESSEL	Vessel Codes (PIN 42)	A	ASME Pressure Vessel Codes
		E	PED Pressure Vessel Codes
		G	GB Pressure Vessel Codes
		Q	Special Quote
CLR	Cooler (PIN 43)	X	Standard Cooler required
		R	Remote Cooler required
		Q	Special Cooler required
PIN44	PIN 44	X	X
		Q	Special Quote
COILS	Coils (PIN 45)	X	Aluminum Coils
		P	Post- Coated Dipped Coils
		Q	Special Coils
HEAT	Heat Recovery (PIN 46)	X	No Option required
		H	Heat Recovery
		Q	Special Quote

TABLE 1 - COMPLETE PIN NUMBER DESCRIPTION (CONT'D)

FEATURE	FEATURE DESCRIPTION	OPTION	OPTION DESCRIPTION
FANMOTORS	Fan Motors (PIN 47)	X	TEAO Fan Motors
		Q	Special Fan Motors required
ENCL	Enclosure Panels (PIN 48)	X	No Enclosure required
		1	Wire (Full Unit) Encl Panels (factory)
		2	Wire (Full Unit) Encl Panels (field)
		3	Wire/Louvered Encl Panels (factory)
		4	Wire/Louvered Encl Panels (field)
		5	Louvered (Cond only) Encl Panels (factory)
		6	Louvered (Cond only) Encl Panels (field)
		7	Louvered (Full Unit) Encl Panels (factory)
		8	Louvered (Full Unit) Encl Panels (field)
		9	End Louver (End Hail Guard) Encl Panels (factory)
		A	End Louver (End Hail Guard) Encl Panels (field)
		B	Aesthetic Panel Kit only (factory)
		C	Aesthetic Panel Kit only (field)
		D	Aesthetic Panel Kit plus Hail Guards (factory)
		E	Aesthetic Panel Kit plus Hail Guards (field)
Q	Special Enclosure Panels		
ACOUSTIC	ACoustic Blanket (PIN 49)	X	No ACoustic Blanket required
		B	ACoustic Blanket Required
		E	ACoustic Enclosure
		Q	Special ACoustic Blanket required
SRDOCS	SR Documents (PIN 50)	X	No Documents Required
		A	Base, Material & Witness Documents
		B	Base Document
		M	Base & Material Documents
		W	Base & Witness Documents
		Q	Special Quote
FANS	Sound Fans (PIN 52)	X	Standard Low Sound Fans required
		A	High Airflow Fans required (Vendor Specific)
		E	Low Sound Fans required (Vendor Specific)
		G	High AirFlow Fans required
		L	Ultra Quiet Fans required
		S	High Static Fans required (Vendor Specific)
		U	Ultra Quiet Fans required (Vendor Specific)
		2	Two Speed Fans required (Vendor Specific)
		Q	Special Sound Fans required
ISOL	Vibration Isolators (PIN 54)	X	No Isolators required
		1	1" Deflection Isolators required
		N	Neoprene Isolators required
		S	Seismic Isolators required
		Q	Special Isolators required
PIN 61	PIN 61		Marketing Purposes Only!

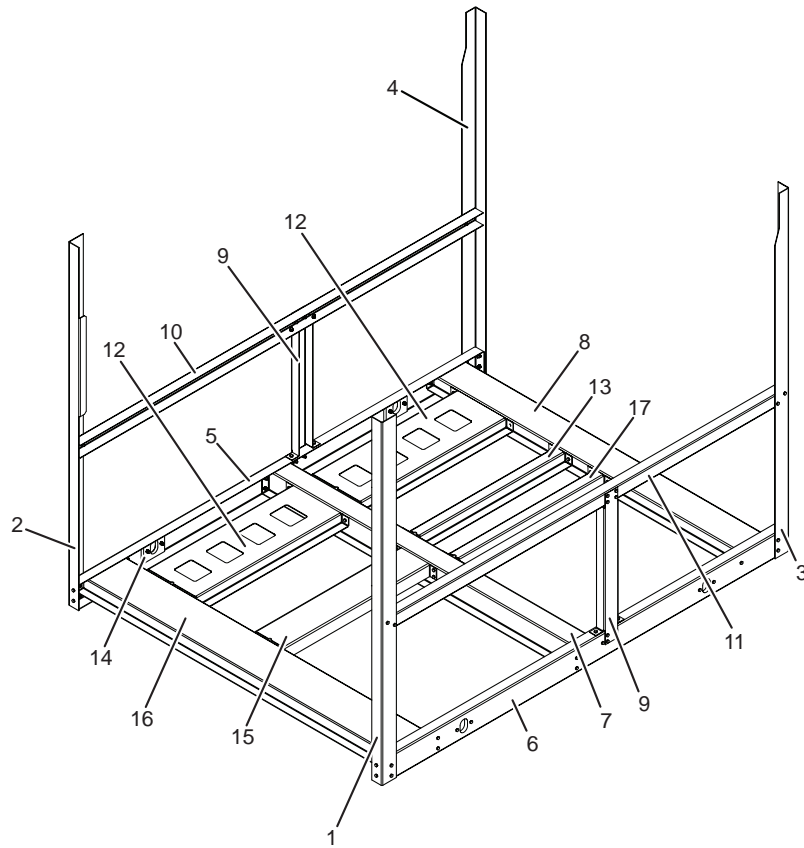
TABLE 2 - BASE ASSEMBLY YLAA0058 - YLAA0120

ITEM	DESCRIPTION	MODEL	PART NUMBER	SAP	QTY.	FIGURE
1	Angle Base Front Corner	YLAA0058 - YLAA0120	092-07648-000	817287	1	1,2
2	Angle Base Front Corner	YLAA0058 - YLAA0120	092-07648-001	817288	1	1,2
3	Angle Base Rear Corner	YLAA0058 - YLAA0120	092-07648-003	817290	1	1,2
4	Angle Base Rear Corner	YLAA0058 - YLAA0120	092-07648-004	817291	1	1,2
5	Channel Base Support	YLAA0058 , YLAA0065, YLAA0081	092-07648-119	1083636	1	1,2
		YLAA0070, YLAA0080	092-07648-005	817292	1	
		YLAA0089	092-07648-005	817292	1	
		YLAA0092, YLAA0100 - YLAA0120	092-07648-016	843983	1	
6	Channel Base Support	YLAA0058, YLAA0065, YLAA0081	092-07648-121	1083638	1	1,2
		YLAA0070, YLAA0080, YLAA0089	092-07648-009	817296	1	
		YLAA0092 - YLAA0120	092-07648-025	843992	1	
7	Beam Cross Support	YLAA0058 - YLAA0120	092-07648-007	817294	1	1,2
8	Beam Cross Support	YLAA0058 - YLAA0089	092-07648-008	817295	1	1,2
		YLAA0092 - YLAA0115	092-07648-099	1039318	1	
		YLAA0120	092-07648-097	1039316	1	
9	Beam Vertical Support	YLAA0058 - YLAA0120	092-07648-002	817289	2	1,2
10	Channel Coil Support	YLAA0058, YLAA0065, YLAA0081	092-07648-120	1083637	1	1,2
		YLAA0070, YLAA0080, YLAA0089	092-07648-006	817293	1	
		YLAA0092 - YLAA0120	092-07648-017	843984	1	
11	Channel Coil Support	YLAA0058, YLAA0065, YLAA0081	092-07648-122	1083639	1	1,2
		YLAA0070, YLAA0080, YLAA0089	092-07648-010	817297	1	
		YLAA0092 - YLAA0120	092-07648-018	843985	1	
12	Beam Comp Support	YLAA0058, YLAA0065, YLAA0081	092-07648-123	1083640	2	1,2
		YLAA0070, YLAA0080, YLAA0089	092-07648-011	817298	2	
		YLAA0092 - YLAA0120	092-07648-019	843986	1	
13	Beam Plate HX Support	YLAA0058, YLAA0065	092-07648-126	1083642	1	1,2
		YLAA0070	092-07648-103	1039532	1	
		YLAA0080	092-07648-105	1039534	1	
		YLAA0081	092-07648-131	1083645	1	
		YLAA0089	092-07648-107	1039536	1	
		YLAA0092 - YLAA0120	092-07648-034	843994	2	
14	Beam Plate HX Support	YLAA0058, YLAA0065	092-07648-127	1083643	1	1,2
		YLAA0070, YLAA0080, YLAA0089 - YLAA0120	075-65620-000	561203	20	
		YLAA0081	092-07648-132	1083646	1	

TABLE 2 - BASE ASSEMBLY YLAA0058 - YLAA0120 (CONT'D)

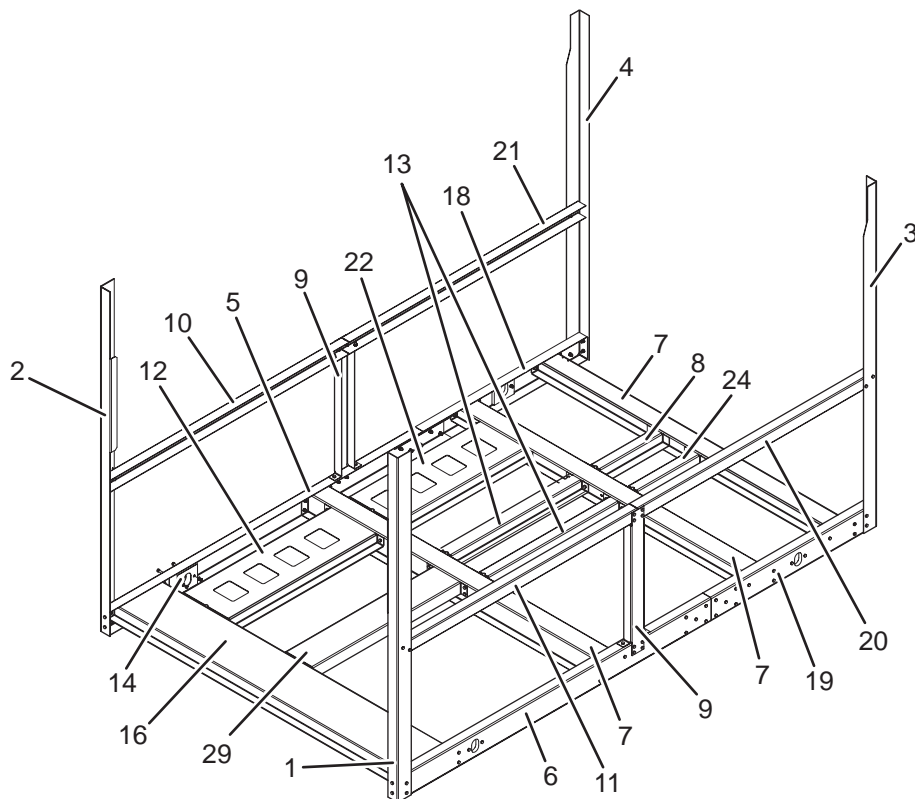
ITEM	DESCRIPTION	MODEL	PART NUMBER	SAP	QTY.	FIGURE
15	Beam Filter/Dryer Support	YLAA0058, YLAA0065, YLAA0081	092-07648-125	1083641	1	1
		YLAA0070, YLAA0080, YLAA0089	092-07648-014	817299	1	
		YLAA0092	092-07648-036	843996	1	
16	Beam Cross Support	YLAA0058, YLAA0065, YLAA0081	092-07648-130	1083644	1	1,2
		YLAA0070	092-07648-104	1039533	1	
		YLAA0080	092-07648-106	1039535	1	
		YLAA0089	092-07648-108	1039537	1	
		YLAA0092-YLAA0120	092-07648-035	843995	1	
17	Plate Lifting Reinforcing	YLAA0058, YLAA0065, YLAA0081	075-65620-000	561203	20	1
	Beam Cross Support 4/6 Fan	YLAA0070, YLAA0080, YLAA0089	092-07648-129	1084531	1	
	Channel Side Connection	YLAA0092 - YLAA0120	092-07648-026	843993	2	
18	Channel, Base Support	YLAA0092 - YLAA0120	092-07648-024	843991	1	2
19	Channel, Base Support	YLAA0092 - YLAA0120	092-07648-023	843990	1	2
20	Channel, Coil Support	YLAA0092 - YLAA0120	092-07648-022	843989	1	2
21	Channel, Coil Support	YLAA0092 - YLAA0120	092-07648-021	843988	1	2
22	Beam, Comp Support	YLAA0092 - YLAA0120	092-07648-020	843987	1	2
24	Beam Plate HX Support	YLAA0092 - YLAA0115	092-07648-100	1039319	1	2
		YLAA0120	092-07648-098	1039317	1	
29	Beam Cross Support 4/6 Fan	YLAA0092 - YLAA0120	092-07648-129	1084531	1	2

NOTE: Items with an * are NOT represented.



LD18102

FIGURE 1 - BASE ASSEMBLY YLAA0058 - YLAA0089



LD18103

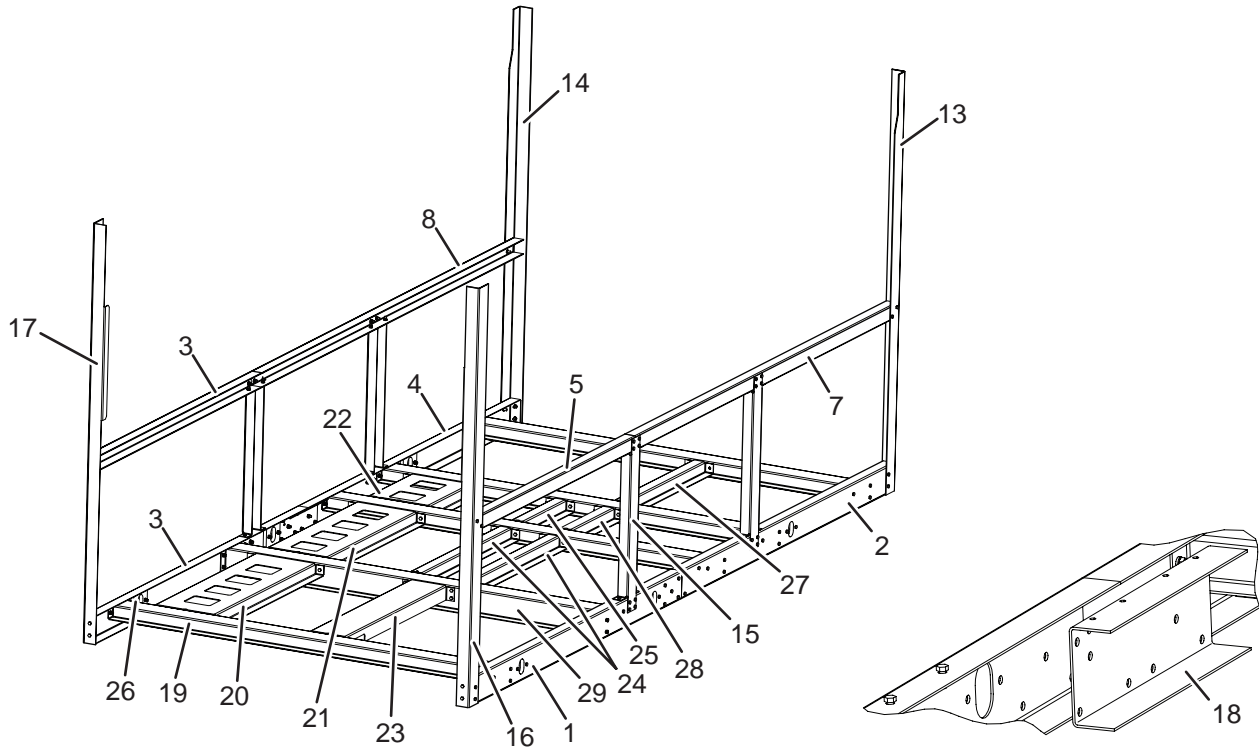
FIGURE 2 - BASE ASSEMBLY YLAA0092 - YLAA0120

TABLE 3 - BASE ASSEMBLY YLAA0125 - YLAA0230

ITEM	DESCRIPTION	MODEL	PART NUMBER	SAP	QTY.	FIGURE
1	Channel Base Support	YLAA0125 - YLAA0230	092-07648-031	927779	1	3, 4
2	Channel Base Support	YLAA0125 - YLAA0175	092-07648-028	927776	1	
3	Channel Base Support	YLAA0200, YLAA0230	092-07648-070	927781	1	5
		YLAA0125 - YLAA0175	092-07648-032	927780	1	3, 4
4	Channel Base Support	YLAA0200, YLAA0230	092-41485-005	5197143	1	5
		YLAA0125 - YLAA0175	092-07648-027	927775	1	3, 4
5	Channel Coil Support	YLAA0200, YLAA0230	092-07648-032	927780	1	5
		YLAA0125 - YLAA0155	092-07648-087	927792	1	3
6	Channel Coil Support	YLAA0156 - YLAA0230	092-07648-071	927782	1	4, 5
		YLAA0125 - YLAA0155	092-07648-086	927791	1	3, 4
		YLAA0156 - YLAA0175	092-07648-073	927784	1	
7	Channel Coil Support	YLAA0200, YLAA0230	092-41485-006	5197144	1	5
		YLAA0125 - YLAA0155	092-07648-029	927777	1	3
		YLAA0156 - YLAA0230	092-07648-078	927789	1	4, 5
8	Channel Coil Support	YLAA0125 - YLAA0155	092-07648-030	927778	1	3
		YLAA0156 - YLAA0175	092-07648-076	927787	1	4
		YLAA0200, YLAA0230	092-07648-144	5423300	1	5
9	Channel Coil Support	YLAA0200, YLAA0230	092-41485-001	5197139	1	5
10	Channel Coil Support	YLAA0200, YLAA0230	092-07648-079	927790	1	5
11	Channel Coil Support	YLAA0200, YLAA0230	092-07648-077	927788	1	5
12	Channel Coil Support	YLAA0200, YLAA0230	092-41485-002	5197140	1	5
13	Angle Base Rear Corner	YLAA0125 - YLAA0230	092-07648-003	817290	1	3, 4, 5
14	Angle Base Rear Corner	YLAA0125 - YLAA0230	092-07648-004	817291	1	3, 4, 5
15	Beam Vertical Support	YLAA0125 - YLAA0230	092-07648-002	817289	4	3, 4, 5
16	Angle Base Front Corner	YLAA0125 - YLAA0230	092-07648-000	817287	1	3, 4, 5
17	Angle Base Front Corner	YLAA0125 - YLAA0230	092-07648-001	817288	1	3, 4, 5
18	Channel Side Connection	YLAA0125 - YLAA0230	092-07648-026	843993	2	3, 4, 5
19	Beam Cross Support	YLAA0125 - YLAA0230	092-07648-090	927795	4	3, 4, 5
20	Beam, Comp Support	YLAA0125 - YLAA0230	092-07648-019	843986	1	3, 4, 5
21	Beam, Comp Support	YLAA0125 - YLAA0230	092-07648-020	843987	1	3, 4, 5
22	Beam, Comp Support	YLAA0136, YLAA0142, YLAA0200, YLAA0230	092-07648-036	843996	1	3, 4, 5
23	Beam, Filter/Dryer Support	YLAA0125 - YLAA0230	092-07648-035	843995	1	3, 4, 5
24	Beam Plate Hx Support	YLAA0175	092-07648-098	1039317	1	4
		YLAA0125 - YLAA0155	092-07648-088	927793	2	3
		YLAA0156, YLAA0170	092-07648-114	1055953	1	4
		YLAA0200, YLAA0230	092-41485-011	5197148	2	5
25	Beam Plate Hx Support	YLAA0125	092-07648-111	1055650	1	3
		YLAA0136, YLAA0150	092-07648-113	1055952	1	3
		YLAA0142, YLAA0155	092-07648-115	1055954	1	3
		YLAA0156 - YLAA0175	092-07648-088	927793	2	4
26	Plate Lifting Reinforcing	YLAA0125 - YLAA0230	075-65620-000	561203	30	3, 4, 5
27	Beam Extension Kit Support	YLAA0125 - YLAA0155	092-07648-095	927798	1	3
		YLAA0156 - YLAA0175	092-07648-096	927799	1	4, 5

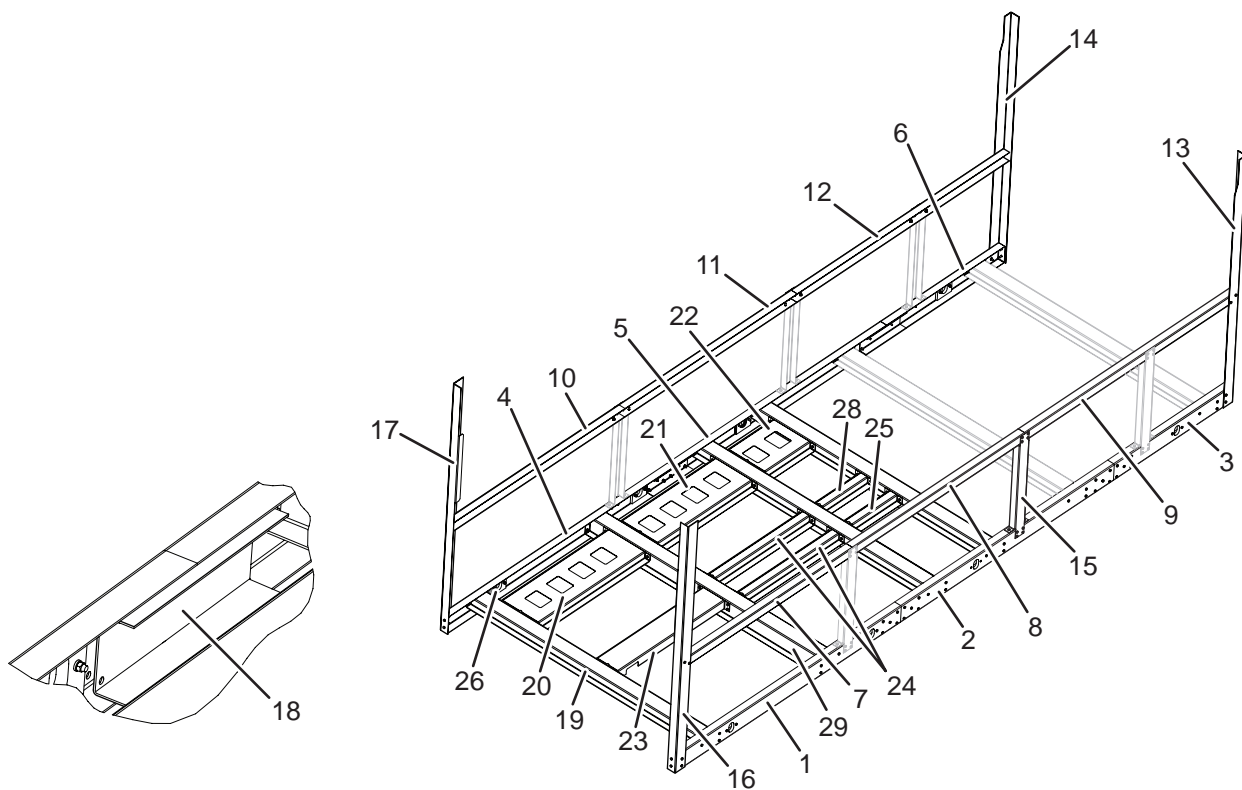
TABLE 3 - BASE ASSEMBLY YLAA0125 - YLAA0230 (CONT'D)

ITEM	DESCRIPTION	MODEL	PART NUMBER	SAP	QTY.	FIGURE
28	Beam Plate Hx Support	YLAA0125	092-07648-112	1055951	1	3
		YLAA0136, YLAA0150	092-07648-114	1055953	1	3
		YLAA0142, YLAA0155	092-07648-116	1055955	1	3
		YLAA0156, YLAA0170	092-07648-113	1055952	1	4
		YLAA0175	092-07648-097	1039316	1	4
29	Beam Cross Support 8/10 Fan	YLAA0125 - YLAA0230	092-07648-128	1084530	1	3, 4, 5
30	Channel Coil Support	YLAA0200, YLAA0230	092-41485-003	5197141	1	5
31	Channel Coil Support	YLAA0200, YLAA0230	092-41485-004	5197142	1	5
32	Beam Plate Hx Support	YLAA0200, YLAA0230	092-41485-028	5263021	2	5
33	Channel Coil Support	YLAA0200, YLAA0230	092-07648-145	5423301	1	5
34	Channel Coil Support	YLAA0200, YLAA0230	092-07648-146	5423302	1	5
35	Channel Splice	YLAA0200, YLAA0230	092-40368-131	5423303	2	5



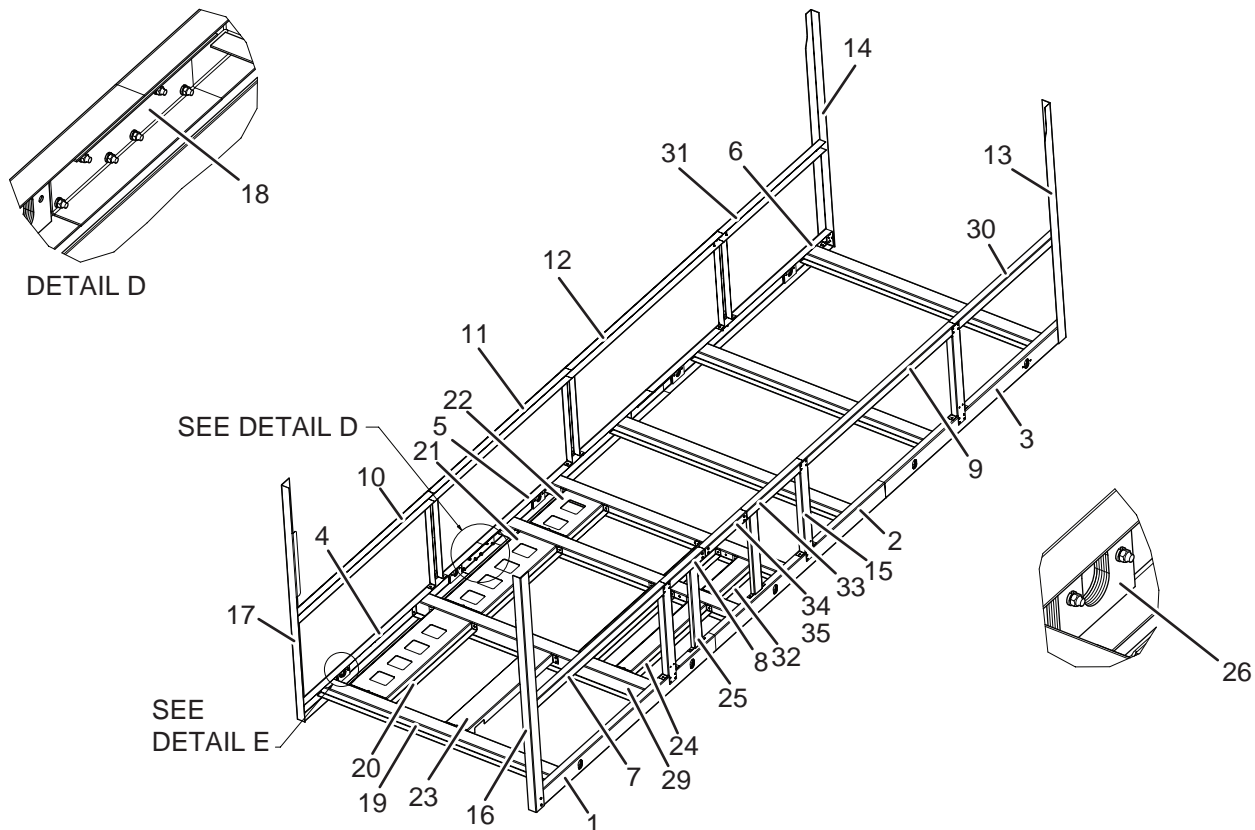
LD18104

FIGURE 3 - BASE ASSEMBLY YLAA0125 - YLAA0155



LD18105

FIGURE 4 - BASE ASSEMBLY YLAA0156 - YLAA0175



LD23161

FIGURE 5 - BASE ASSEMBLY YLAA0200, YLAA0230

TABLE 4 - COMPRESSOR PART NUMBERS MODELS

MODEL	VOLTAGE (PIN 11 & 12)	SYSTEM #1 COMPRESSOR		QUANTITY
		PART NUMBER	MODEL	
YLAA0058, YLAA0080, YLAA0081, YLAA0089, YLAA0092, YLAA0100, YLAA0101	17, 28	015-05144-102	GSD60182VA	2
	40	015-05144-103		
	46	015-05144-104		
	58	015-05144-105		
YLAA0065, YLAA0070	17, 28	015-05117-102	GSD60154VA	3
	40	015-05117-103		
	46	015-05117-104		
	58	015-05117-105		
YLAA0115, YLAA0120, YLAA0125, YLAA0136, YLAA0142	17, 28	015-04551-102	GSD80385VA	2
	40	015-04551-103		
	46	015-04551-104		
	58	015-04551-105		
YLAA0150, YLAA0155, YLAA0156	17, 28	015-04551-103	GSD80385VA	3
	40	015-04551-103		
	46	015-04551-104		
	58	015-04551-105		
YLAA0170, YLAA0175	17, 28	015-04551-102	GSD80385VA	3
	40	015-04551-103		
	46	015-04551-104		
	58	015-04551-105		
YLAA0200	17, 28	015-04919-102	GSD80421VA	3
	40	015-04919-103		
	46	015-04919-104		
	58	015-04919-105		
YLAA0230	17, 28	015-04375-102	ZP485	3
	40	015-04375-103		
	46	015-04375-106		
	58	015-04375-105		

NOTE: When required order the following specific compressor oil for Compressors.

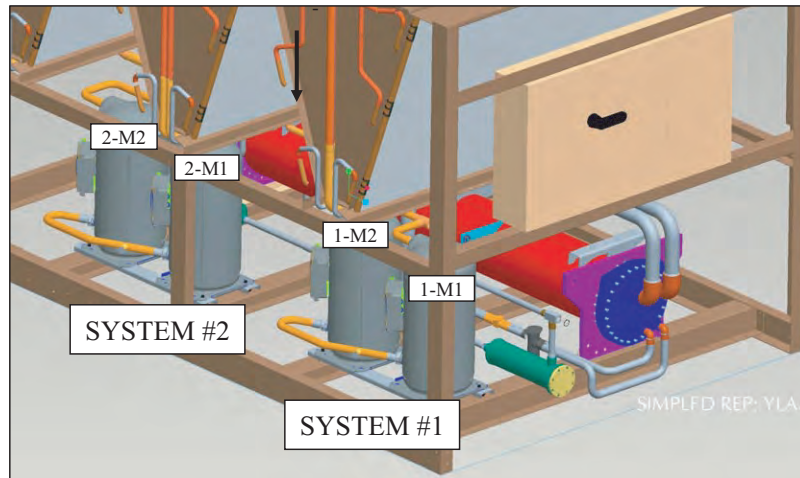
- Compressor Oil Bitzer, PVE (1-quart container) 011-00981-000
- Compressor Oil Bitzer, PVE (5-gallon container) 011-00982-000
- Compressor Oil Copeland, Oil Type V (1 Gallon container) 011-00948-000
- Compressor Oil Copeland, Oil Type V (5 Gallon container) 011-00949-000

TABLE 4 - COMPRESSOR PART NUMBERS MODELS (CONT'D)

MODEL	VOLTAGE (PIN 11 & 12)	SYSTEM #2 COMPRESSOR		QUANTITY
		PART NUMBER	MODEL	
YLAA0058, YLAA0065	17, 28	015-05114-102	GSD60182VA	2
	40	015-05114-103		
	46	015-05114-104		
	58	015-05114-105		
YLAA0070, YLAA0080, YLAA0081	17, 28	015-05117-102	GSD60154VA	3
	40	015-05117-103		
	46	015-05117-104		
	58	015-05117-105		
YLAA0089, YLAA0092, YLAA0136, YLAA0142	17, 28	015-04560-102	GSD6182VA	3
	40	015-04560-103		
	46	015-04560-104		
	58	015-04560-105		
YLAA0100, YLAA0101, YLAA0115, YLAA0120, YLAA0125	17, 28	015-04551-102	GSD80385VA	2
	40	015-04551-103		
	46	015-04551-104		
	58	015-04551-105		
YLAA0150, YLAA0155, YLAA0156	17, 28	015-04551-103	GSD80385VA	2
	40	015-04551-103		
	46	015-04551-104		
	58	015-04551-105		
YLAA0170	17, 28	015-04551-102	GSD80385VA	2
	40	015-04551-103		
	46	015-04551-104		
	58	015-04551-105		
YLAA0200	17, 28	015-04919-102	80421	3
	40	015-04919-103		
	46	015-04919-104		
	58	015-04919-105		
YLAA0230	17, 28	015-04375-102	ZP485	3
	40	015-04375-103		
	46	015-04375-106		
	58	015-04375-105		

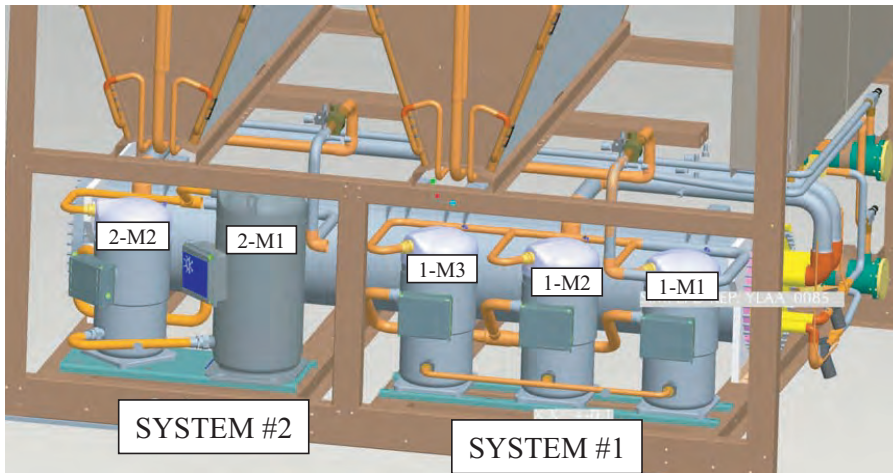
NOTE: When required order the following specific compressor oil for Bitzer Compressors.

Compressor Oil Bitzer, PVE (1-quart container) 011-00981-000
 Compressor Oil Bitzer, PVE (5-gallon container) 011-00982-000
 Compressor Oil Copeland, Oil Type V (1 Gallon container) 011-00948-000
 Compressor Oil Copeland, Oil Type V (5 Gallon container) 011-00949-000



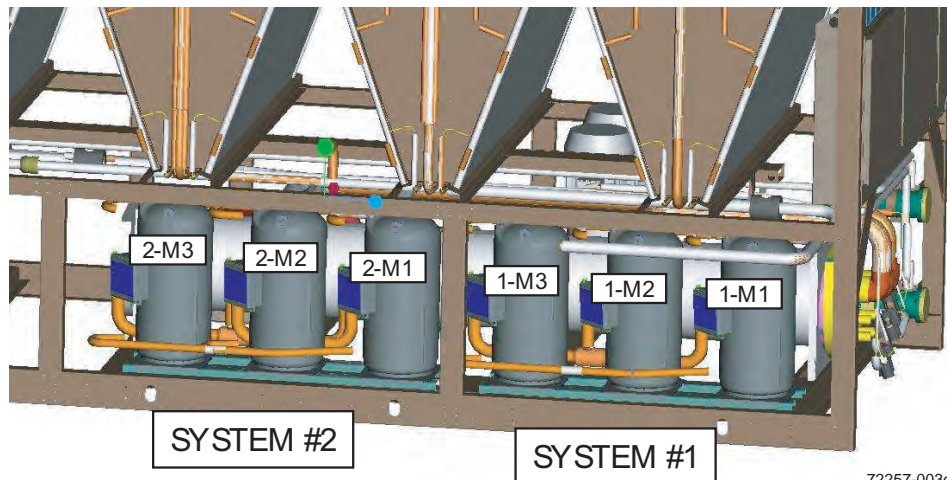
YLAA0058, 0091, 0115, 0120 & YLAA0125

72257-001c



YLAA0065, 0100, 0101, 0150, 0155 & YLAA0156

72257-002c



YLAA0070, 0080, 0081, 0089, 0092, 0136, 0142, 0170, 0175, 0200 & YLAA0230

72257-003c

FIGURE 6 - COMPRESSOR LAYOUTS

TABLE 5 - SYSTEM PIPING STANDARD VALVES (PIN 32 = X) (YLAA0058, YLAA0065, YLAA0081)

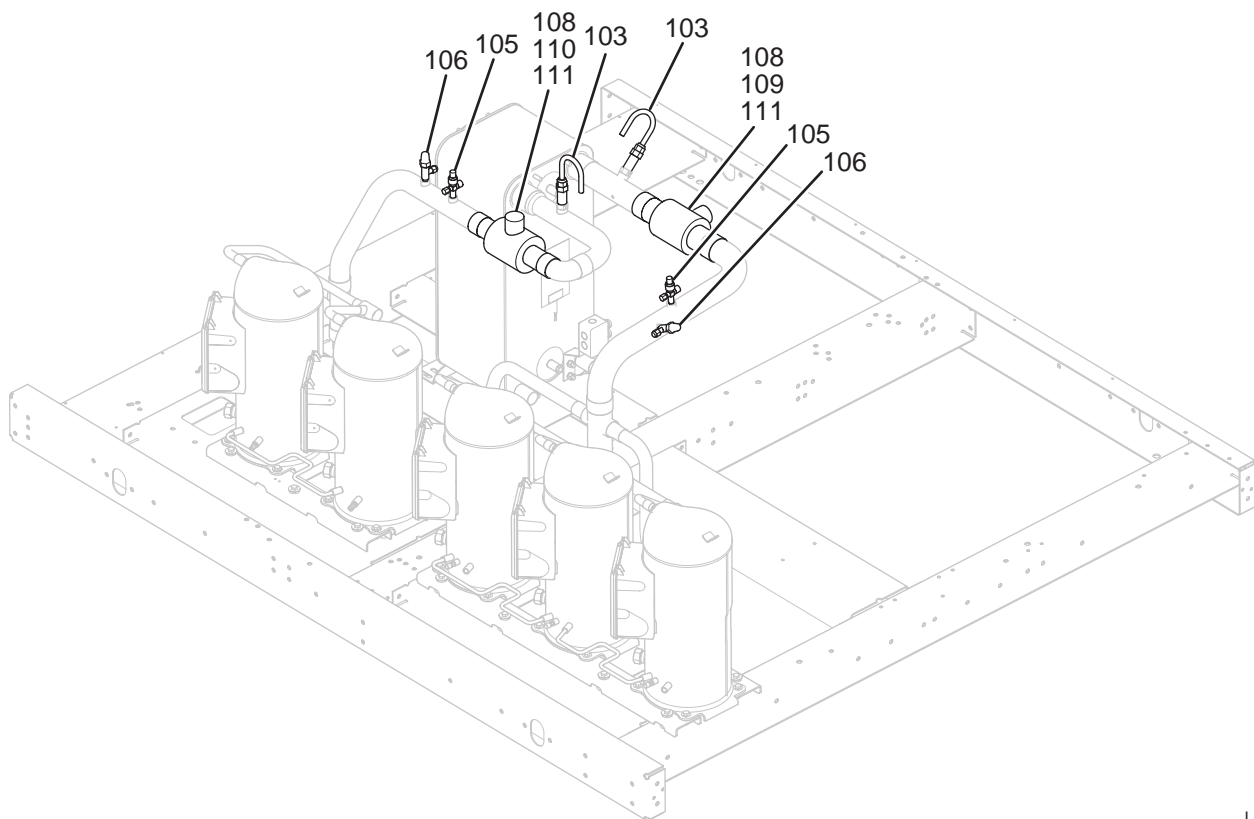
ITEM	DESCRIPTION	MODEL	PIN 31 OPTION	PART NUMBER	SAP NUMBER	FIGURE
103	Tube relief valve dxst	YLAA0058, YLAA0065, YLAA0081	X, C, S, B	375-37978-000	410839	7
105	Valve, transducer 1/2 solder x	YLAA0058, YLAA0065, YLAA0081	X, C, S, B	022-11735-000	430728	7 & 9
106	Valve, charging brass	YLAA0058, YLAA0065, YLAA0081	X, C, S, B	022-09754-000	391983	7
108	Valve, ball 2-1/8 ods conn	YLAA0058	S, B	022-09752-000	731278	7
109	Valve shut off ball valve	YLAA0081	S, B	022-09753-000	378432	7
110	Valve, ball 2-1/8 ods conn	YLAA0065	S, B	022-09752-000	731278	7
111	Valve shut off ball valve	YLAA0065	S, B	022-09753-000	378432	7
117	Bracket filter drier mmhp	YLAA0058, YLAA0065, YLAA0081	X, C, S, B	075-45650-000	751600	8
118	Filter drier core 2 c-969	YLAA0058, YLAA0065, YLAA0081	X, C, S, B	026-43984-002	415229	8
119	Ctg dehy 100 percent molecular	YLAA0058, YLAA0065, YLAA0081	X, C, S, B	026-37540-000	740964	8
121	Valve, solenoid 1-1/8 " odf	YLAA0058, YLAA0065, YLAA0081	X, C, S, B	025-41743-000	740010	8
122	Special adapter / connector 1.125In m24	YLAA0058, YLAA0065, YLAA0081	X, C, S, B	026-37544-000	740965	8
123	Moist indic od=24mm thd	YLAA0058, YLAA0065, YLAA0081	X, C, S, B	026-37548-000	638590	8
124	Valve txv ycal, tgel 40-31	YLAA0058	X, C, S, B	025-40900-003	739941	8
	Valve tev 1-1/8" x1-3/8" conns	YLAA0065, YLAA0081	X, C, S, B	025-40681-000	739877	
125	Valve txv ycal, tgel 40-31	YLAA0065	X, C, S, B	025-40900-003	739941	8
128	Valve isln angle sc 1/4in conmix br	YLAA0058, YLAA0065, YLAA0081	X, C, S, B	022-00009-000	257712	8
132	Adapter fla 1/4 ext x	YLAA0058, YLAA0065, YLAA0081	X, C, S, B	023-06596-000	731830	*
135	Valve, ball 1-3/8 ods conn	YLAA0058, YLAA0065	X, C, S, B	022-09750-000	731277	9
	Valve, ball 1-5/8 ods conn's	YLAA0081	X, C, S, B	022-08883-000	731236	
136	Valve, ball 1-3/8 ods conn	YLAA0081	X, C, S, B	022-09750-000	731277	9
138	Adapter saddle for piping	YLAA0058, YLAA0065, YLAA0081	X, C, S, B	023-20817-002	411261	*
140	Valve	YLAA0058, YLAA0065, YLAA0081	X, C, S, B	022-10022-000	62512	8

NOTE: Items with an * are NOT represented.

TABLE 6 - SYSTEM PIPING EEV (PIN 32 = E) (YLAA0058, YLAA0065, YLAA0081)

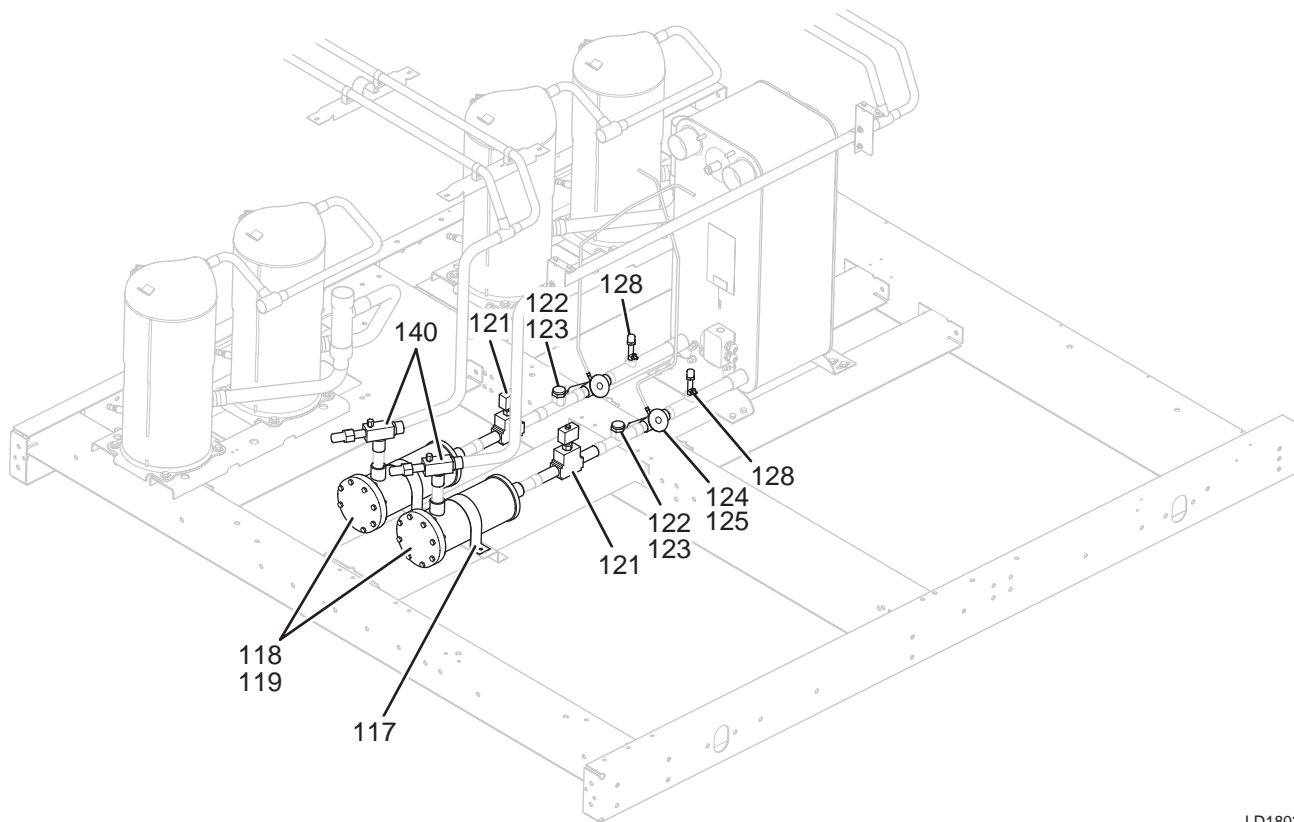
ITEM	DESCRIPTION	MODEL	PIN 31 OPTION	PART NUMBER	SAP NUMBER	FIGURE
103	Tube relief valve dxst	YLAA0058, YLAA0065, YLAA0081	X, C, S, B	375-37978-000	410839	7
105	Valve, transducer 1/2 solder x	YLAA0058, YLAA0065, YLAA0081	X, C, S, B	022-11735-000	430728	7 & 9
106	Valve, charging brass	YLAA0058, YLAA0065, YLAA0081	X, C, S, B	022-09754-000	391983	7
108	Valve, ball 2-1/8 ods conn	YLAA0058	S, B	022-09752-000	731278	7
109	Valve shut off ball valve	YLAA0081	S, B	022-09753-000	378432	7
110	Valve, ball 2-1/8 ods conn	YLAA0065	S, B	022-09752-000	731278	7
111	Valve shut off ball valve	YLAA0065	S, B	022-09753-000	378432	7
117	Bracket filter drier mmhp	YLAA0058, YLAA0065, YLAA0081	X, C, S, B	075-45650-000	751600	8
118	Filter drier core 2 c-969	YLAA0058, YLAA0065, YLAA0081	X, C, S, B	026-43984-002	415229	8
119	Ctg dehy 100 percent molecular	YLAA0058, YLAA0065, YLAA0081	X, C, S, B	026-37540-000	740964	8
121	Valve, solenoid 1-1/8 " odf	YLAA0058, YLAA0065, YLAA0081	X, C, S, B	025-41743-000	740010	8
122	Special adapter / connector 1.125In m24	YLAA0058, YLAA0065, YLAA0081	X, C, S, B	026-37544-000	740965	8
123	Moist indic od=24mm thd	YLAA0058, YLAA0065, YLAA0081	X, C, S, B	026-37548-000	638590	8
124	Valve txv ycal, tgel 40-31	YLAA0058	X, C, S, B	025-40900-003	739941	8
	Valve tev 1-1/8" x1-3/8" conns	YLAA0065, YLAA0081	X, C, S, B	025-40681-000	739877	
125	Valve txv ycal, tgel 40-31	YLAA0065	X, C, S, B	025-40900-003	739941	8
128	Valve isln angle sc 1/4in conmix br	YLAA0058, YLAA0065, YLAA0081	X, C, S, B	022-00009-000	257712	8
132	Adapter fla 1/4 ext x	YLAA0058, YLAA0065, YLAA0081	X, C, S, B	023-06596-000	731830	*
135	Valve, ball 1-3/8 ods conn	YLAA0058, YLAA0065	X, C, S, B	022-09750-000	731277	9
	Valve, ball 1-5/8 ods conn's	YLAA0081	X, C, S, B	022-08883-000	731236	
136	Valve, ball 1-3/8 ods conn	YLAA0081	X, C, S, B	022-09750-000	731277	9
138	Adapter saddle for piping	YLAA0058, YLAA0065, YLAA0081	X, C, S, B	023-20817-002	411261	*
140	Valve	YLAA0058, YLAA0065, YLAA0081	X, C, S, B	022-10022-000	62512	8

NOTE: Items with an * are NOT represented.



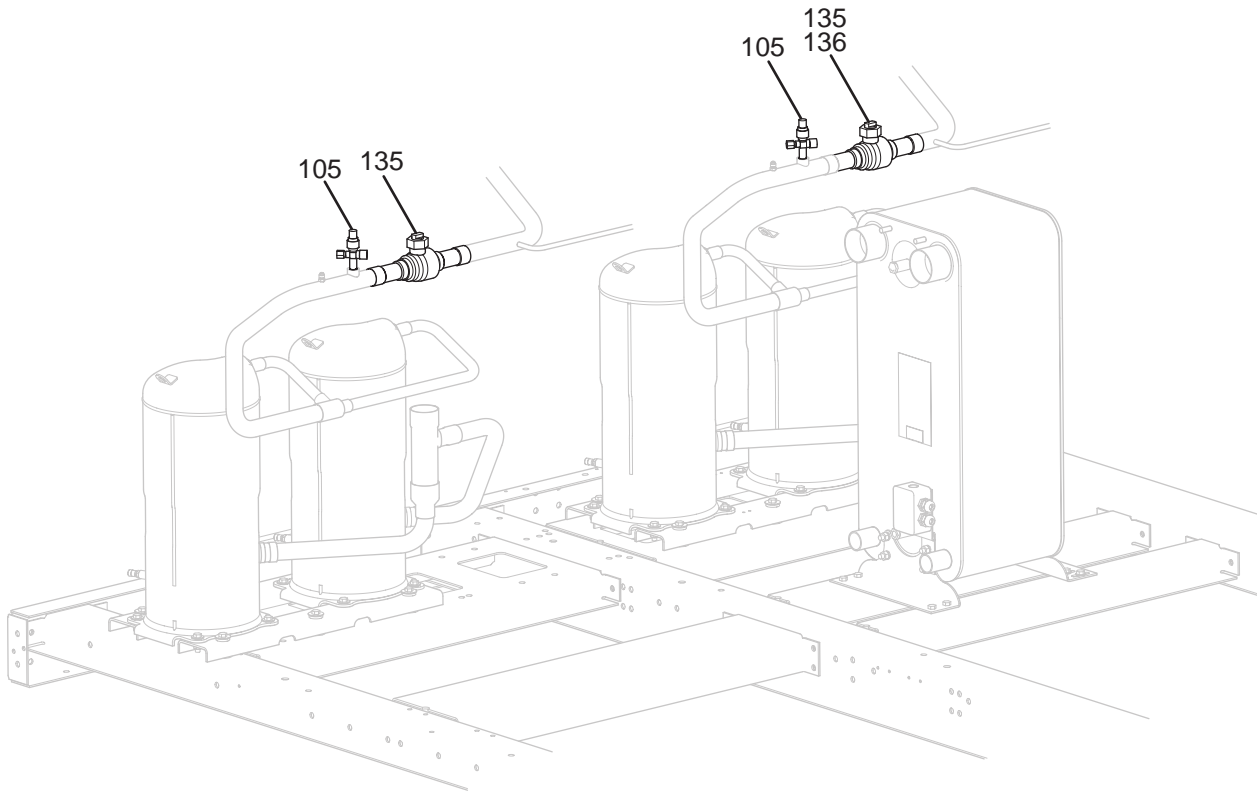
LD18038

FIGURE 7 - SYSTEM PIPING (YLAA0058, YLAA0065, YLAA0081)



LD18039

FIGURE 8 - SYSTEM PIPING (YLAA0058, YLAA0065, YLAA0081)



LD18047

FIGURE 9 - SYSTEM PIPING (YLAA0058, YLAA0065, YLAA0081)

TABLE 7 - SYSTEM PIPING STANDARD VALVES (PIN 32 = X) (YLAA0070, YLAA0080, YLAA0089, YLAA0092)

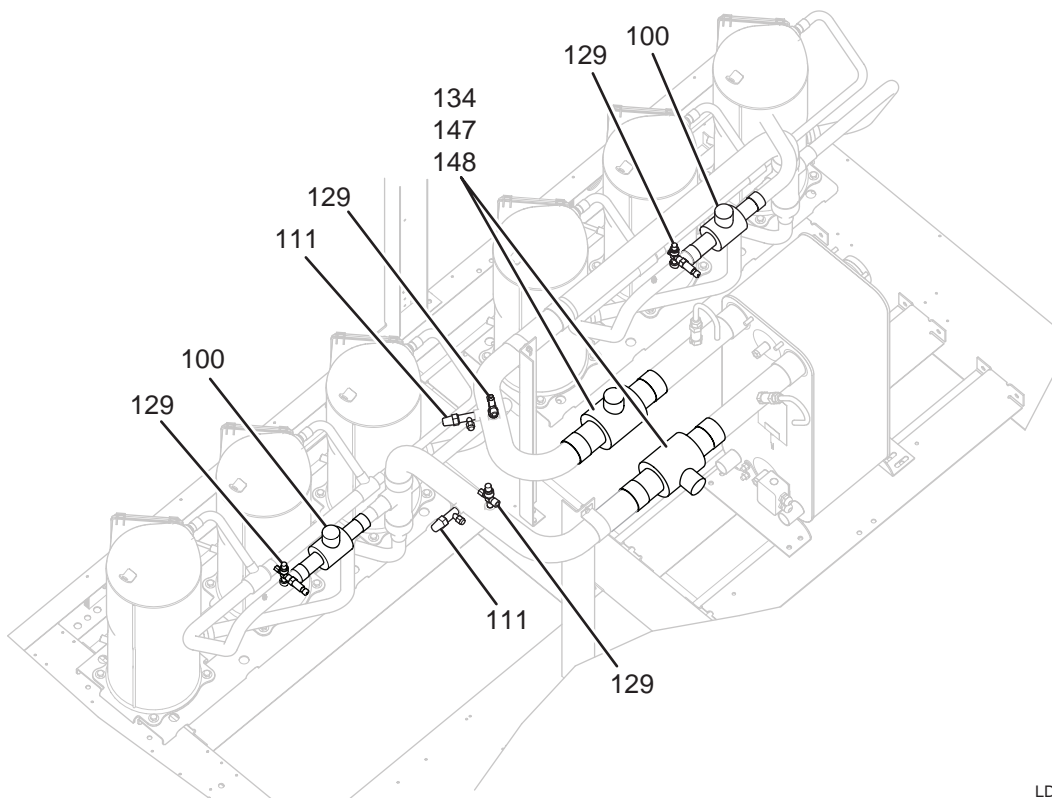
ITEM	DESCRIPTION	MODEL	PIN 31 OPTION	PART NUMBER	SAP NUMBER	FIGURE
100	VALVE, BALL 1-5/8 ODS CONN'S	YLAA0070, YLAA0080	X, C, S, B	022-08883-000	731236	10
102	VALVE TEV 1-1/8" X1-3/8" CONS TGEL40-35	YLAA0070, YLAA0080	X, C, S, B	025-40666-000	371841	11
	VALVE TEV 1-1/8" X1-3/8" CONNS	YLAA0089, YLAA0092	X, C, S, B	025-40681-000	739877	
103	Special adapter / Connector 1.125in M24	YLAA0070, YLAA0080, YLAA0089, YLAA0092	X, C, S, B	026-37544-000	740965	11
104	VALVE	YLAA0070, YLAA0080, YLAA0089, YLAA0092	X, C, S, B	022-10022-000	62512	11
105	VALVE, SOLENOID 1-1/8 " ODF	YLAA0070, YLAA0080, YLAA0089, YLAA0092	X, C, S, B	025-41743-000	740010	11
106	FILTER DRIER CORE 2 C-969	YLAA0070, YLAA0080, YLAA0089, YLAA0092	X, C, S, B	026-43984-002	415229	11
107	CTG DEHY 100 PERCENT MOLECULAR	YLAA0070, YLAA0080, YLAA0089, YLAA0092	X, C, S, B	026-37540-000	740964	11
110	Valve ISLN Angle SC 1/4in CONmix Br	YLAA0070, YLAA0080, YLAA0089, YLAA0092	X, C, S, B	022-00009-000	257712	11
111	VALVE, CHARGING BRASS	YLAA0070, YLAA0080, YLAA0089, YLAA0092	X, C, S, B	022-09754-000	391983	10
112	Bracket Filter Drier Mmhp	YLAA0070, YLAA0080, YLAA0089, YLAA0092	X, C, S, B	092-07700-001	817337	11
127	ADAPTER FLA 1/4 EXT X	YLAA0070, YLAA0080, YLAA0089, YLAA0092	X, C, S, B	023-06596-000	731830	*
128	ADAPTER SADDLE FOR PIPING	YLAA0070, YLAA0080, YLAA0089, YLAA0092	X, C, S, B	023-20817-002	411261	*
129	VALVE, TRANSDUCER 1/2 SOLDER X	YLAA0070, YLAA0080, YLAA0089, YLAA0092	X, C, S, B	022-11735-000	430728	10
131	Moist indic OD=24mm THD	YLAA0070, YLAA0080, YLAA0089, YLAA0092	X, C, S, B	026-37548-000	638590	11
133	BRACKET FILTER DRIER MMHP	YLAA0070, YLAA0080, YLAA0089, YLAA0092	X, C, S, B	075-45650-000	751600	11
134	VALVE, BALL 1-5/8 ODS CONN'S	YLAA0092	X, C, S, B	022-08883-000	731236	10
	VALVE SHUT OFF BALL VALVE	YLAA0070, YLAA0080	S, B	022-09753-000	378432	
135	VALVE TEV 1-1/8" X1-3/8" CONS TGEL40-35	YLAA0080	X, C, S, B	025-40666-000	371841	11
		YLAA0092	X, C, S, B	022-10022-000	62512	
136	FILTER DRIER CORE 2 C-969	YLAA0092	X, C, S, B	026-43984-002	415229	11
137	VALVE TEV 1-1/8" X1-3/8" CONNS	YLAA0080	X, C	025-40681-000	739877	11
	VALVE, SOLENOID 1-1/8 " ODF	YLAA0092	X, C, S, B	025-41743-000	740010	
139	VALVE TEV 1-1/8" X1-3/8" CONNS	YLAA0092	X, C, S, B	025-40681-000	739877	11
147	VALVE SHUT OFF BALL VALVE	YLAA0092	S, B	022-09753-000	378432	10
148	VALVE SHUT OFF BALL VALVE	YLAA0092	S, B	022-09753-000	378432	10

NOTE: Items with an * are NOT represented.

TABLE 8 - SYSTEM PIPING EEV (PIN 32 = E) (YLAA0070, YLAA0080, YLAA0089 - YLAA120)

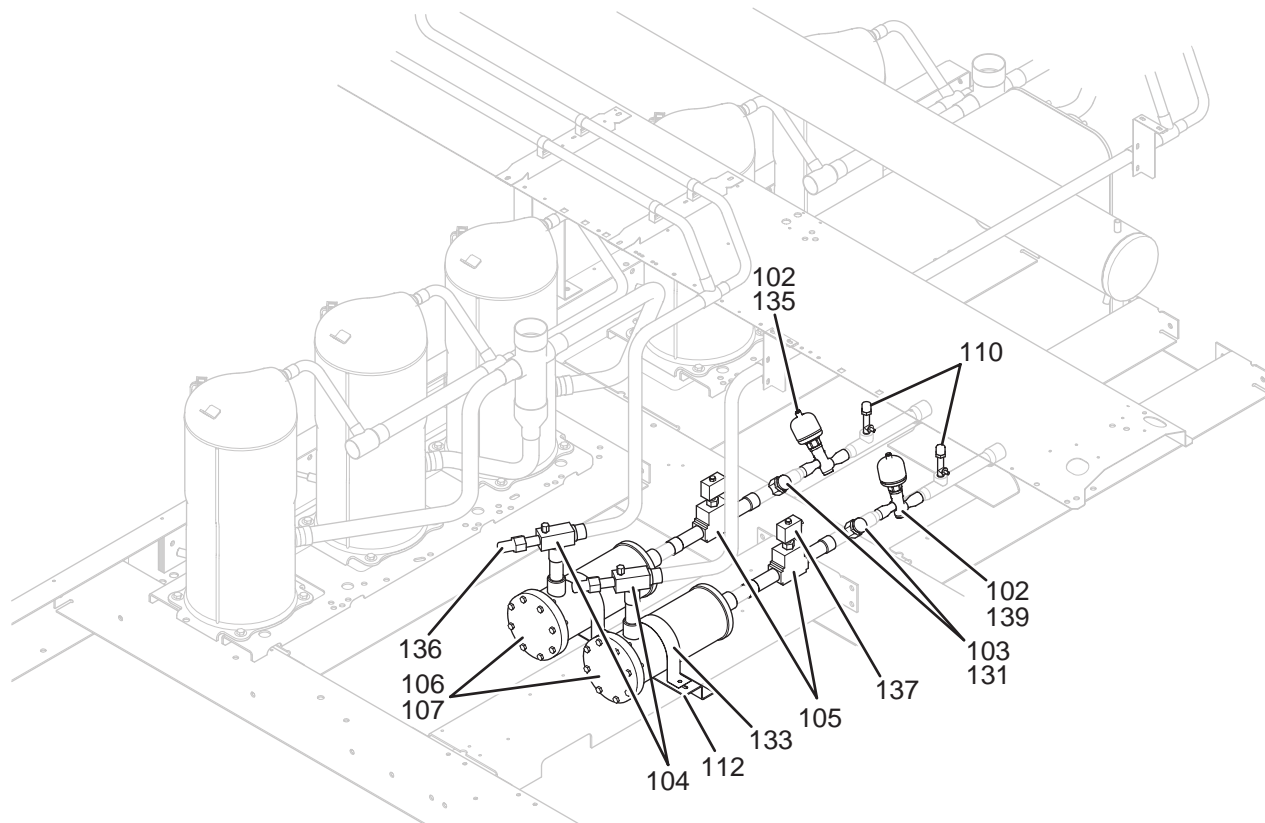
ITEM	DESCRIPTION	MODEL	PIN 31 OPTION	PART NUMBER	SAP NUMBER	FIGURE
100	VALVE, BALL 1-5/8 ODS CONN'S	YLAA0070, YLAA0080, YLAA0089 - YLAA0120	X, C, S, B	022-08883-000	731236	10
102	Valve EXV 1-1/8in Br Br 48.0 bar 24 A/D	YLAA0070, YLAA0080, YLAA0089	X, C, S, B	025-47116-005	5121438	11
		YLAA0092, YLAA0100, YLAA0101		025-47116-001	1188202	
		YLAA0115, YLAA120		025-47116-002	1188203	
104	VALVE	YLAA0070, YLAA0080, YLAA0089 - YLAA0120	X, C, S, B	022-10022-000	62512	11
105	VALVE, SOLENOID 1-1/8 " ODF	YLAA0070, YLAA0080, YLAA0089 - YLAA0120	X, C, S, B	025-41743-000	740010	11
106	FILTER DRIER CORE 2 C-969	YLAA0070, YLAA0080, YLAA0089 - YLAA0120	X, C, S, B	026-43984-002	415229	11
107	CTG DEHY 100 PERCENT MOLECULAR	YLAA0070, YLAA0080, YLAA0089 - YLAA0120	X, C, S, B	026-37540-000	740964	11
110	Valve ISLN Angle SC 1/4in CONmix Br	YLAA0070, YLAA0080, YLAA0089 - YLAA0120	X, C, S, B	022-00009-000	257712	11
111	VALVE, CHARGING BRASS	YLAA0070, YLAA0080, YLAA0089 - YLAA0120	X, C, S, B	022-09754-000	391983	10
127	ADAPTER FLA 1/4 EXT X	YLAA0070, YLAA0080, YLAA0089 - YLAA0120	X, C, S, B	023-06596-000	731830	*
128	ADAPTER SADDLE FOR PIPING	YLAA0070, YLAA0080, YLAA0089 - YLAA0120	X, C, S, B	023-20817-002	411261	*
129	VALVE, TRANSDUCER 1/2 SOLDER X	YLAA0070, YLAA0080, YLAA0089 - YLAA0120	X, C, S, B	022-11735-000	430728	10
133	BRACKET FILTER DRIER MMHP	YLAA0070, YLAA0080, YLAA0089 - YLAA0120	X, C, S, B	075-45650-000	751600	11
134	VALVE, BALL 1-5/8 ODS CONN'S	YLAA0092 - YLAA0120	X, C, S, B	022-08883-000	731236	10
	VALVE SHUT OFF BALL VALVE	YLAA0070, YLAA0080, YLAA0089	S, B	022-09753-000	378432	
135	VALVE	YLAA0092 - YLAA0120	X, C, S, B	022-10022-000	62512	11
136	FILTER DRIER CORE 2 C-969	YLAA0092 - YLAA0120	X, C, S, B	026-43984-002	415229	11
137	VALVE, SOLENOID 1-1/8 " ODF	YLAA0092 - YLAA0120	X, C, S, B	025-41743-000	740010	11
138	Special adapter / Connector 1.125in M24	YLAA0115	S, B	026-37544-000	740965	*
139	Valve EXV 1-1/8in Br Br 48.0 bar 24 VAC	YLAA0092	X, C, S, B	025-47116-001	1188202	11
	Valve EXV 1-1/8in Br Br 48.0 bar 24 VAC	YLAA0100 - YLAA0120		025-47116-002	1188203	
147	VALVE SHUT OFF BALL VALVE	YLAA0092 - YLAA0120	S, B	022-09753-000	378432	10
148	VALVE SHUT OFF BALL VALVE	YLAA0092 - YLAA0120	S, B	022-09753-000	378432	10

NOTE: Items with an * are NOT represented.



LD18048

FIGURE 10 - SYSTEM PIPING (YLAA0070, YLAA0080, YLAA0089)



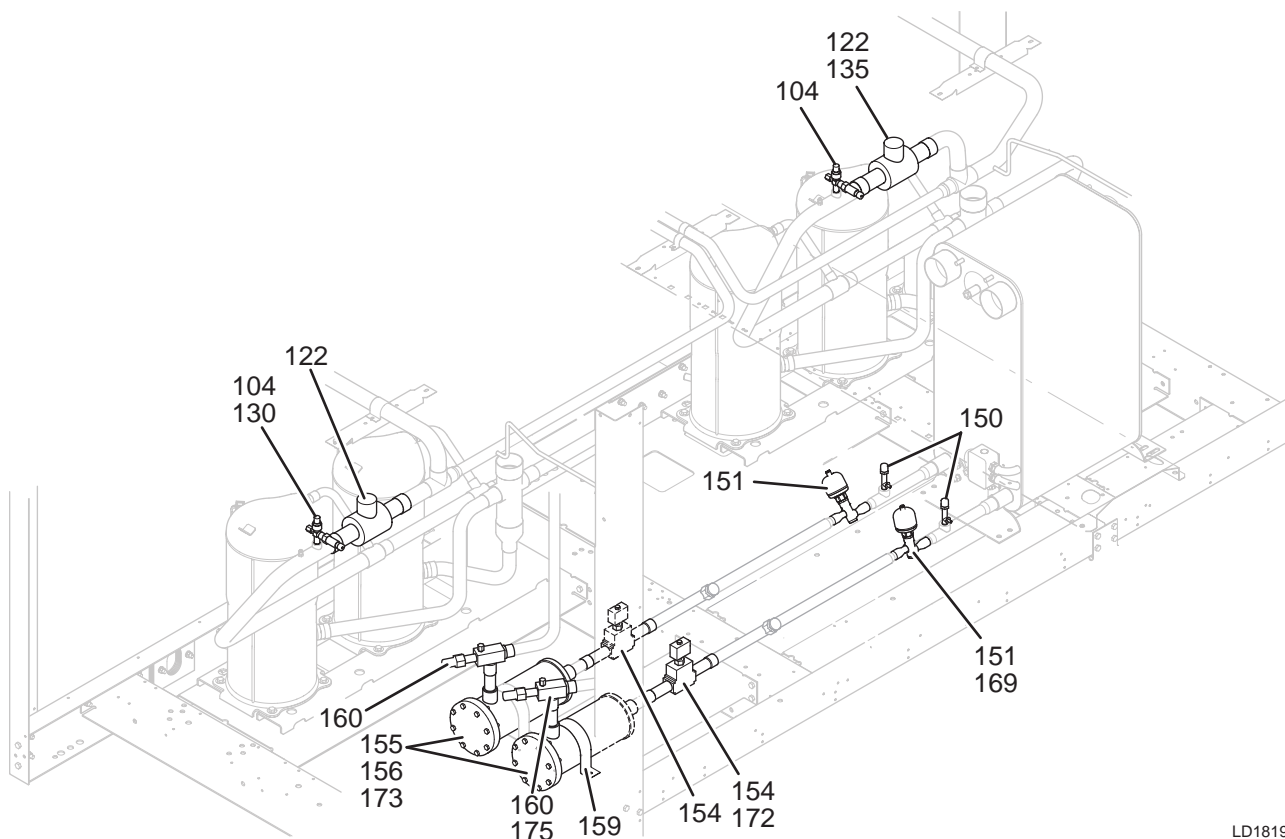
LD18049

FIGURE 11 - SYSTEM PIPING (YLAA0070, YLAA0080, YLAA0089)

TABLE 9 - SYSTEM PIPING EEV (PIN 32 = E) (YLAA0125 - YLAA0155)

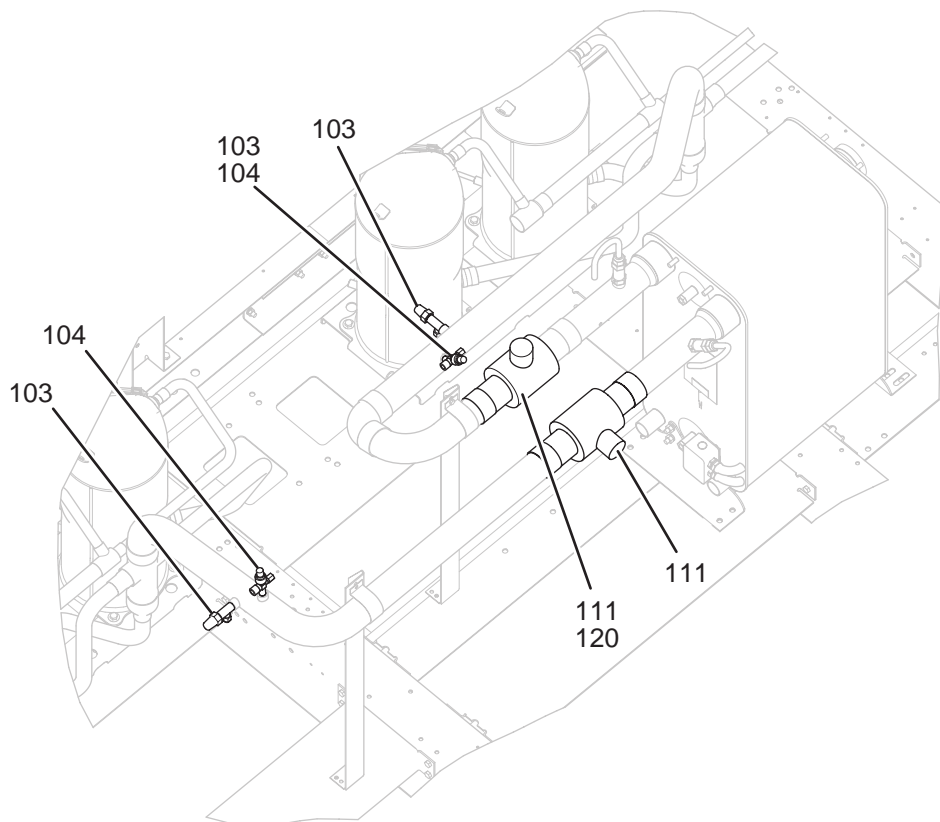
ITEM	DESCRIPTION	MODEL	PIN 31 OPTION	PART NUMBER	SAP NUMBER	FIGURE
103	Valve, charging brass	YLAA0125 - YLAA0155	X, C, S, B	022-09754-000	391983	13
104	Valve, transducer 1/2 solder x	YLAA0125 - YLAA0155	X, C, S, B	022-11735-000	430728	12 & 13
111	Valve shut off ball valve	YLAA0125	S, B	022-09753-000	378432	13
	Valve isln ball sc 3-1/8in s br	YLAA0136 - YLAA0155	S, B	022-11325-000	444576	
120	Valve shut off ball valve	YLAA0136 - YLAA0155	S, B	022-09753-000	378432	13
122	Valve, ball 1-5/8 ods conn's	YLAA0125	X, C, S, B	022-08883-000	731236	12
	Valve, ball 2-1/8 ods conn	YLAA0136 - YLAA0155	X, C, S, B	022-09752-000	731278	
127	Adapter saddle for piping	YLAA0125 - YLAA0155	X, C, S, B	023-20817-002	411261	*
130	Adapter fla 1/4 ext x	YLAA0125 - YLAA0155	X, C, S, B	023-06596-000	731830	12
135	Valve, ball 1-5/8 ods conn's	YLAA0136 - YLAA0155	X, C, S, B	022-08883-000	731236	12
150	Valve isln angle sc 1/4in conmix br	YLAA0125 - YLAA0155	X, C, S, B	022-00009-000	257712	12
151	Valve exv 1-1/8in br br 48.0 Bar 24 vac	YLAA0125 - YLAA0155	X, C, S, B	025-47116-002	1188203	12
154	Valve, solenoid 1-1/8 " odf	YLAA0125	X, C, S, B	025-41743-000	740010	12
	Valve solenoid 1-3/8" odf	YLAA0136 - YLAA0155	X, C, S, B	025-42090-000	394340	
155	Filter drier core 2 c-969	YLAA0125	X, C, S, B	026-43984-002	415229	12
	Filter drier core 3 c-14411	YLAA0136 - YLAA0155	X, C, S, B	026-43984-003	741132	
156	Ctg dehy 100 percent molecular	YLAA0125 - YLAA0155	X, C, S, B	026-37540-000	740964	12
159	Bracket filter drier mmhp	YLAA0125 - YLAA0155	X, C, S, B	075-45650-000	740964	12
160	Valve	YLAA0125	X, C, S, B	022-10022-000	62512	12
	Valve isln angle sc 1-3/8in br br	YLAA0136, YLAA0142, YLAA0150, YLAA0155	X, C, S, B	022-09778-000	731282	
169	Valve exv 1-1/8in br br 48.0 Bar 24 vac	YLAA0136	X, C, S, B	025-47116-001	1188202	12
		YLAA0150		025-47116-002	1188203	
172	Valve, solenoid 1-1/8 " odf	YLAA0136, YLAA0150, YLAA0155	X, C, S, B	025-41743-000	740010	12
173	Filter drier core 2 c-969	YLAA0136, YLAA0150, YLAA0155	X, C, S, B	026-43984-002	415229	12
175	Valve	YLAA0136	X, C, S, B	022-10022-000	62512	12

NOTE: Items with an * are NOT represented.



LD18196

FIGURE 12 - SYSTEM PIPING (YLAA0125, YLAA0136, YLAA0142, YLAA0150, YLAA0155)



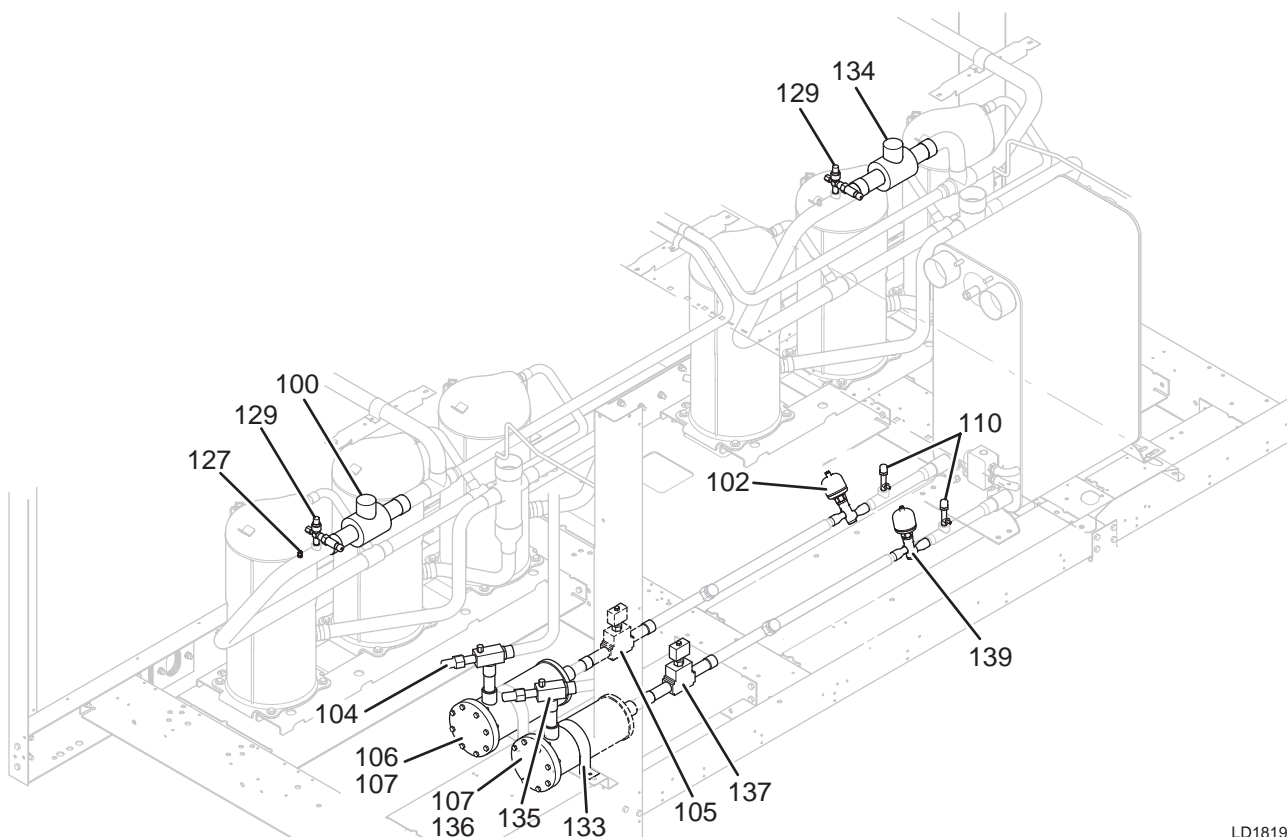
LD18197

FIGURE 13 - SYSTEM PIPING (YLAA0125, YLAA0136, YLAA0142, YLAA0150, YLAA0155)

TABLE 10 - SYSTEM PIPING EEV (PIN 32 = E) (YLAA0156 - YLAA0175)

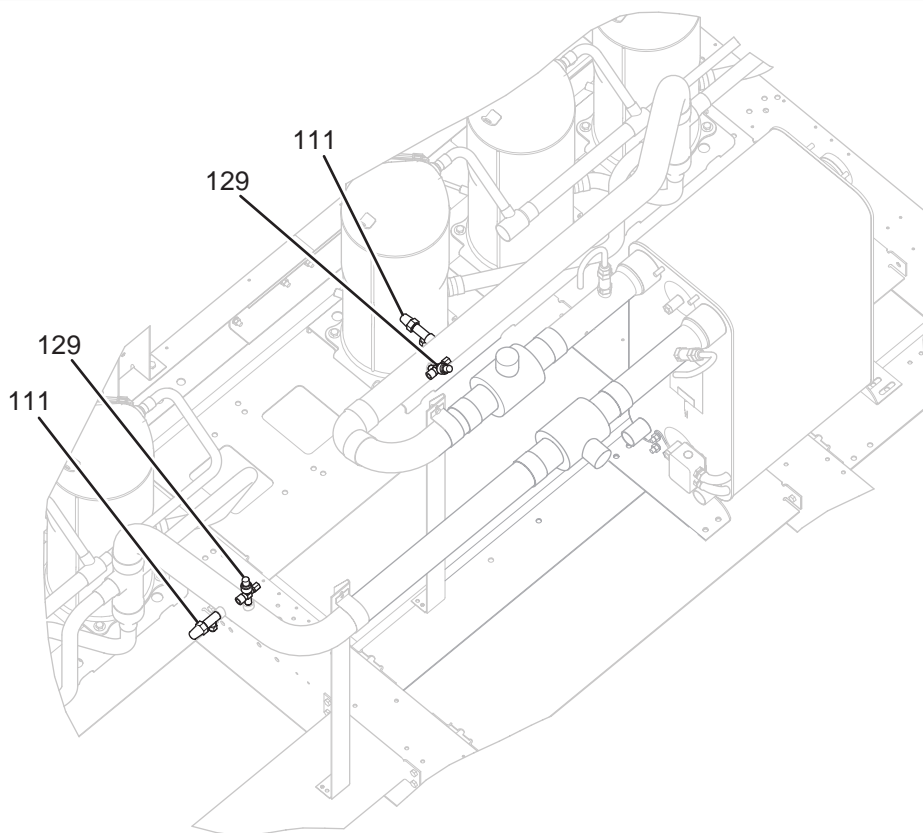
ITEM	DESCRIPTION	MODEL	PIN 31 OPTION	PART NUMBER	SAP NUMBER	FIGURE
100	Valve, ball 2-1/8 ods conn	YLAA0156, YLAA0170, YLAA0175	X, C, S, B	022-09752-000	731278	14
102	Valve exv 1-1/8in br br 48.0 Bar 24 vac	YLAA0156, YLAA0170, YLAA0175	X, C, S, B	025-47116-002	1188203	14
104	Valve isln angle sc 1-3/8in br br	YLAA0156, YLAA0170, YLAA0175	X, C, S, B	022-09778-000	731282	14
105	Valve solenoid 1-3/8" odf	YLAA0156, YLAA0170, YLAA0175	X, C, S, B	025-42090-000	394340	14
106	Filter drier core 3 c-14411	YLAA0156, YLAA0170, YLAA0175	X, C, S, B	026-43984-003	741132	14
107	Ctg dehy 100 percent molecular	YLAA0156, YLAA0170, YLAA0175	X, C, S, B	026-37540-000	740964	14
110	Valve isln angle sc 1/4in conmix br	YLAA0156, YLAA0170, YLAA0175	X, C, S, B	022-00009-000	257712	14
111	Valve, charging brass	YLAA0156, YLAA0170, YLAA0175	X, C, S, B	022-09754-000	391983	15
127	Adapter fla 1/4 ext x	YLAA0156, YLAA0170, YLAA0175	X, C, S, B	023-06596-000	731830	14
128	Adapter saddle for piping	YLAA0156, YLAA0170, YLAA0175	X, C, S, B	023-20817-002	411261	*
129	Valve, transducer 1/2 solder x	YLAA0156, YLAA0170, YLAA0175	X, C, S, B	022-11735-000	430728	14 & 15
133	Bracket filter drier mmhp	YLAA0156, YLAA0170, YLAA0175	X, C, S, B	075-45650-000	751600	14
134	Valve, ball 1-5/8 ods conn's	YLAA0156	X, C, S, B	022-08883-000	731236	14
	Valve, ball 2-1/8 ods conn	YLAA0170, YLAA175	X, C, S, B	022-09752-000	731278	
135	Valve	YLAA0156	X, C, S, B	022-10022-000	62512	14
		YLAA0170, YLAA175	X, C, S, B	022-09778-000	731282	
136	Filter drier core 2 c-969	YLAA0156	X, C, S, B	026-43984-002	415229	14
	Filter drier core 3 c-14411	YLAA0170, YLAA175	X, C, S, B	026-43984-003	741132	
137	Valve, solenoid 1-1/8 " odf	YLAA0156	X, C, S, B	025-41743-000	740010	14
	Valve solenoid 1-3/8" odf	YLAA0170, YLAA175	X, C, S, B	025-42090-000	394340	
139	Valve exv 1-1/8in br br 48.0 Bar 24 vac	YLAA0156	X, C, S, B	025-47116-002	1188203	14
141	Adapter saddle for piping	YLAA0156	X, C, S, B	023-20817-002	411261	*

NOTE: Items with an * are NOT represented.



LD18193

FIGURE 14 - SYSTEM PIPING (YLAA0156, YLAA0170, YLAA0175)



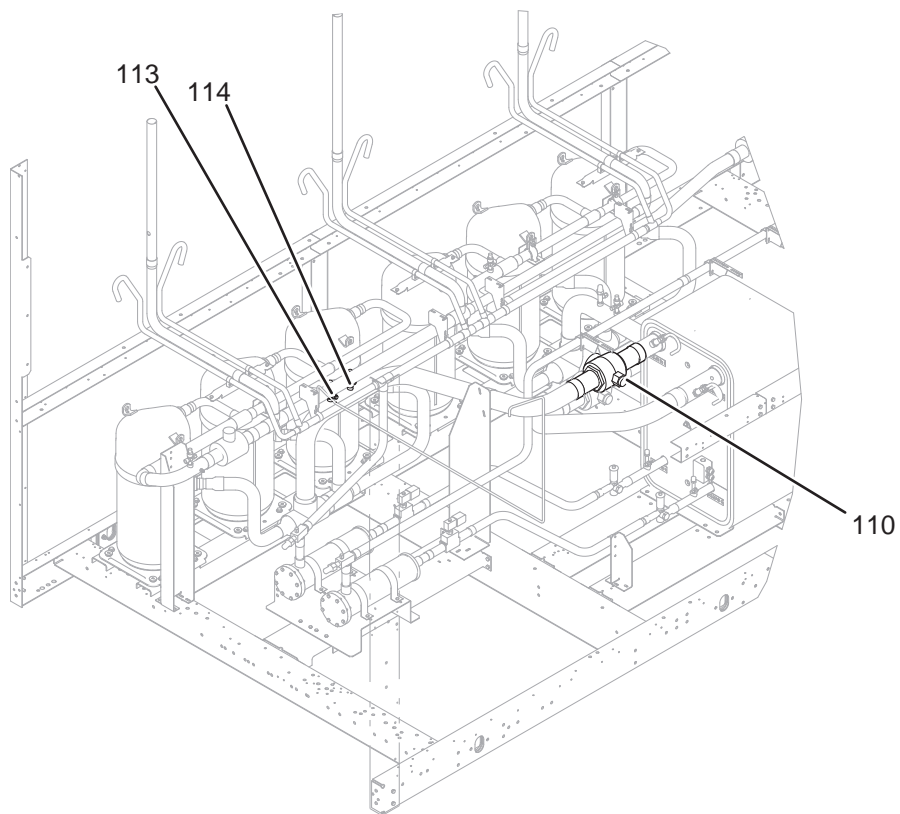
LD18194

FIGURE 15 - SYSTEM PIPING (YLAA0156, YLAA0170, YLAA0175)

TABLE 11 - SYSTEM PIPING EEV (PIN 32 = E) (YLAA0200 & YLAA0230)

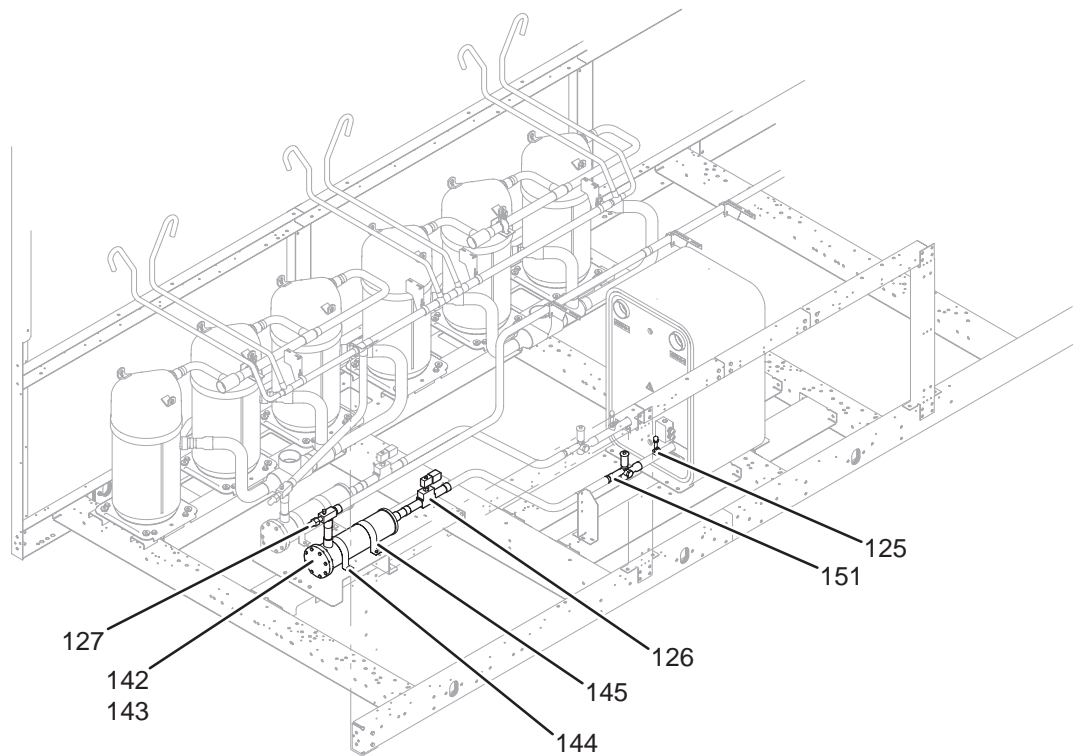
ITEM	DESCRIPTION	MODEL	PIN 31 OPTION	PART NUMBER	SAP NUMBER	FIGURE
110	Valve ISLN Ball SC 3-1/8in S Br	YLAA0200, YLAA230	S, B	022-11325-000	444576	16
113	VALVE, TRANSDUCER 1/2 SOL- DER X	YLAA0200, YLAA230	X, C, S, B	022-11735-000	430728	16
114	VALVE, CHARGING BRASS	YLAA0200, YLAA230	X, C, S, B	022-09754-000	391983	16
125	Valve ISLN Angle SC 1/4in CONmix Br	YLAA0200, YLAA230	X, C, S, B	022-00009-000	257712	17
126	VALVE SOLENOID 1-3/8" ODF	YLAA0200, YLAA230	X, C, S, B	025-42090-000	394340	17
127	Valve ISLN Angle SC 1-3/8in Br Br	YLAA0200, YLAA230	X, C, S, B	022-09778-000	731282	17
136	ADAPTER FLA 1/4 EXT X	YLAA0200, YLAA230	X, C, S, B	023-06596-000	731830	18
137	VALVE, BALL 2-1/8 ODS CONN	YLAA0200, YLAA230	X, C, S, B	022-09752-000	731278	18
142	CTG DEHY 100 PERCENT MO- LECULAR	YLAA0200, YLAA230	X, C, S, B	026-37540-000	740964	18
143	FILTER DRIER CORE 3 C-14411	YLAA0200, YLAA230	X, C, S, B	026-43984-003	741132	18
144	BRACKET SUPPORT FILTER DIR- ERS	YLAA0200, YLAA230	X, C, S, B	092-41485-015	5197152	18
145	BRACKET FILTER DRIER MMHP	YLAA0200, YLAA230	X, C, S, B	075-45650-000	751600	18
150	ADAPTER SADDLE FOR PIPING	YLAA0200, YLAA230	X, C, S, B	023-20817-002	411261	18
151	Valve EXV 1-1/8in Br Br 48.0 bar 24 A/D	YLAA0200, YLAA230	X, C, S, B	025-47116-007	5121500	17

NOTE: Items with an * are NOT represented.



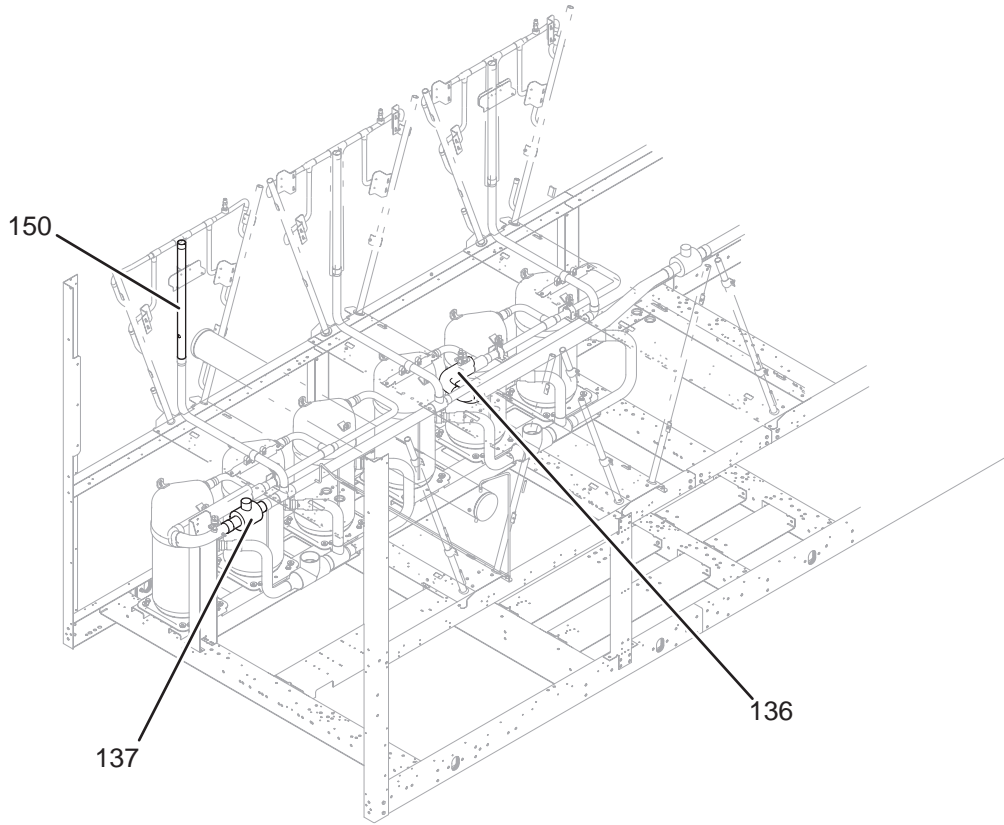
LD23169

FIGURE 16 - SYSTEM PIPING (YLAA200, YLAA230)



LD23170

FIGURE 17 - SYSTEM PIPING (YLAA200, YLAA230)



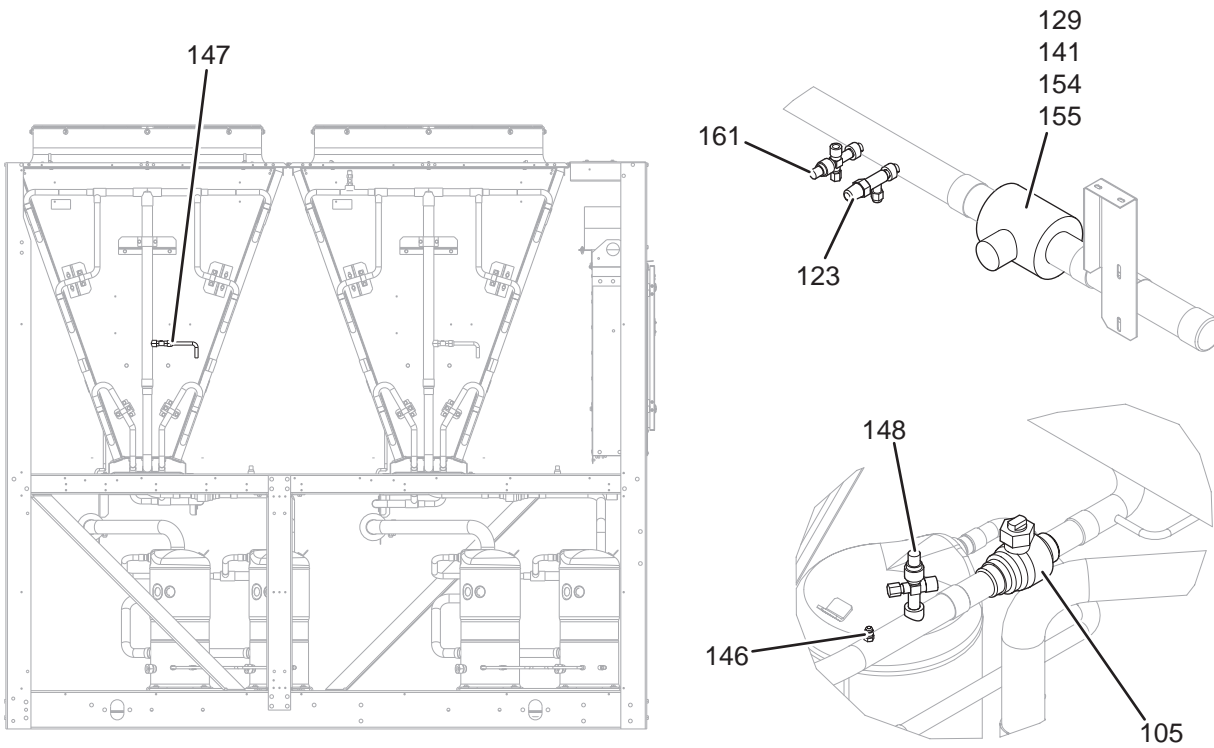
LD23171

FIGURE 18 - SYSTEM PIPING (YLAA200, YLAA230)

TABLE 12 - SYSTEM PIPING STANDARD AND EEV (PIN 32 =X, E) (YLAA0058 - YLAA0175)

ITEM	DESCRIPTION	MODEL	PIN 31 OPTION	PART NUMBER	SAP NUMBER	FIGURE
105	VALVE, BALL 1-3/8 ODS CONN	YLAA0058, YLAA0065, YLAA0081	X, E	022-09750-000	731277	19
	VALVE, BALL 1-5/8 ODS CONN'S	YLAA0070 - YLAA0092	E	022-08883-000	731236	
		YLAA0100 - YLAA0136				
	VALVE, BALL 2-1/8 ODS CONN	YLAA0142, YLAA0150 - YLAA0175	E	022-09752-000	731278	
123	VALVE, CHARGING BRASS	YLAA0058 - YLAA0092	X, E	022-09754-000	391983	19
		YLAA0100 - YLAA0175	E			
129	VALVE, BALL 1-5/8 ODS CONN'S	YLAA0125, YLAA0142 - YLAA0156	E	022-08883-000	731236	19
141	VALVE, BALL 2-1/8 ODS CONN	YLAA0058, YLAA0065	X, E	022-09752-000	731278	19
	VALVE SHUT OFF BALL VALVE	YLAA0065 - YLAA0092	X, E	022-09753-000	378432	
		YLAA0100 - YLAA0120	E			
146	ADAPTER FLA 1/4 EXT X	YLAA0058 - YLAA0092	X, E	023-06596-000	731830	19
		YLAA0100 - YLAA0175	E			
147	ADAPTER SADDLE FOR PIPING	YLAA0058 - YLAA0092	X, E	023-20817-002	411261	19
		YLAA0100 - YLAA0175	E			
148	VALVE, TRANSDUCER 1/2 SOLDER X	YLAA0058, YLAA0065, YLAA0081, YLAA0092	X, E	022-11735-000	430728	19
		YLAA0100 - YLAA0175	E			
154	Valve ISLN Ball SC 3-1/8in S Br	YLAA0125 - YLAA0142, YLAA0156 - YLAA0175	E	022-11325-000	444576	19
155	VALVE SHUT OFF BALL VALVE	YLAA0125, YLAA0136, YLAA0142 - YLAA0156	E	022-09753-000	378432	19
161	Valve, Relief 3/8-18npt X 1/2	YLAA0092	X, E	022-10682-000	827094	19
		YLAA0100 - YLAA0120	E			

NOTE: Items with an * are NOT represented.

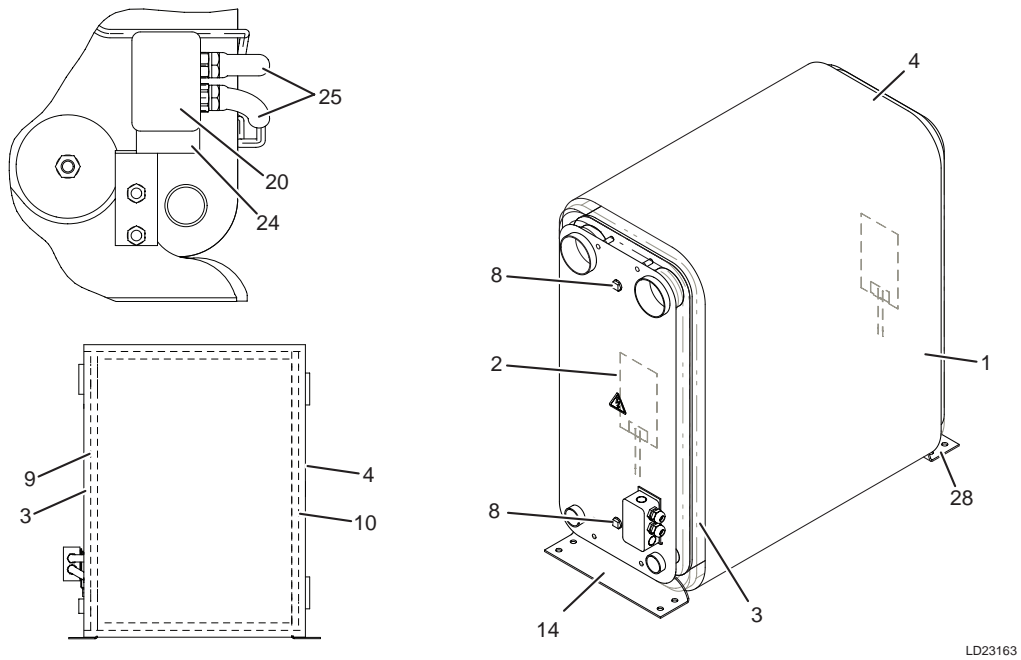


LD23172

FIGURE 19 - SYSTEM PIPING (YLAA058 - YLAA175)

TABLE 13 - COOLER, INSULATED

ITEM	DESCRIPTION	MODEL	PART NUMBER	SAP NUMBER	FIGURE
1	YLAA0058, YLAA0065 & YLAA0070	Htexch P&F Evaporator PSIG 650 / 650	026-50102-090	5330887	20
	YLAA0080		026-50102-106	5330888	
	YLAA0081		026-50102-163	5295696	
	YLAA0089, YLAA0092, YLAA0100, YLAA0101, YLAA0115, YLAA0125		026-50102-142	5295694	
	YLAA0120, YLAA0155		026-50102-210	5330889	
	YLAA0136		026-50102-162	5295695	
	YLAA0142		026-50102-211	5295697	
	YLAA0150, YLAA0156, YLAA0170		026-50102-162	5295695	
	YLAA0175		026-50102-230	5330890	
	YLAA0200		Htexch P&F Evaporator Bar 45 / 45	026-49649-150	
	YLAA0230	026-49649-170		5392874	
2	All Models	Strip Heater 70W 120V	025-45788-000	926437	20
3	YLAA0058 - YLAA0175	Ins Evapr Front 1St Layer	092-07709-001	817342	20
	YLAA0200, YLAA0230		092-41492-001	5197181	
4	YLAA0058 - YLAA0175	Ins Evapr Back 1St Layer	092-07709-002	817343	20
	YLAA0200, YLAA0230		092-41492-002	5197182	
8	YLAA0058 - YLAA0120	Well Thermo	026-32328-001	740780	20
	YLAA0136 - YLAA0230	Plug Pipe 1/2 Square Head	023-03822-000	48850	
9	All Models	Ins Evapr Front 2Nd Layer (Pin 39= D)	092-07709-003	817344	20
10	All Models	Ins Evapr Back 2Nd Layer (Pin 39 = D)	092-07709-004	817345	20
14	YLAA0058 - YLAA0175	Bracket	092-07700-000	817336	20
	YLAA0200, YLAA0230		092-41485-031	5263023	
20	All Models	Encl Elec H=94.00Mm W=65.00Mm D=57.00Mm	025-45746-000	911526	20
24	All Models	Bracket Phx Junc Box	092-07700-035	911527	20
25	All Models	Fitting Liquid Tight 1/2 Npt	025-45840-000	926438	20
28	YLAA0058 - YLAA0175	Bracket Heat Exchanger	092-07700-042	1059827	20
	YLAA0200, YLAA0230		092-41485-030	5263022	

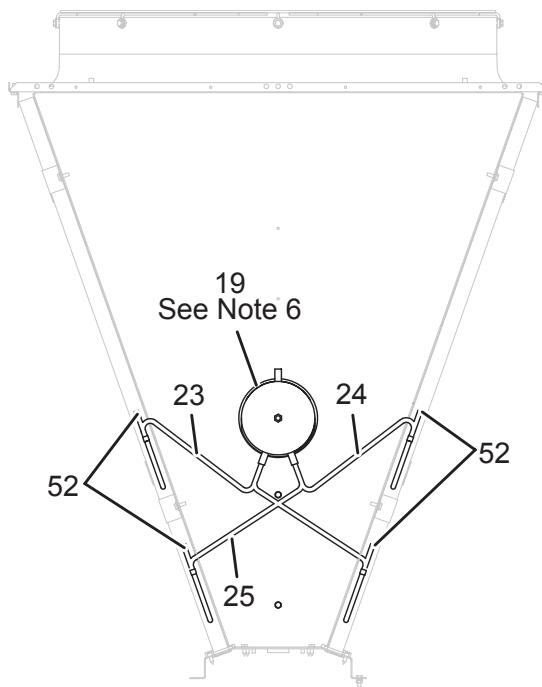


LD23163

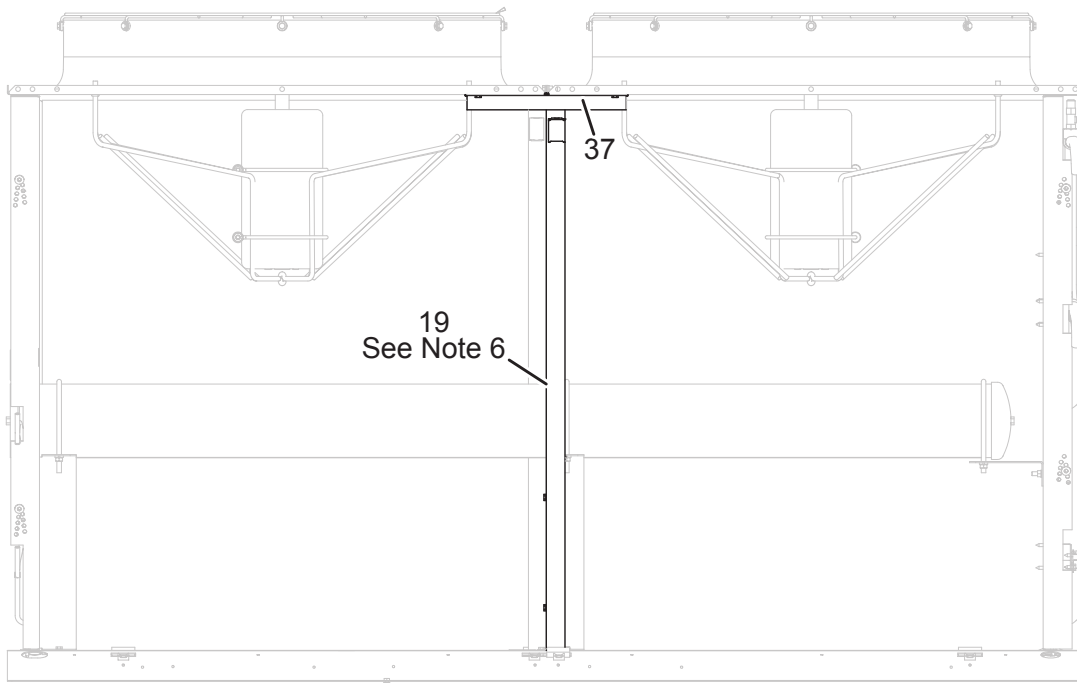
FIGURE 20 - COOLER, INSULATED

TABLE 14 - CONDENSER COILS

ITEM	DESCRIPTION	MODEL	PART NUMBER	SAP	FIGURE
1	Support Lower Coil	YLAA0058 - YLAA0230	075-77929-001	394624	23
2	Coil Microchannel 81.69X47.68	YLAA0058 - YLAA0230	026-45535-000	741223	22
3	VEE Panel Header End	YLAA0058 - YLAA0230	075-77929-002	394625	23
4	VEE Panel Receiver End	YLAA0058 - YLAA0230	075-77929-003	394626	23
4a	VEE Panel Receiver End	YLAA0092 - YLAA0175	075-77929-008	440150	23
5	VEE Panel Micro Channel	YLAA0058 - YLAA0230	075-77929-004	394627	23
5a	VEE Panel Micro Channel	YLAA0092, YLAA0101, YLAA0115 - YLAA0175	075-74862-005	404174	23
5b	Panel 'A' Micro Channel	YLAA0100	075-76114-000	446951	23
6	Clamp Header	YLAA0058 - YLAA0230	075-74862-007	407226	23
7	Cable Tie Holder	YLAA0058 - YLAA0230	028-15993-000	742178	23
8	Mount Coil Y-Chassis	YLAA0058 - YLAA0230	028-15820-000	394353	23
9	Header Bushing Microchannel	YLAA0058 - YLAA0230	028-15821-000	742157	23
11	Bracket Receiver Support	YLAA0058 - YLAA0230	075-74862-008	394511	23
12	Bracket Receiver Support	YLAA0058 - YLAA0230	075-77929-005	440145	23
13	Tee Sld C X C X C 1-1/8 X	YLAA0058 - YLAA0230	023-04269-000	392000	22
14	Pipe Disch Microchannel Coil	YLAA0058 - YLAA0230	075-74849-004	394507	22
15	Tee Sld C X C X C 1-1/8 X	YLAA0058 - YLAA0230	023-02717-000	414153	22
16	Pipe Disch Micro Channel Coil	YLAA0058 - YLAA0230	075-77930-009	758163	22
17	Pipe Disch Micro Channel Coil	YLAA0058 - YLAA0230	075-77930-008	394634	22
19	Gasket Neoprene 1/2 X 1 X Roll	YLAA0058 - YLAA0230	028-11838-000	741665	21, 23
20	Pipe Disch Micro Channel Coil	YLAA0058 - YLAA0230	075-77930-010	758164	22
21	Pipe Disch Micro Channel Coil	YLAA0058 - YLAA0230	075-77930-011	758165	22
23	Pipe Coil To Receiver	YLAA0058 - YLAA0230	075-77930-001	394632	21
24	Pipe Coil To Receiver	YLAA0092 - YLAA0175	075-77930-002	404177	21
25	Pipe Coil To Receiver	YLAA0058 - YLAA0230	075-77930-003	394633	21
37	Bracket Coil	YLAA0058 - YLAA0230	075-74840-021	394506	21
41	Panel Top Cover	YLAA0100	075-76115-000	446952	22
42	Panel Btm 1 Fan	YLAA0100	075-75915-000	394560	23
43	Support Pipe	YLAA0058 - YLAA0230	075-77929-006	394629	22
44	Support Pipe	YLAA0058 - YLAA0230	075-77929-007	394630	22
45	Clamp Tube 1-5/8	YLAA0058 - YLAA0230	066-88928-000	372793	22
46	Clamp Tube 7/8 Id	YLAA0058 - YLAA0230	075-50979-078	518760	22
50	Bush Snap 1-5/8 IS Hole	YLAA0058 - YLAA0230	025-13418-000	737359	23
51	Support Pipe	YLAA0058 - YLAA0230	075-77929-010	430478	22
52	Tube Cu La 2.50 Lg X 3/8 Od	YLAA0058 - YLAA0230	075-07046-001	749765	21



BACK



NOTES:

1. Process per m-166.
2. A. Braze all copper to copper joints per mos 15-2-16 (Item 39)
B. Braze all copper to steel joints per mos 15-2-12 (Item 40)
3. Use dry nitrogen inside tubing and joins for all brazing. Never immerse joint in water for cooling,
4. Add strip gasket along side flanges of front and back V-Panels directly in line with the center of the coil tube before putting coil assemblies in place.
5. Add a double thickness of gasket (Item 19) along entire top edge of top coil face on both coils to prevent air flow.
6. Wrap item 19 all the way around the receiver, up against the V-Panel, to block air flow.
7. Add a double thickness of gasket (Item 19) along entire top edge of top coil face on one coil to prevent air flow.
8. Do not align the pipes with the clamps or bracket. This is to offset the shop tolerance buildup.

LD16779

FIGURE 21 - CONDENSER COILS

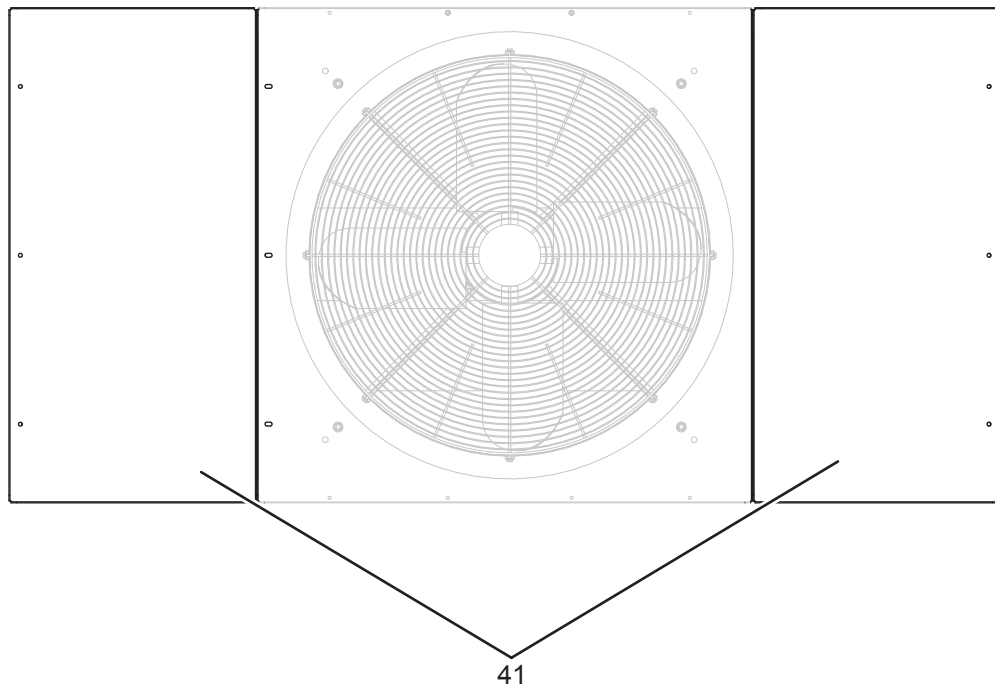
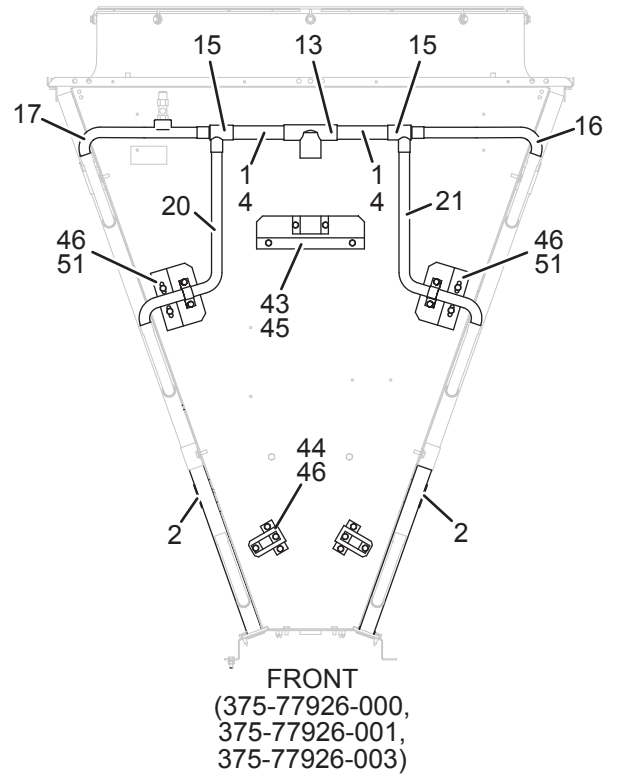
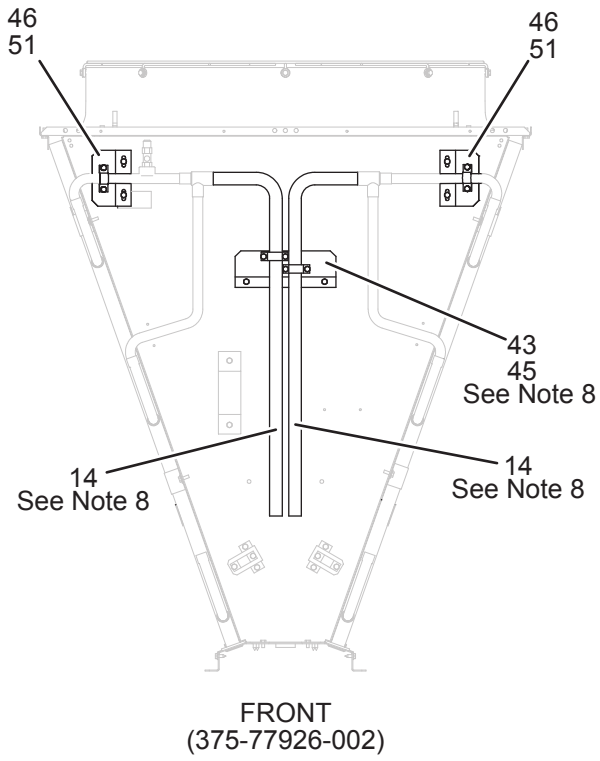
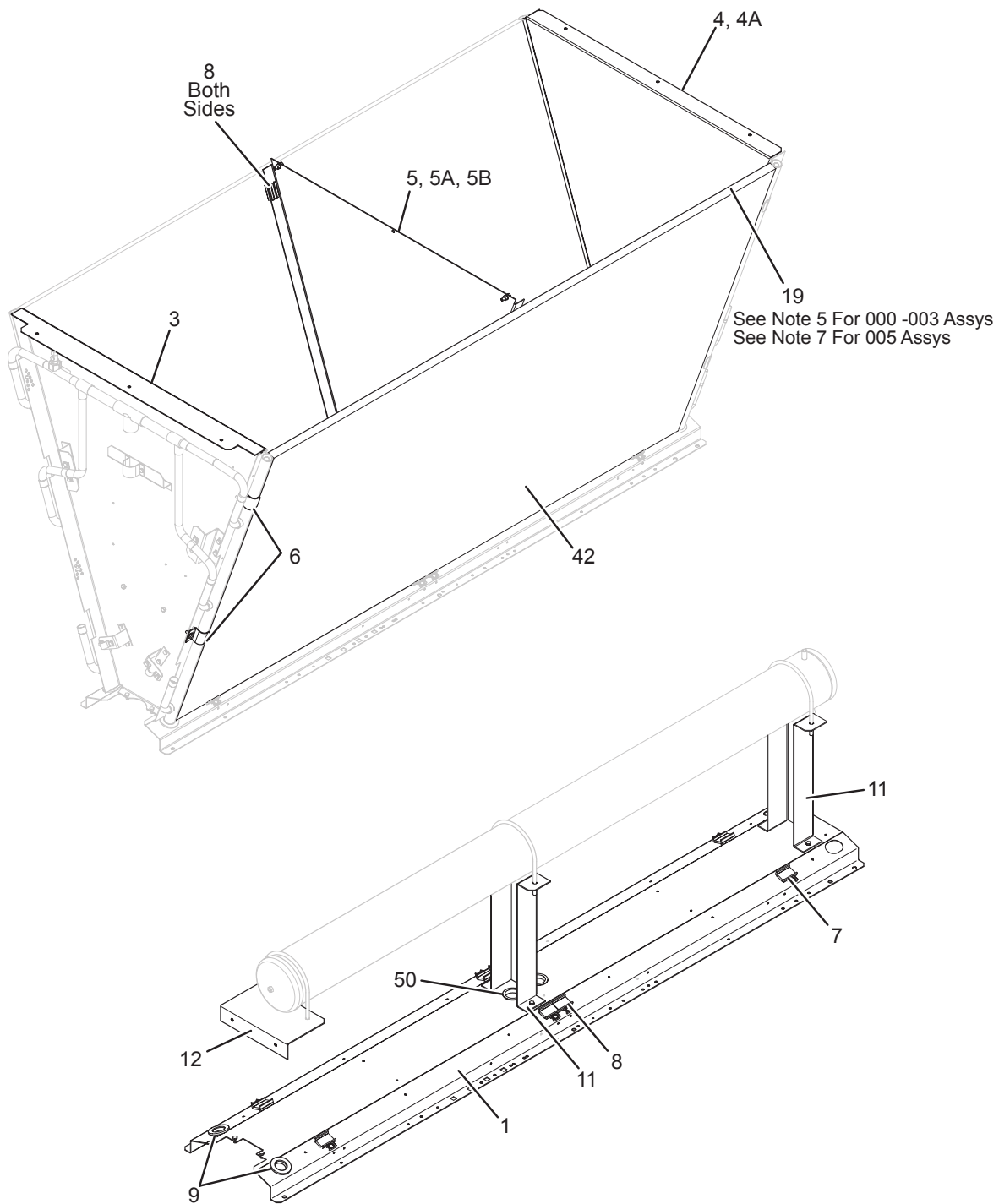


FIGURE 22 - CONDENSER COILS



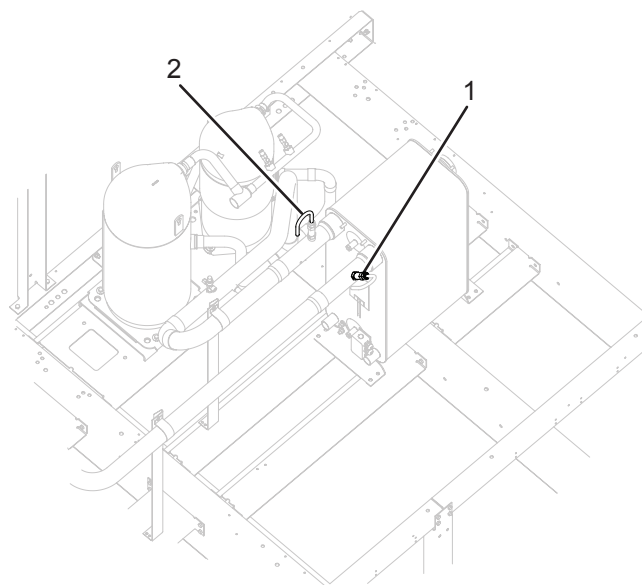
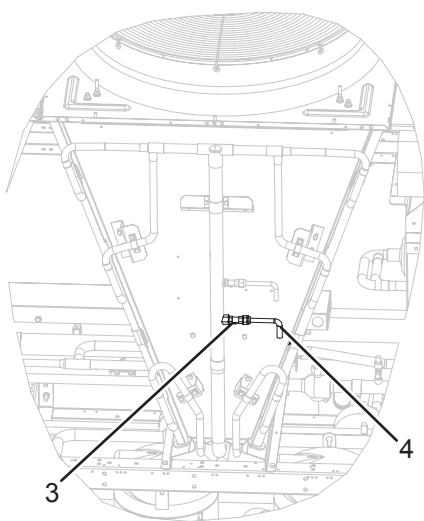
LD16779b

FIGURE 23 - CONDENSER COILS

RELIEF SAFETY DEVICES

TABLE 15 - RELIEF SAFETY DEVICES

ITEM	DESCRIPTION	PART NUMBER	SAP
1	Valve Relief (450 PSIG)	022-11879-000	731443
	Valve Relief (450 PSIG) Model 0200, 0230	022-13196-000	5281093
2	Tube Relief Valve Kit	375-37978-000	410839
	Tube Relief Valve	075-37977-000	410932
	FLA Short Forged 45 Nut	021-05663-000	115672
3	Valve Relief (43.1 lbs. of Air/Min)	022-10682-001	394324
4	Tube Relief Valve DXST Kit	375-37975-000	410931
	Tube Relief Valve	075-37974-000	410933
	FLA Short Forged 45 Nut	021-05663-000	115672



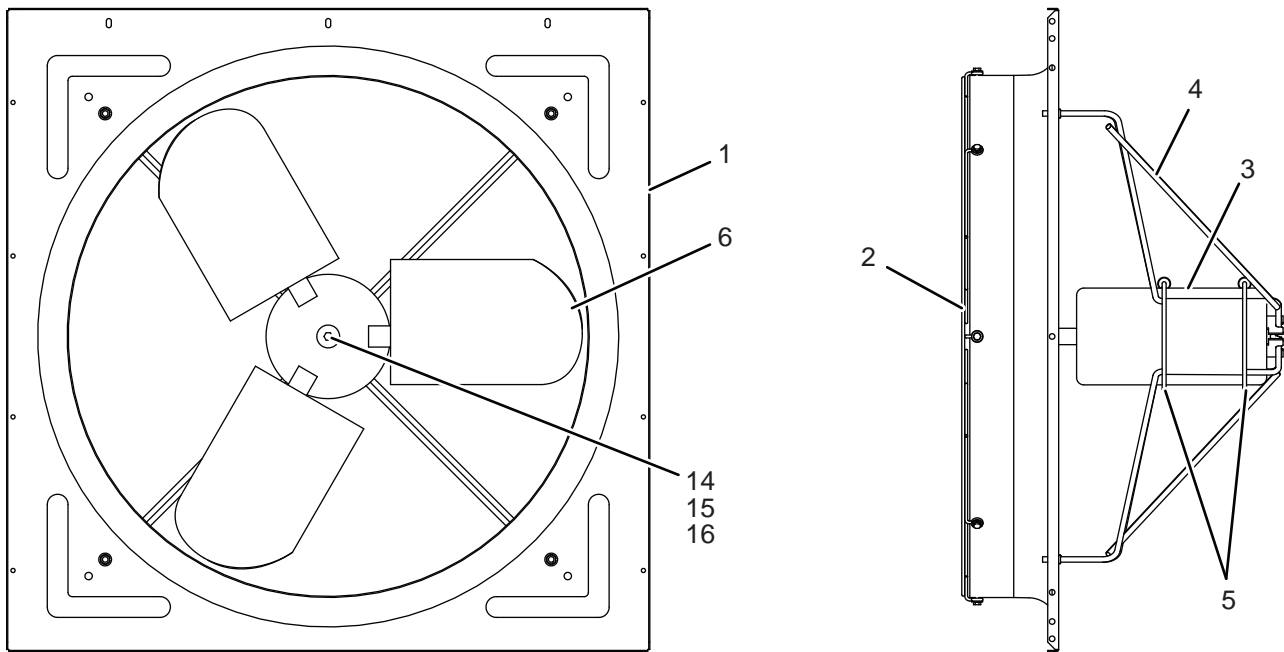
LD16780

FIGURE 24 - RELIEF SAFETY DEVICES

FAN DECK ASSEMBLY AND FAN WIRING SET

TABLE 16 - FAN COMPONENTS, STANDARD LOW SOUND AND ULTRA QUIET FANS

ITEM	VOLTAGE (PIN 11 & 12)	DESCRIPTION	PART NUMBER		QUANTITY
			STD LOW SOUND	ULTRA QUIET FAN	
1	All	Orifice, Flanged	026-45682-000	026-45682-000	1
2	All	Guard, Fan	026-46008-000	026-46008-000	1
3	17	Motor, Fan TEAO, 2 HP 6 Pole	024-36873-103	-----	1
	28	Motor, Fan TEAO, 2 HP 6 Pole	024-36873-106	-----	
	17 and 28	Motor, Fan TEAO, 8 Pole	-----	024-34980-102	
	40	Motor, Fan TEAO, 2 HP 6 Pole	024-36873-104	-----	
		Motor, Fan TEAO, 8 Pole	-----	024-34980-105	
	46	Motor, Fan TEAO, 2 HP 6 Pole	024-36873-107	-----	
		Motor, Fan TEAO, 8 Pole	-----	024-34980-101	
	58	Motor, Fan TEAO, 2 HP 6 Pole	024-36873-102	-----	
Motor, Fan TEAO, 8 Pole		-----	024-34980-104		
4	All	Support, Fan Motor	026-46735-000	-----	1
5	All	Support, Ring	026-36367-000	-----	1
6	All	Fan Impeller, 900mm	026-41594-000	-----	1
			-----	026-41942-000	
14	All	Screw, Cap Hex Hd, M8 X 1.25-6g	021-18494-000	-----	1
15	All	Spacer, Fan Motor	075-29007-000	-----	1
16	17	Spacer, Fan Motor	075-40484-000	-----	1



View shown with fan guard removed for clarity

LD15897

FIGURE 25 - FAN COMPONENTS, STANDARD LOW SOUND AND ULTRA QUIET FANS

TABLE 17 - FAN COMPONENTS, HIGH AIR FLOW FANS

ITEM	VOLTAGE (PIN 11 & 12)	DESCRIPTION	PART NUMBER	QUANTITY
1	40, 46	Orifice	026-45682-000	1
2	40, 46	Guard	026-46008-000	1
3	40	Motor Fan, TEAO, 3 Hp	024-36874-002	1
	46	Motor, Fan, TEAO, 3 Hp 6 Pole	024-36874-003	
4	40, 46	Bracket, Fan Support	075-67014-000	4
6	40, 46	Fan Impeller, 900mm	026-45538-000	1
10	40, 46	Screw, Cap Hex, 1/4" X 3/4" Lg	021-31337-000	8
11	40, 46	Washer, Plain, 5/16" ID X 3/4" OD	021-19314-000	8
14	40	Spacer, Fan Motor	075-40485-000	1
15	40, 46	Spacer, Fan Motor	075-67017-000	1
16	40, 46	Screw, Cap Hex Hd, M10 1.5-6h	021-17791-000	1

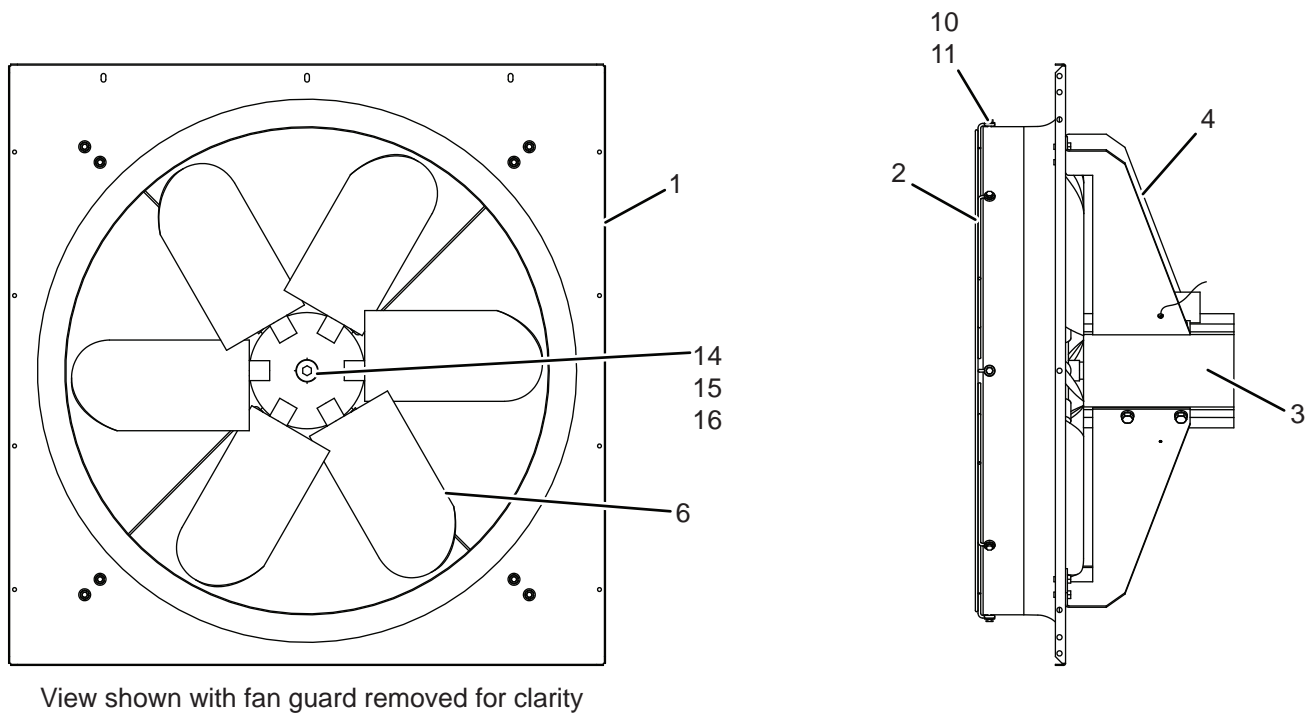


FIGURE 26 - FAN COMPONENTS, HIGH AIR FLOW FANS

LD15899

SYSTEM WIRING

TABLE 18 - SENSOR WIRING PIN 32 = X (YLAA0058)

FUNCTION	BOARD LOCATION	CABLE ITEM NUMBER	CABLE NUMBER	WIRE COLOR	PLUG PIN NUMBER	HARNESS ASSEMBLY PART NUMBER
System #1 Suction Pressure	Micro P7	100	4	Red	5	575-72382-617**
				White	10	
				Black	9	
				Drain	1	
The Discharge Pressure & Low Ambient Options Share These Pins	Micro P7			Red	6	
				White	11	
				Black	7	
				Drain	2	
Leaving Water Temperature	Micro P6	105	1	Black	7	575-72382-624**
				Red	4	
				Drain	1	
Enter Water Temperature	Micro P6	106	3	Black	8	575-72382-627**
				Red	5	
				Drain	2	
Outside Air Temperature	Micro P6	104	2	Black	9	575-72382-623**
				Red	6	
				Drain	3	
System #2 Suction Pressure	Micro P9	101	5	Red	5	575-72382-618**
				White	10	
				Black	9	
				Drain	1	
The Discharge Pressure & Low Ambient Options Share These Pins	Micro P9			Red	6	
				White	11	
				Black	7	
				Drain	2	

NOTE: **Refer to *Table 51 on page 67* for further breakdown of Wiring Harness.

TABLE 19 - SENSOR WIRING PIN 32 = X (YLAA0065)

FUNCTION	BOARD LOCATION	CABLE ITEM NUMBER	CABLE NUMBER	WIRE COLOR	PLUG PIN NUMBER	HARNESS ASSEMBLY PART NUMBER	
System #1 Suction Pressure	Micro P7	100	4	Red	5	575-72382-619**	
				White	10		
				Black	9		
				Drain	1		
The Discharge Pressure & Low Ambient Options Share These Pins					Red	6	
					White	11	
					Black	7	
					Drain	2	
Leaving Water Temperature	Micro P6	105	1	Black	7	575-72382-625**	
				Red	4		
				Drain	1		
Enter Water Temperature		106	3		Black	8	575-72382-628**
					Red	5	
					Drain	2	
Outside Air Temperature		104	2		Black	9	575-72382-623**
					Red	6	
					Drain	3	
System #2 Suction Pressure		Micro P9	101	5	Red	5	575-72382-618**
	White				10		
	Black				9		
	Drain				1		
The Discharge Pressure & Low Ambient Options Share These Pins					Red	6	
					White	11	
					Black	7	
					Drain	2	

NOTE: **Refer to Table 51 on page 67 for further breakdown of Wiring Harness.

TABLE 20 - 1-BDP DISCHARGE PRESSURE WIRING DETAIL PIN 32 = X (YLAA0058, YLAA0065, YLAA0081)

FUNCTION	PIGTAIL PLUG LOCATION	CABLE ITEM NUMBER	CABLE NUMBER	PLUG PIN NO.	WIRE COLOR	HARNESS ASSEMBLY PART NUMBER
System #1 Discharge Pressure	P16	102	6	1	Red	575-72382-621**
				2	White	
				3	Black	
				4	Drain	

NOTE: **Refer to Table 51 on page 67 for further breakdown of Wiring Harness.

TABLE 21 - 2-BDP DISCHARGE PRESSURE WIRING DETAIL PIN 32 = X (YLAA0058, YLAA0065, YLAA0081)

FUNCTION	PIGTAIL PLUG LOCATION	CABLE ITEM NUMBER	CABLE NUMBER	PLUG PIN NO.	WIRE COLOR	HARNESS ASSEMBLY PART NUMBER
System #2 Discharge Pressure	P18	103	7	1	Red	575-72382-622**
				2	White	
				3	Black	
				4	Drain	

NOTE: **Refer to *Table 51 on page 67* for further breakdown of Wiring Harness.

TABLE 22 - SENSOR WIRING PIN 32 = X (YLAA0081)

FUNCTION	BOARD LOCATION	CABLE ITEM NUMBER	CABLE NUMBER	WIRE COLOR	PLUG PIN NUMBER	HARNESS ASSEMBLY PART NUMBER
System #1 Suction Pressure	Micro P7	100	4	Red	5	575-72382-617**
				White	10	
				Black	9	
				Drain	1	
The Discharge Pressure & Low Ambient Options Share These Pins				Red	6	
				White	11	
				Black	7	
				Drain	2	
Leaving Water Temperature		105	1	Black	7	575-72382-626**
				Red	4	
				Drain	1	
Enter Water Temperature	Micro P6	106	3	Black	8	575-72382-629**
				Red	5	
				Drain	2	
Outside Air Temperature		104	2	Black	9	575-72382-623**
				Red	6	
				Drain	3	
System #2 Suction Pressure	Micro P9	101	5	Red	5	575-72382-620**
				White	10	
				Black	9	
				Drain	1	
The Discharge Pressure & Low Ambient Options Share These Pins				Red	6	
				White	11	
				Black	7	
				Drain	2	

NOTE: **Refer to *Table 51 on page 67* for further breakdown of Wiring Harness.

TABLE 23 - SENSOR WIRING PIN 32 = X (YLAA0070, YLAA0080, YLAA0089, YLAA0100, YLAA0101)

FUNCTION	BOARD LOCATION	CABLE ITEM NUMBER	CABLE NUMBER	WIRE COLOR	PLUG PIN NUMBER	HARNESS ASSEMBLY PART NUMBER
System #1 Suction Pressure	Micro P7	100	4	Red	5	575-72382-345**
				White	10	
				Black	9	
				Drain	1	
The Discharge Pressure & Low Ambient Options Share These Pins				Red	6	
				White	11	
				Black	7	
				Drain	2	
Leaving Water Temperature		105	1	Black	7	575-72382-347**
				Red	4	
				Drain	1	
Enter Water Temperature	Micro P6	106	3	Black	8	575-72382-348**
				Red	5	
				Drain	2	
Outside Air Temperature		104	2	Black	9	575-72382-311**
				Red	6	
				Drain	3	
System #2 Suction Pressure	Micro P9	101	5	Red	5	575-72382-346**
				White	10	
				Black	9	
				Drain	1	
The Discharge Pressure & Low Ambient Options Share These Pins				Red	6	
				White	11	
				Black	7	
				Drain	2	

NOTE: **Refer to Table 51 on page 67 for further breakdown of Wiring Harness.

TABLE 24 - 1-BDP DISCHARGE PRESSURE WIRING DETAIL PIN 32 = X (YLAA0070, YLAA0080, YLAA0089, YLAA0100, YLAA0101)

FUNCTION	PIGTAIL PLUG LOCATION	CABLE ITEM NUMBER	CABLE NUMBER	PLUG PIN NO.	WIRE COLOR	HARNESS ASSEMBLY PART NUMBER
System #1 Discharge Pressure	P16	102	6	1	Red	575-72382-309**
				2	White	
				3	Black	
				4	Drain	

NOTE: **Refer to Table 51 on page 67 for further breakdown of Wiring Harness.

TABLE 25 - 2-BDP DISCHARGE PRESSURE WIRING DETAIL PIN 32 = X
 (YLAA0070, YLAA0080, YLAA0089, YLAA0100, YLAA0101)

FUNCTION	PIGTAIL PLUG LOCATION	CABLE ITEM NUMBER	CABLE NUMBER	PLUG PIN NO.	WIRE COLOR	HARNESS ASSEMBLY PART NUMBER
System #2 Discharge Pressure	P18	103	7	1	Red	575-72382-310**
				2	White	
				3	Black	
				4	Drain	

NOTE: **Refer to Table 51 on page 67 for further breakdown of Wiring Harness.

TABLE 26 - SENSOR WIRING PIN 32 = X (YLAA0092, YLAA0115, YLAA0120)

FUNCTION	BOARD LOCATION	CABLE ITEM NUMBER	CABLE NUMBER	WIRE COLOR	PLUG PIN NUMBER	HARNESS ASSEMBLY PART NUMBER
System #1 Suction Pressure	Micro P7	100	4	Red	5	575-72382-341**
				White	10	
				Black	9	
				Drain	1	
The Discharge Pressure & Low Ambient Options Share These Pins				Red	6	
				White	11	
				Black	7	
				Drain	2	
Leaving Water Temperature		105	1	Black	7	575-72382-343**
				Red	4	
				Drain	1	
Enter Water Temperature	Micro P6	106	3	Black	8	575-72382-344**
				Red	5	
				Drain	2	
Outside Air Temperature		104	2	Black	9	575-72382-304**
				Red	6	
				Drain	3	
System #2 Suction Pressure	Micro P9	101	5	Red	5	575-72382-342**
				White	10	
				Black	9	
				Drain	1	
The Discharge Pressure & Low Ambient Options Share These Pins				Red	6	
				White	11	
				Black	7	
				Drain	2	

NOTE: **Refer to Table 51 on page 67 for further breakdown of Wiring Harness.

TABLE 27 - SENSOR WIRING PIN 32 = X (YLAA0125 - YLAA0175)

FUNCTION	BOARD LOCATION	CABLE ITEM NUMBER	CABLE NUMBER	WIRE COLOR	PLUG PIN NUMBER	HARNESS ASSEMBLY PART NUMBER
System #1 Suction Pressure	Micro P7	100	4	Red	5	575-72382-341**
				White	10	
				Black	9	
				Drain	1	
The Discharge Pressure & Low Ambient Options Share These Pins				Red	6	
				White	11	
				Black	7	
				Drain	2	
Leaving Water Temperature		105	1	Black	7	575-72382-350**
				Red	4	
				Drain	1	
Enter Water Temperature	Micro P6	106	3	Black	8	575-72382-351**
				Red	5	
				Drain	2	
Outside Air Temperature		104	2	Black	9	575-72382-304**
				Red	6	
				Drain	3	
System #2 Suction Pressure	Micro P9	101	5	Red	5	575-72382-342**
				White	10	
				Black	9	
				Drain	1	
The Discharge Pressure & Low Ambient Options Share These Pins				Red	6	
				White	11	
				Black	7	
				Drain	2	

NOTE: **Refer to Table 51 on page 67 for further breakdown of Wiring Harness.

TABLE 28 - 1-BDP DISCHARGE PRESSURE WIRING DETAIL PIN 32 = X (YLAA0092, YLAA0115 - YLAA0175)

FUNCTION	PIGTAIL PLUG LOCATION	CABLE ITEM NUMBER	CABLE NUMBER	PLUG PIN NO.	WIRE COLOR	HARNESS ASSEMBLY PART NUMBER
System #1 Discharge Pressure	P16	102	6	1	Red	575-72382-302**
				2	White	
				3	Black	
				4	Drain	

NOTE: **Refer to Table 51 on page 67 for further breakdown of Wiring Harness.

TABLE 29 - 2-BDP DISCHARGE PRESSURE WIRING DETAIL PIN 32 = X (YLAA0092, YLAA0115 - YLAA0175)

FUNCTION	PIGTAIL PLUG LOCATION	CABLE ITEM NUMBER	CABLE NUMBER	PLUG PIN NO.	WIRE COLOR	HARNESS ASSEMBLY PART NUMBER
System #2 Discharge Pressure	P18	103	7	1	Red	575-72382-303**
				2	White	
				3	Black	
				4	Drain	

NOTE: **Refer to Table 51 on page 67 for further breakdown of Wiring Harness.

TABLE 30 - SENSOR WIRING PIN 32 = E (YLAA0058)

FUNCTION	BOARD LOCATION	CABLE ITEM NUMBER	CABLE NUMBER	WIRE COLOR	PLUG PIN NUMBER	HARNESS ASSEMBLY PART NUMBER
The Suction Pressure and EEV controller Share These Pins	Micro P7			Red	5	
				White	10	
				Black	9	
				Drain	1	
System #1 Suction Pressure	Micro P7	102	6	Red	6	575-72382-621**
				White	11	
				Black	7	
				Drain	2	
Leaving Water Temperature	Micro P6	105	1	Black	7	575-72382-624**
				Red	4	
				Drain	1	
Enter Water Temperature	Micro P6	106	3	Black	8	575-72382-627**
				Red	5	
				Drain	2	
Outside Air Temperature	Micro P6	104	2	Black	9	575-72382-623**
				Red	6	
				Drain	3	
The Suction Pressure and EEV controller Share These Pins	Micro P9		5	Red	5	
				White	10	
				Black	9	
				Drain	1	
System #2 Suction Pressure	Micro P9	103	7	Red	6	575-72382-622**
				White	11	
				Black	7	
				Drain	2	

NOTE: **Refer to Table 51 on page 67 for further breakdown of Wiring Harness.

TABLE 31 - SENSOR WIRING PIN 32 = E (YLAA0065)

FUNCTION	BOARD LOCATION	CABLE ITEM NUMBER	CABLE NUMBER	WIRE COLOR	PLUG PIN NUMBER	HARNESS ASSEMBLY PART NUMBER
The Suction Pressure and EEV controller Share These Pins	Micro P7			Red	5	
				White	10	
				Black	9	
				Drain	1	
System #1 Suction Pressure		102	6	Red	6	575-72382-619**
				White	11	
				Black	7	
				Drain	2	
Leaving Water Temperature		105	1	Black	7	575-72382-625**
				Red	4	
				Drain	1	
Enter Water Temperature	Micro P6	106	3	Black	8	575-72382-628**
				Red	5	
				Drain	2	
Outside Air Temperature		104	2	Black	9	575-72382-623**
				Red	6	
				Drain	3	
The Suction Pressure and EEV controller Share These Pins	Micro P9		5	Red	5	
				White	10	
				Black	9	
				Drain	1	
System #2 Suction Pressure		103	7	Red	6	575-72382-622**
				White	11	
				Black	7	
				Drain	2	

NOTE: **Refer to Table 51 on page 67 for further breakdown of Wiring Harness.

TABLE 32 - 1-BDP SUCTION PRESSURE WIRING DETAIL PIN 32 = E (YLAA0058, YLAA0081)

FUNCTION	PIGTAIL PLUG LOCATION	CABLE ITEM NUMBER	CABLE NUMBER	PLUG PIN NO.	WIRE COLOR	HARNESS ASSEMBLY PART NUMBER
System #1 Suction Pressure	P20	100	4	1	Red	575-72382-617**
				2	White	
				3	Black	
				4	Drain	

NOTE: **Refer to Table 51 on page 67 for further breakdown of Wiring Harness.

TABLE 33 - 1-BDP SUCTION PRESSURE WIRING DETAIL PIN 32 = E (YLAA0065)

FUNCTION	PIGTAIL PLUG LOCATION	CABLE ITEM NUMBER	CABLE NUMBER	PLUG PIN NO.	WIRE COLOR	HARNESS ASSEMBLY PART NUMBER
System #1 Suction Pressure	P20	100	4	1	Red	575-72382-619**
				2	White	
				3	Black	
				4	Drain	

NOTE: **Refer to *Table 51 on page 67* for further breakdown of Wiring Harness.

TABLE 34 - 2-BDP SUCTION PRESSURE WIRING DETAIL PIN 32 = E (YLAA0058, YLAA0065)

FUNCTION	PIGTAIL PLUG LOCATION	CABLE ITEM NUMBER	CABLE NUMBER	PLUG PIN NO.	WIRE COLOR	HARNESS ASSEMBLY PART NUMBER
System #2 Suction Pressure	P21	101	5	1	Red	575-72382-618**
				2	White	
				3	Black	
				4	Drain	

NOTE: **Refer to *Table 51 on page 67* for further breakdown of Wiring Harness.

TABLE 35 - SENSOR WIRING PIN 32 = E (YLAA0070, YLAA0080, YLAA0089, YLAA0100, YLAA0101)

FUNCTION	BOARD LOCATION	CABLE ITEM NUMBER	CABLE NUMBER	WIRE COLOR	PLUG PIN NUMBER	HARNESS ASSEMBLY PART NUMBER
The Suction Pressure and EEV controller Share These Pins	Micro P7			Red	5	
				White	10	
				Black	9	
				Drain	1	
System #1 Suction Pressure	Micro P7	102	6	Red	6	575-72382-309**
				White	11	
				Black	7	
				Drain	2	
Leaving Water Temperature	Micro P6	105	1	Black	7	575-72382-347**
				Red	4	
				Drain	1	
Enter Water Temperature	Micro P6	106	3	Black	8	575-72382-348**
				Red	5	
				Drain	2	
Outside Air Temperature	Micro P6	104	2	Black	9	575-72382-311**
				Red	6	
				Drain	3	
The Suction Pressure and EEV controller Share These Pins	Micro P9		5	Red	5	
				White	10	
				Black	9	
				Drain	1	
System #2 Suction Pressure	Micro P9	103	7	Red	6	575-72382-310**
				White	11	
				Black	7	
				Drain	2	

NOTE: **Refer to Table 51 on page 67 or further breakdown of Wiring Harness.

TABLE 36 - 1-BDP SUCTION PRESSURE WIRING DETAIL PIN 32 = E (YLAA0070, YLAA0080, YLAA0089, YLAA0100, YLAA0101)

FUNCTION	PIGTAIL PLUG LOCATION	CABLE ITEM NUMBER	CABLE NUMBER	PLUG PIN NO.	WIRE COLOR	HARNESS ASSEMBLY PART NUMBER
System #1 Suction Pressure	P20	100	4	1	Red	575-72382-345**
				2	White	
				3	Black	
				4	Drain	

NOTE: **Refer to Table 51 on page 67 for further breakdown of Wiring Harness.

TABLE 37 - 2-BDP SUCTION PRESSURE WIRING DETAIL PIN 32 = E
 (YLAA0070, YLAA0080, YLAA0089, YLAA0100, YLAA0101)

FUNCTION	PIGTAIL PLUG LOCATION	CABLE ITEM NUMBER	CABLE NUMBER	PLUG PIN NO.	WIRE COLOR	HARNESS ASSEMBLY PART NUMBER
System #2 Suction Pressure	P21	101	5	1	Red	575-72382-346**
				2	White	
				3	Black	
				4	Drain	

NOTE: **Refer to *Table 51 on page 67* for further breakdown of Wiring Harness.

TABLE 38 - SENSOR WIRING PIN 32 = E (YLAA0081)

FUNCTION	BOARD LOCATION	CABLE ITEM NUMBER	CABLE NUMBER	WIRE COLOR	PLUG PIN NUMBER	HARNESS ASSEMBLY PART NUMBER
The Suction Pressure and EEV controller Share These Pins	Micro P7			Red	5	
				White	10	
				Black	9	
				Drain	1	
System #1 Suction Pressure		102	6	Red	6	575-72382-621**
				White	11	
				Black	7	
				Drain	2	
Leaving Water Temperature		105	1	Black	7	575-72382-626**
				Red	4	
				Drain	1	
Enter Water Temperature	Micro P6	106	3	Black	8	575-72382-629**
				Red	5	
				Drain	2	
Outside Air Temperature		104	2	Black	9	575-72382-623**
				Red	6	
				Drain	3	
The Suction Pressure and EEV controller Share These Pins	Micro P9		5	Red	5	
				White	10	
				Black	9	
				Drain	1	
System #2 Suction Pressure		103	7	Red	6	575-72382-622**
				White	11	
				Black	7	
				Drain	2	

NOTE: **Refer to *Table 51 on page 67* for further breakdown of Wiring Harness.

TABLE 39 - 2-BDP SUCTION PRESSURE WIRING DETAIL PIN 32 = E (YLAA0081)

FUNCTION	PIGTAIL PLUG LOCATION	CABLE ITEM NUMBER	CABLE NUMBER	PLUG PIN NO.	WIRE COLOR	HARNESS ASSEMBLY PART NUMBER
System #2 Suction Pressure	P21	101	5	1	Red	575-72382-620**
				2	White	
				3	Black	
				4	Drain	

NOTE: **Refer to *Table 51 on page 67* for further breakdown of Wiring Harness.

TABLE 40 - SENSOR WIRING PIN 32 = E (YLAA0092 - YLAA0125)

FUNCTION	BOARD LOCATION	CABLE ITEM NUMBER	CABLE NUMBER	WIRE COLOR	PLUG PIN NUMBER	HARNESS ASSEMBLY PART NUMBER
The Suction Pressure and EEV controller Share These Pins	Micro P7			Red	5	
				White	10	
				Black	9	
				Drain	1	
System #1 Suction Pressure	Micro P7	102	6	Red	6	575-72382-302**
				White	11	
				Black	7	
				Drain	2	
Leaving Water Temperature	Micro P6	105	1	Black	7	575-72382-343**
				Red	4	
				Drain	1	
Enter Water Temperature	Micro P6	106	3	Black	8	575-72382-344**
				Red	5	
				Drain	2	
Outside Air Temperature	Micro P6	104	2	Black	9	575-72382-304**
				Red	6	
				Drain	3	
The Suction Pressure and EEV controller Share These Pins	Micro P9		5	Red	5	
				White	10	
				Black	9	
				Drain	1	
System #2 Suction Pressure	Micro P9	103	7	Red	6	575-72382-303**
				White	11	
				Black	7	
				Drain	2	

NOTE: **Refer to *Table 51 on page 67* for further breakdown of Wiring Harness.

TABLE 41 - SENSOR WIRING PIN 32 = E (YLAA0136 - YLAA0175)

FUNCTION	BOARD LOCATION	CABLE ITEM NUMBER	CABLE NUMBER	WIRE COLOR	PLUG PIN NUMBER	HARNESS ASSEMBLY PART NUMBER
The Suction Pressure and EEV controller Share These Pins	Micro P7			Red	5	
				White	10	
				Black	9	
				Drain	1	
System #1 Suction Pressure		102	6	Red	6	575-72382-302**
				White	11	
				Black	7	
				Drain	2	
Leaving Water Temperature		105	1	Black	7	575-72382-350**
				Red	4	
				Drain	1	
Enter Water Temperature	Micro P6	106	3	Black	8	575-72382-351**
				Red	5	
				Drain	2	
Outside Air Temperature		104	2	Black	9	575-72382-304**
				Red	6	
				Drain	3	
The Suction Pressure and EEV controller Share These Pins	Micro P9		5	Red	5	
				White	10	
				Black	9	
				Drain	1	
System #2 Suction Pressure		103	7	Red	6	575-72382-303**
				White	11	
				Black	7	
				Drain	2	

NOTE: **Refer to Table 51 on page 67 for further breakdown of Wiring Harness.

TABLE 42 - 1-BDP SUCTION PRESSURE WIRING DETAIL PIN 32 = E (YLAA0092 - YLAA0175)

FUNCTION	PIGTAIL PLUG LOCATION	CABLE ITEM NUMBER	CABLE NUMBER	PLUG PIN NO.	WIRE COLOR	HARNESS ASSEMBLY PART NUMBER
System #1 Suction Pressure	P20	100	4	1	Red	575-72382-341**
				2	White	
				3	Black	
				4	Drain	

NOTE: **Refer to Table 51 on page 67 for further breakdown of Wiring Harness.

TABLE 43 - 2-BDP SUCTION PRESSURE WIRING DETAIL PIN 32 = E (YLAA0092 - YLAA0175)

FUNCTION	PIGTAIL PLUG LOCATION	CABLE ITEM NUMBER	CABLE NUMBER	PLUG PIN NO.	WIRE COLOR	HARNESS ASSEMBLY PART NUMBER
System #2 Suction Pressure	P21	101	5	1	Red	575-72382-342**
				2	White	
				3	Black	
				4	Drain	

NOTE: **Refer to Table 51 on page 67 for further breakdown of Wiring Harness.

TABLE 44 - SENSOR WIRING PIN 32 = E (YLAA0200, YLAA0230)

FUNCTION	BOARD LOCATION	CABLE ITEM NUMBER	CABLE NUMBER	WIRE COLOR	PLUG PIN NUMBER	HARNESS ASSEMBLY PART NUMBER
System #1 Suction Pressure	Micro P7	100	4	Red	5	575-72382-874**
				White	10	
				Black	9	
				Drain	1	
The Discharge Pressure and Low Ambient Options Share these Pins	Micro P7			Red	6	
				White	11	
				Black	7	
				Drain	2	
Leaving Water Temperature	Micro P6	105	1	Black	7	575-72382-350**
				Red	4	
				Drain	1	
Enter Water Temperature	Micro P6	106	3	Black	8	575-72382-351**
				Red	5	
				Drain	2	
Outside Air Temperature	Micro P6	104	2	Black	9	575-72382-304**
				Red	6	
				Drain	3	
System #2 Suction Pressure	Micro P9	101	5	Red	5	575-72382-365**
				White	10	
				Black	9	
				Drain	1	
The Discharge Pressure and Low Ambient Options Share these Pins	Micro P9			Red	6	
				White	11	
				Black	7	
				Drain	2	

NOTE: **Refer to Table 51 on page 67 for further breakdown of Wiring Harness.

TABLE 45 - 1-BDP SUCTION PRESSURE WIRING DETAIL PIN 32 = E (YLAA0200, YLAA0230)

FUNCTION	PIGTAIL PLUG LOCATION	CABLE ITEM NUMBER	CABLE NUMBER	PLUG PIN NO.	WIRE COLOR	HARNESS ASSEMBLY PART NUMBER
System #1 Discharge Pressure	P16	102	6	1	Red	575-72382-354**
				2	White	
				3	Black	
				4	Drain	

NOTE: **Refer to *Table 51 on page 67* for further breakdown of Wiring Harness.

TABLE 46 - 2-BDP SUCTION PRESSURE WIRING DETAIL PIN 32 = E (YLAA0200, YLAA0230)

FUNCTION	PIGTAIL PLUG LOCATION	CABLE ITEM NUMBER	CABLE NUMBER	PLUG PIN NO.	WIRE COLOR	HARNESS ASSEMBLY PART NUMBER
System #2 Discharge Pressure	P18	103	7	1	Red	575-72382-355**
				2	White	
				3	Black	
				4	Drain	

NOTE: **Refer to *Table 51 on page 67* for further breakdown of Wiring Harness.

TABLE 47 - SYSTEM WIRING STANDARD VALVES (PIN 32 = X)

ITEM	DESCRIPTION	MODEL	PART NUMBER	SAP	FIGURE
3	High Pressure Cut-Out	YLAA0058	575-72382-608	1081129	27
		YLAA0065, YLAA0081	575-72382-610	1081131	
		YLAA0070, YLAA0080, YLAA0089, YLAA0100, YLAA0101	575-72382-209	808289	
		YLAA0092, YLAA0115 - YLAA0175	575-72382-202	808282	
4	High Pressure Cut-Out	YLAA0058	575-72382-609	1081130	27
		YLAA0065	575-72382-611	1081132	
		YLAA0070, YLAA0080, YLAA0089, YLAA0100, YLAA0101, YLAA0136 - YLAA0175	575-72382-210	808290	
		YLAA0081	575-72382-612	1081133	
		YLAA0092, YLAA0115 - YLAA0125	575-72382-203	808283	
7	Sensor Temp 3000 Ohms	YLAA0058 - YLAA00175	025-47671-000	5167564	27, 29
9	Assy, Outside Air Temp. Sensor	YLAA0058 - YLAA00175	025-47688-000	5167777	27
	Contact Tab Mark II 070 Series		025-28949-000	738245	
	Sensor Temp Ambient Yca		025-47688-000	5167777	
	Connector Cap Hsg, 2 Position,		025-28948-000	427370	
	Collar Rubber, Gray, 070		025-28957-000	117435	
16	Sensor Flow 1/4" Npt Conn	YLAA0125 - YLAA0175	025-43553-000	618247	29
17	Flow Switch Cable	YLAA0125 - YLAA0175	024-38119-000	852692	29
20	Transducer Psis 0-400	YLAA0125 - YLAA0175	025-41756-002	392054	27
21	Transducer Psis 0-650	YLAA0125 - YLAA0175	025-41756-003	392055	27
45	Heating Cable	YLAA0125 - YLAA0175	025-45938-001	944456	28

TABLE 48 - SYSTEM WIRING STANDARD VALVES PANEL PARTS (PIN 32 = X)

ITEM	DESCRIPTION	MODEL	PART NUMBER	SAP	FIGURE
1	Wiring Harness (with Din Plug)	YLAA0058	575-72382-613	1081134	27
		YLAA0065, YLAA0081	575-72382-615	1081136	
		YLAA0070, YLAA0080, YLAA0089, YLAA0100, YLAA0101, YLAA0136 - YLAA0175	575-72382-293	813877	
		YLAA0092, YLAA0115, YLAA0120, YLAA0125	575-72382-291	855337	
2	Wiring Harness (with Din Plug)	YLAA0058, YLAA0081	575-72382-614	1081135	27
		YLAA0065	575-72382-616	1081137	
		YLAA0070, YLAA0080, YLAA0089, YLAA0100, YLAA0101, YLAA0136 - YLAA0175	575-72382-294	813878	
		YLAA0092, YLAA0115, YLAA0120, YLAA0125	575-72382-292	855338	
10	Connr, Conduit Flex Angle	YLAA0058 - YLAA0175	025-31318-000	394338	27
18	Wiring Harness Sys #1	YLAA0058 - YLAA0175	575-72382-314	808353	*

TABLE 48 - SYSTEM WIRING STANDARD VALVES PANEL PARTS (PIN 32 = X) (CONT'D)

ITEM	DESCRIPTION	MODEL	PART NUMBER	SAP	FIGURE
19	Hsg Connr Plug Mini 9 Ckt Nat	YLAA0058 - YLAA0175	025-28383-000	737917	*
35	Wiring Harness Sys #2	YLAA0058 - YLAA0175	575-72382-315	808354	*
36	Hsg Connr Plug Mini 4 Ckt Nat	YLAA0058 - YLAA0175	025-28959-000	738246	*
42	Harness Heat. Exch. Htrs.	YLAA0058 - YLAA0175	575-72382-606	898581	27
100	Wiring Harness 3 Conductor Sensor	YLAA0058, YLAA0081	575-72382-617	1081138	27
		YLAA0065	575-72382-619	1081140	
		YLAA0070, YLAA0080, YLAA0089, YLAA0100, YLAA0101	575-72382-345	813879	
		YLAA0092, YLAA0115 - YLAA0175	575-72382-341	855339	
101	Wiring Harness 3 Conductor Sensor	YLAA0058, YLAA0065	575-72382-618	1081139	27
		YLAA0070, YLAA0080, YLAA0089, YLAA0100, YLAA0101	575-72382-346	813880	
		YLAA0081	575-72382-620	1081141	
		YLAA0092, YLAA0115 - YLAA0175	575-72382-342	855340	
102	Wiring Harness 3 Conductor Sensor	YLAA0058, YLAA0065, YLAA0081	575-72382-621	1081142	27
		YLAA0070, YLAA0080, YLAA0089, YLAA0100, YLAA0101	575-72382-309	808348	
		YLAA0092, YLAA0115 - YLAA0175	575-72382-302	808341	
103	Wiring Harness 3 Conductor Sensor	YLAA0058, YLAA0065, YLAA0081	575-72382-622	1081143	27
		YLAA0070, YLAA0080, YLAA0089, YLAA0100, YLAA0101	575-72382-310	808349	
		YLAA0092, YLAA0115 - YLAA0175	575-72382-303	808342	
104	Wiring Harness 2 Conductor Sensor	YLAA0058, YLAA0065, YLAA0081	575-72382-623	1081144	27
		YLAA0070, YLAA0080, YLAA0089, YLAA0100, YLAA0101	575-72382-311	808350	
		YLAA0092, YLAA0115 - YLAA0175	575-72382-304	808343	
105	Wiring Harness 2 Conductor Sensor	YLAA0058	575-72382-624	1081145	27, 28
		YLAA0065	575-72382-625	1081146	
		YLAA0070, YLAA0080, YLAA0089, YLAA0100, YLAA0101	575-72382-347	816571	
		YLAA0081	575-72382-626	1081147	
		YLAA0092, YLAA0115, YLAA0120	575-72382-343	855341	
		YLAA0125 - YLAA0175	575-72382-350	944956	
106	Wiring Harness 2 Conductor Sensor	YLAA0058	575-72382-627	1081148	27, 29
		YLAA0065	575-72382-628	1081149	
		YLAA0070, YLAA0080, YLAA0089, YLAA0100, YLAA0101	575-72382-348	816572	
		YLAA0081	575-72382-629	1081150	
		YLAA0092, YLAA0115, YLAA0120	575-72382-344	855342	
		YLAA0125 - YLAA0175	575-72382-351	944957	

NOTE: Items with an * are NOT represented.

TABLE 49 - SYSTEM WIRING ELECTRONIC EXPANSION VALVES (PIN 32 = E) (PIN 20 = H, S, A, B)

ITEM	DESCRIPTION	MODEL	PARTNUMBER	SAP	FIGURE
3	High Pressure Cut-Out	YLAA0058	575-72382-608	1081129	27
		YLAA0065, YLAA0081	575-72382-610	1081131	
		YLAA0070, YLAA0080, YLAA0089, YLAA0100, YLAA0101, YLAA0136 - YLAA0230	575-72382-209	808289	
		YLAA0092, YLAA0115, YLAA0120, YLAA0125	575-72382-202	808282	
4	High Pressure Cut-Out	YLAA0058	575-72382-609	1081130	27
		YLAA0065	575-72382-611	1081132	
		YLAA0070, YLAA0080, YLAA0089, YLAA0100, YLAA0101, YLAA0136 - YLAA0175	575-72382-210	808290	
		YLAA0081	575-72382-612	1081133	
		YLAA0092, YLAA0115, YLAA0120, YLAA0125	575-72382-203	808283	
		YLAA0200, YLAA0230	575-72382-872	5191839	
7	Sensor Temp 3000 Ohms	YLAA0058 - YLAA0230	025-47671-000	5167564	27, 29
9	Assy, Outside Air Temp. Sensor	YLAA0058 - YLAA0230	025-47688-000	5167777	27
17	Flow Switch Cable	YLAA0200, YLAA0230	024-38119-000	852692	*
18	Wiring Harness Sys #1	YLAA0058, YLAA0092, YLAA0115 - YLAA0125	575-72382-314	808353	*
20	Transducer Psis 0-400	YLAA0058 - YLAA0175	025-41756-002	392054	27
		YLAA0200, YLAA0230	025-29139-004	520036	
21	Transducer Psis 0-650	YLAA0058 - YLAA0175	025-41756-003	392055	27
		YLAA0200, YLAA0230	025-29139-007	5004844	

NOTE: Items with an * are NOT represented.

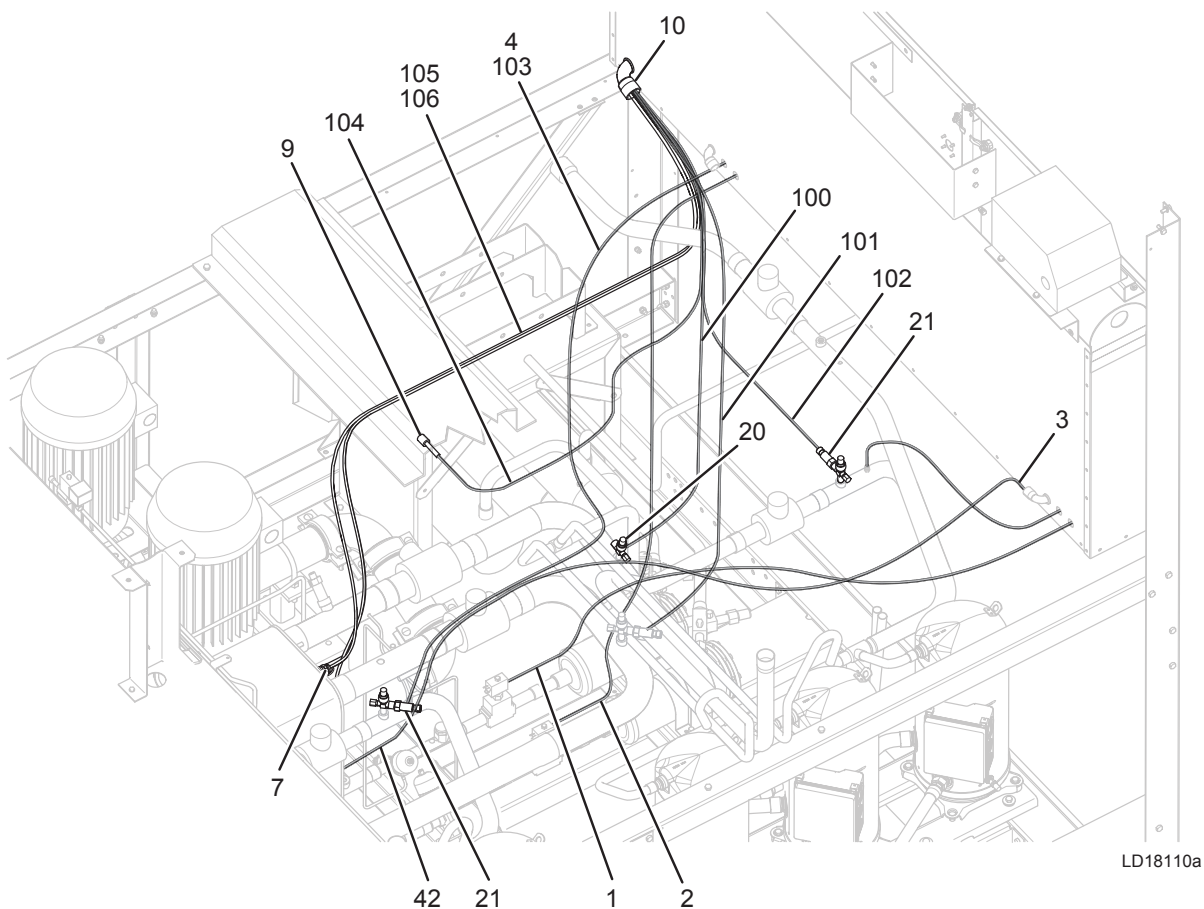
TABLE 50 - SYSTEM WIRING ELECTRONIC EXPANSION VALVES PANEL PARTS
 (PIN 32 = E) (PIN 20 = H, S, A, B)

ITEM	DESCRIPTION	MODEL	PART NUMBER	SAP	FIGURE
1	Wiring Harness (with Din Plug)	YLAA0058	575-72382-613	1081134	27
		YLAA0065, YLAA0081	575-72382-615	1081136	
		YLAA0070, YLAA0080, YLAA0089, YLAA0100, YLAA0101, YLAA0136 - YLAA0175	575-72382-293	813877	
		YLAA0092, YLAA0115, YLAA0120, YLAA0125	575-72382-291	855337	
2	Wiring Harness (with Din Plug)	YLAA0058, YLAA0081	575-72382-614	1081135	27
		YLAA0065	575-72382-616	1081137	
		YLAA0070, YLAA0080, YLAA0089, YLAA0100, YLAA0101, YLAA0136 - YLAA0175	575-72382-294	813878	
		YLAA0092, YLAA0115, YLAA0120, YLAA0125	575-72382-292	855338	
10	Connr, Conduit Flex Angle	YLAA0058 - YLAA0175	025-31318-000	394338	27
18	Sys. #1 Pigtail (P7/Suct/EEV)	YLAA0058 - YLAA0175	575-72382-332	808368	*
19	Hsg Connr Plug Mini 9 Ckt Nat	YLAA0058 - YLAA0175	025-28383-000	737917	*
35	Sys. #2 Pigtail (P9/Suct/EEV) (Pin 20 H or S)	YLAA0058 - YLAA0175	575-72382-333	808369	*
	Sys. #2 Pigtail (EEV/Low Amb.) (Pin 20 A or B)	YLAA0058 - YLAA0175	575-72382-331	808367	
36	Hsg Connr Plug Mini 4 Ckt Nat	YLAA0058 - YLAA0175	025-28959-000	738246	*
41	Surface And Duct Sensor	YLAA0058 - YLAA0175	025-42433-000	516912	28
42	Harness Heat. Exch. Htrs.	YLAA0058 - YLAA0175	575-72382-606	898581	27
53	Cable And Connector Assy.	YLAA0058 - YLAA0175	025-44664-002	899838	27
100	Wiring Harness 3 Conductor Sensor	YLAA0058, YLAA0081	575-72382-617	1081138	27
		YLAA0065	575-72382-619	1081140	
		YLAA0070, YLAA0080, YLAA0089, YLAA0100, YLAA0101	575-72382-345	813879	
		YLAA0092, YLAA0115 - YLAA0175	575-72382-341	855339	
101	Wiring Harness 3 Conductor Sensor	YLAA0058, YLAA0065	575-72382-618	1081139	27
		YLAA0070, YLAA0080, YLAA0089, YLAA0100, YLAA0101	575-72382-346	813880	
		YLAA0081	575-72382-620	1081141	
		YLAA0092, YLAA0115 - YLAA0175	575-72382-342	855340	
102	Wiring Harness 3 Conductor Sensor	YLAA0058, YLAA0065, YLAA0081	575-72382-621	1081142	27
		YLAA0070, YLAA0080, YLAA0089, YLAA0100, YLAA0101	575-72382-309	808348	
		YLAA0092, YLAA0115 - YLAA0175	575-72382-302	808341	
103	Wiring Harness 3 Conductor Sensor	YLAA0058, YLAA0065, YLAA0081	575-72382-622	1081143	27
		YLAA0070, YLAA0080, YLAA0089, YLAA0100, YLAA0101	575-72382-310	808349	
		YLAA0092, YLAA0115 - YLAA0175	575-72382-303	808342	
104	Wiring Harness 2 Conductor Sensor	YLAA0058, YLAA0065, YLAA0081	575-72382-623	1081144	27
		YLAA0070, YLAA0080, YLAA0089, YLAA0100, YLAA0101	575-72382-311	808350	
		YLAA0092, YLAA0115 - YLAA0175	575-72382-304	808343	

TABLE 50 - SYSTEM WIRING ELECTRONIC EXPANSION VALVES PANEL PARTS
 (PIN 32 = E) (PIN 20 = H, S, A, B) (CONT'D)

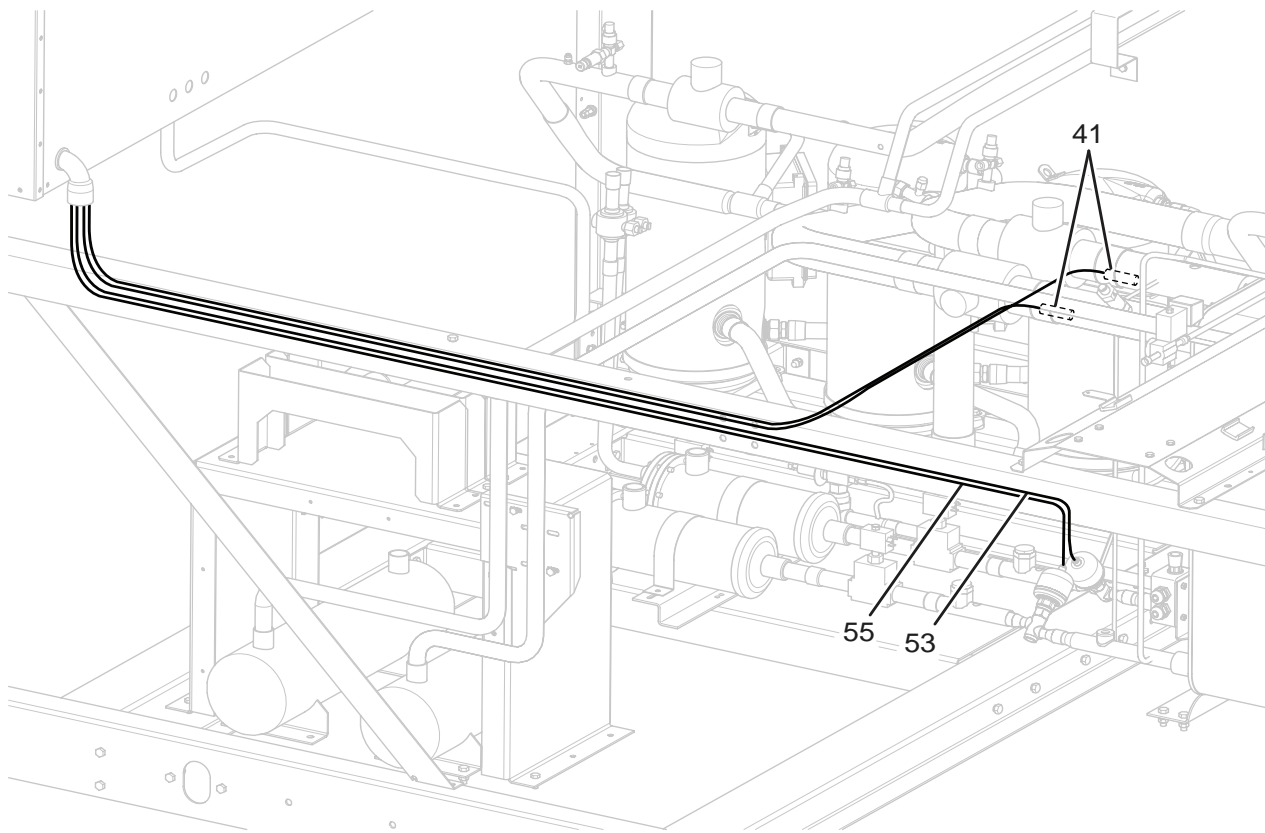
ITEM	DESCRIPTION	MODEL	PART NUMBER	SAP	FIGURE
105	Wiring Harness 2 Conductor Sensor	YLAA0058	575-72382-624	1081145	27, 29
		YLAA0065	575-72382-625	1081146	
		YLAA0070, YLAA0080, YLAA0089, YLAA0100, YLAA0101	575-72382-347	816571	
		YLAA0081	575-72382-626	1081147	
		YLAA0092, YLAA0115, YLAA0120, YLAA0125	575-72382-343	855341	
		YLAA0136 - YLAA0175	575-72382-350	944956	
106	Wiring Harness 2 Conductor Sensor	YLAA0058	575-72382-627	1081148	27, 29
		YLAA0065	575-72382-628	1081149	
		YLAA0070, YLAA0080, YLAA0089, YLAA0100, YLAA0101	575-72382-348	816572	
		YLAA0081	575-72382-629	1081150	
		YLAA0092, YLAA0115, YLAA0120, YLAA0125	575-72382-344	855342	
		YLAA0136 - YLAA0175	575-72382-351	944957	

NOTE: Items with an * are NOT represented.



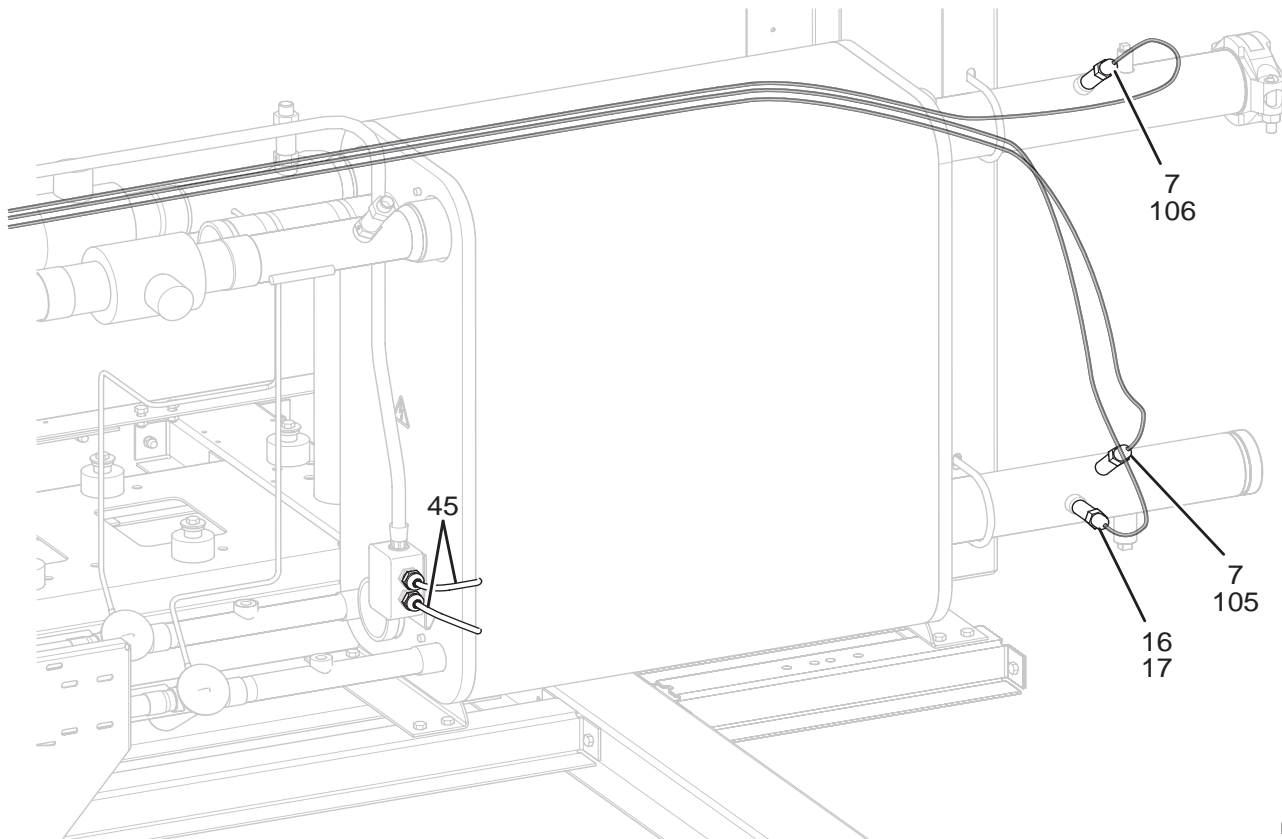
LD18110a

FIGURE 27 - SYSTEM WIRING



LD18035

FIGURE 28 - SYSTEM WIRING



LD18036

FIGURE 29 - SYSTEM WIRING

TABLE 51 - SYSTEM WIRING HARNESS DETAILS

ITEM	DESCRIPTION	PART NUMBER	SAP	QUANTITY
1	System #1 Suction Pressure 1-BSP (YLAA0058, YLAA0081) Pin 32 = X, E	575-72382-617	1081138	-
	Mini-Univ. Socket (P7)	025-28386-000	737925	4
	3 Conductor Shielded Wire	025-30463-003	738503	76"
	Terminal, Female (Sensor End)	025-41812-000	920272	3
	Plug, Connector (Sensor End)	025-41761-000	920269	1
1	System #1 Suction Pressure 1-BSP (YLAA0065) Pin 32 = X, E	575-72382-619	1081140	-
	Mini-Univ. Socket (P7)	025-28386-000	737925	4
	3 Conductor Shielded Wire	025-30463-003	738503	88"
	Terminal, Female (Sensor End)	025-41812-000	920272	3
	Plug, Connector (Sensor End)	025-41761-000	920269	1
1	System #1 Suction Pressure 1-BSP (YLAA0070, YLAA0080, YLAA0089, YLAA0100, YLAA0101) Pin 32 = X, E	575-72382-345	813879	-
	Mini-Univ. Socket (P7)	025-28386-000	737925	4
	3 Conductor Shielded Wire	025-30463-003	738503	111"
	Terminal, Female (Sensor End)	025-41812-000	920272	3
	Plug, Connector (Sensor End)	025-41761-000	920269	1
1	System #1 Suction Pressure 1-BSP (YLAA0092, YLAA0115 - YLAA0175)	575-72382-341	855339	-
	Mini-Univ. Socket (P7)	025-28386-000	737925	4
	3 Conductor Shielded Wire	025-30463-003	738503	103"
	Terminal, Female (Sensor End)	025-41812-000	920272	3
	Plug, Connector (Sensor End)	025-41761-000	920269	1
2	Leaving Water Temperature (BLCT) (YLAA0058)	575-72382-624	1081145	-
	Mini-Univ. Socket (P6)	025-28386-000	737925	4
	2 Conductor Shielded Wire	025-30463-003	738503	120"
	Collar (Sensor End)	025-28950-000	65212	2
	Contact Receptacle (Sensor End)	025-28952-000	260	2
	Plug, Connector (Sensor End)	025-28951-000	62724	1
2	Leaving Water Temperature (BLCT) (YLAA0065)	575-72382-625	1081146	-
	Mini-Univ. Socket (P6)	025-28386-000	737925	4
	2 Conductor Shielded Wire	025-30463-003	738503	130"
	Collar (Sensor End)	025-28950-000	65212	2
	Contact Receptacle (Sensor End)	025-28952-000	260	2
	Plug, Connector (Sensor End)	025-28951-000	62724	1
2	Leaving Water Temperature (BLCT) (YLAA0070, YLAA0080, YLAA0089, YLAA0100, YLAA0101)	575-72382-347	816571	-
	Mini-Univ. Socket (P6)	025-28386-000	737925	4
	2 Conductor Shielded Wire	025-30463-003	738503	140"
	Collar (Sensor End)	025-28950-000	65212	2
	Contact Receptacle (Sensor End)	025-28952-000	260	2
	Plug, Connector (Sensor End)	025-28951-000	62724	1

TABLE 51 - SYSTEM WIRING HARNESS DETAILS (CONT'D)

ITEM	DESCRIPTION	PART NUMBER	SAP	QUANTITY
2	Leaving Water Temperature (BLCT) (YLAA0081)	575-72382-626	1081147	-
	Mini-Univ. Socket (P6)	025-28386-000	737925	4
	2 Conductor Shielded Wire	025-30463-003	738503	112"
	Collar (Sensor End)	025-28950-000	65212	2
	Contact Receptacle (Sensor End)	025-28952-000	260	2
	Plug, Connector (Sensor End)	025-28951-000	62724	1
2	Leaving Water Temperature (BLCT) (YLAA0092, YLAA0115, YLAA0120)	575-72382-343	855341	-
	Mini-Univ. Socket (P6)	025-28386-000	737925	4
	2 Conductor Shielded Wire	025-30463-003	738503	169"
	Collar (Sensor End)	025-28950-000	65212	2
	Contact Receptacle (Sensor End)	025-28952-000	260	2
	Plug, Connector (Sensor End)	025-28951-000	62724	1
2	Leaving Water Temperature (BLCT) (YLAA0125 - YLAA0175)	575-72382-350	944956	-
	Mini-Univ. Socket (P6)	025-28386-000	737925	4
	2 Conductor Shielded Wire	025-30463-003	738503	209"
	Collar (Sensor End)	025-28950-000	65212	2
	Contact Receptacle (Sensor End)	025-28952-000	260	2
	Plug, Connector (Sensor End)	025-28951-000	62724	1
3	Enter Water Temperature (BECT) (YLAA0058)	575-72382-627	1081148	-
	Mini-Univ. Socket (P6)	025-28386-000	737925	3
	2 Conductor Shielded Wire	025-30463-002	738502	98"
	Collar (Sensor End)	025-28950-000	65212	2
	Contact Receptacle (Sensor End)	025-28952-000	260	2
	Plug, Connector (Sensor End)	025-28951-000	62724	1
3	Enter Water Temperature (BECT) (YLAA0065)	575-72382-628	1081149	-
	Mini-Univ. Socket (P6)	025-28386-000	737925	3
	2 Conductor Shielded Wire	025-30463-002	738502	110"
	Collar (Sensor End)	025-28950-000	65212	2
	Contact Receptacle (Sensor End)	025-28952-000	260	2
	Plug, Connector (Sensor End)	025-28951-000	62724	1
3	Enter Water Temperature (BECT) (YLAA0070, YLAA0080, YLAA0089, YLAA0100, YLAA0101)	575-72382-348	816572	-
	Mini-Univ. Socket (P6)	025-28386-000	737925	3
	2 Conductor Shielded Wire	025-30463-002	738502	139"
	Collar (Sensor End)	025-28950-000	65212	2
	Contact Receptacle (Sensor End)	025-28952-000	260	2
	Plug, Connector (Sensor End)	025-28951-000	62724	1
3	Enter Water Temperature (BECT) (YLAA0081)	575-72382-629	1081150	-
	Mini-Univ. Socket (P6)	025-28386-000	737925	3
	2 Conductor Shielded Wire	025-30463-002	738502	94"
	Collar (Sensor End)	025-28950-000	65212	2
	Contact Receptacle (Sensor End)	025-28952-000	260	2
	Plug, Connector (Sensor End)	025-28951-000	62724	1

TABLE 51 - SYSTEM WIRING HARNESS DETAILS (CONT'D)

ITEM	DESCRIPTION	PART NUMBER	SAP	QUANTITY
3	Enter Water Temperature (BECT) (YLAA0092, YLAA0115, YLAA0120)	575-72382-344	855342	-
	Mini-Univ. Socket (P6)	025-28386-000	737925	3
	2 Conductor Shielded Wire	025-30463-002	738502	147"
	Collar (Sensor End)	025-28950-000	65212	2
	Contact Receptacle (Sensor End)	025-28952-000	260	2
	Plug, Connector (Sensor End)	025-28951-000	62724	1
3	Enter Water Temperature (BECT) (YLAA0125 - YLAA0175)	575-72382-351	944957	-
	Mini-Univ. Socket (P6)	025-28386-000	737925	3
	2 Conductor Shielded Wire	025-30463-002	738502	187"
	Collar (Sensor End)	025-28950-000	65212	2
	Contact Receptacle (Sensor End)	025-28952-000	260	2
	Plug, Connector (Sensor End)	025-28951-000	62724	1
4	Outside Air Temperature (BAMB) (YLAA0058, YLAA0065, YLAA0081)	575-72382-623	1081144	-
	Mini-Univ. Socket (P6)	025-28386-000	737925	3
	2 Conductor Shielded Wire	025-30463-002	738502	120"
	Collar (Sensor End)	025-28950-000	65212	2
	Contact Receptacle (Sensor End)	025-28952-000	260	2
	Plug, Connector (Sensor End)	025-28951-000	62724	1
4	Outside Air Temperature (BAMB) (YLAA0070, YLAA0080, YLAA0089, YLAA0100, YLAA0101)	575-72382-311	808350	-
	Mini-Univ. Socket (P6)	025-28386-000	737925	3
	2 Conductor Shielded Wire	025-30463-002	738502	135"
	Collar (Sensor End)	025-28950-000	65212	2
	Contact Receptacle (Sensor End)	025-28952-000	260	2
	Plug, Connector (Sensor End)	025-28951-000	62724	1
4	Outside Air Temperature (BAMB) (YLAA0092, YLAA0115 - YLAA0175)	575-72382-304	808343	-
	Mini-Univ. Socket (P6)	025-28386-000	737925	3
	2 Conductor Shielded Wire	025-30463-002	738502	140"
	Collar (Sensor End)	025-28950-000	65212	2
	Contact Receptacle (Sensor End)	025-28952-000	260	2
	Plug, Connector (Sensor End)	025-28951-000	62724	1
5	System #2 Suction Pressure (2-BSP) (YLAA0058, YLAA0065)	575-72382-618	1081139	-
	Mini-Univ. Socket (P9)	025-28386-000	737925	4
	3 Conductor Shielded Wire	025-30463-003	738503	120"
	Terminal, Female (Sensor End)	025-41812-000	920272	3
	Plug, Connector (Sensor End)	025-41761-000	920269	1
5	System #2 Suction Pressure (2-BSP) (YLAA0070, YLAA0080, YLAA89, YLAA100, YLAA101)	575-72382-346	813880	-
	Mini-Univ. Socket (P9)	025-28386-000	737925	4
	3 Conductor Shielded Wire	025-30463-003	738503	134"
	Terminal, Female (Sensor End)	025-41812-000	920272	3
	Plug, Connector (Sensor End)	025-41761-000	920269	1

TABLE 51 - SYSTEM WIRING HARNESS DETAILS (CONT'D)

ITEM	DESCRIPTION	PART NUMBER	SAP	QUANTITY
5	System #2 Suction Pressure (2-BSP) (YLAA0081)	575-72382-620	1081141	-
	Mini-Univ. Socket (P9)	025-28386-000	737925	4
	3 Conductor Shielded Wire	025-30463-003	738503	96"
	Terminal, Female (Sensor End)	025-41812-000	920272	3
	Plug, Connector (Sensor End)	025-41761-000	920269	1
5	System #2 Suction Pressure (2-BSP) (YLAA0092, YLAA0115 - YLAA0175)	575-72382-342	855340	-
	Mini-Univ. Socket (P9)	025-28386-000	737925	4
	3 Conductor Shielded Wire	025-30463-003	738503	137"
	Terminal, Female (Sensor End)	025-41812-000	920272	3
	Plug, Connector (Sensor End)	025-41761-000	920269	1
6	System #1 Discharge Pressure (1-BDP) (YLAA0058, YLAA0065, YLAA0081)	575-72382-621	1081142	-
	Mini-Univ. Socket (P16)	025-28386-000	737925	4
	3 Conductor Shielded Wire	025-30463-003	738503	69"
	Terminal, Female (Sensor End)	025-41812-000	920272	3
	Plug, Connector (Sensor End)	025-41761-000	920269	1
6	System #1 Discharge Pressure (1-BDP) (YLAA0070, YLAA0080, YLAA0089, YLAA0100, YLAA0101)	575-72382-309	808348	-
	Mini-Univ. Socket (P16)	025-28386-000	737925	4
	3 Conductor Shielded Wire	025-30463-003	738503	100"
	Terminal, Female (Sensor End)	025-41812-000	920272	3
	Plug, Connector (Sensor End)	025-41761-000	920269	1
6	System #1 Discharge Pressure (1-BDP) (YLAA0092, YLAA0115 - YLAA0175)	575-72382-302	808341	-
	Mini-Univ. Socket (P16)	025-28386-000	737925	4
	3 Conductor Shielded Wire	025-30463-003	738503	120"
	Terminal, Female (Sensor End)	025-41812-000	920272	3
	Plug, Connector (Sensor End)	025-41761-000	920269	1
7	System #2 Discharge Pressure (2-BDP) (YLAA0058, YLAA0065, YLAA0081)	575-72382-622	1081143	-
	Mini-Univ. Socket (P18)	025-28386-000	737925	4
	3 Conductor Shielded Wire	025-30463-003	738503	115"
	Terminal, Female (Sensor End)	025-41812-000	920272	3
	Plug, Connector (Sensor End)	025-41761-000	920269	1
7	System #2 Discharge Pressure (2-BDP) (YLAA0070, YLAA0080, YLAA0089, YLAA0100, YLAA0101)	575-72382-310	808349	-
	Mini-Univ. Socket (P18)	025-28386-000	737925	4
	3 Conductor Shielded Wire	025-30463-003	738503	155"
	Terminal, Female (Sensor End)	025-41812-000	920272	3
	Plug, Connector (Sensor End)	025-41761-000	920269	1

TABLE 51 - SYSTEM WIRING HARNESS DETAILS (CONT'D)

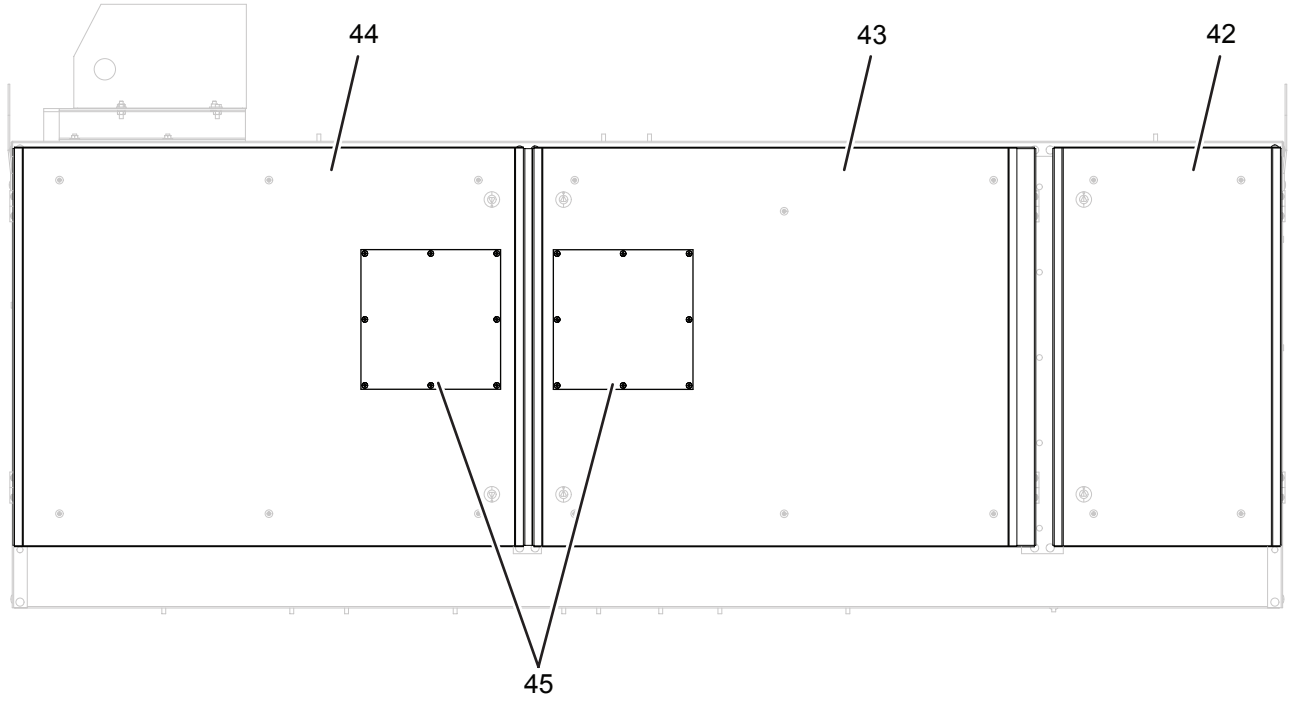
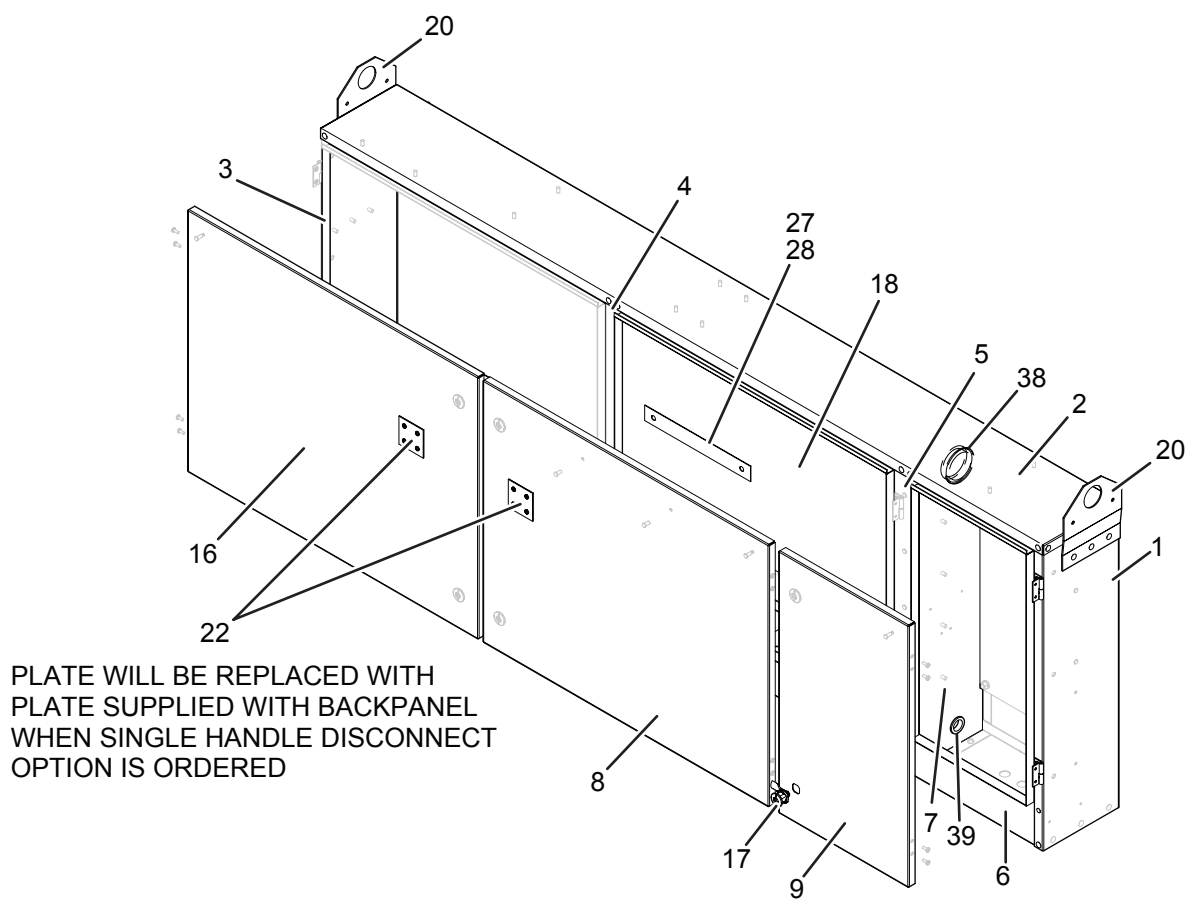
ITEM	DESCRIPTION	PART NUMBER	SAP	QUANTITY
7	System #2 Discharge Pressure (2-BDP) (YLAA0092, YLAA0115 - YLAA0175)	575-72382-303	808342	-
	Mini-Univ. Socket (P18)	025-28386-000	737925	4
	3 Conductor Shielded Wire	025-30463-003	738503	160"
	Terminal, Female (Sensor End)	025-41812-000	920272	3
	Plug, Connector (Sensor End)	025-41761-000	920269	1
8	Wiring Harness w/ Din Plug 1-YLLSV (YLAA0058)	575-72382-613	1081134	-
	Conduit, 3/8"	025-31302-000	618155	7'
	Connector 3/8" 90 Deg Angle (Power Panel End)	025-31315-000	618164	1
	Connector 3/8" Straight (Sensor End)	025-31309-000	117547	1
	Connector Din Plug w/ Suppressor (Sensor End)	025-37876-000	117987	1
8	Wiring Harness w/ Din Plug 1-YLLSV (YLAA0070, YLAA0080, YLAA0089, YLAA0100, YLAA0101, YLAA0136 - YLAA0175)	575-72382-293	813877	-
	Conduit, 3/8"	025-31302-000	618155	8'
	Connector 3/8" 90 Deg Angle (Power Panel End)	025-31315-000	618164	1
	Connector 3/8" Straight (Sensor End)	025-31309-000	117547	1
	Connector Din Plug w/ Suppressor (Sensor End)	025-37876-000	117987	1
8	Wiring Harness w/ Din Plug 1-YLLSV (YLAA0092, YLAA0115, YLAA0120, YLAA0125)	575-72382-291	855337	-
	Conduit, 3/8"	025-31302-000	618155	9'
	Connector 3/8" 90 Deg Angle (Power Panel End)	025-31315-000	618164	1
	Connector 3/8" Straight (Sensor End)	025-31309-000	117547	1
	Connector Din Plug w/ Suppressor (Sensor End)	025-37876-000	117987	1
9	Wiring Harness w/ Din Plug 2-YLLSV (YLAA0058, YLAA0081)	575-72382-614	1081135	-
	Conduit, 3/8"	025-31302-000	618155	8'
	Connector 3/8" 90 Deg Angle (Power Panel End)	025-31315-000	618164	1
	Connector 3/8" Straight (Sensor End)	025-31309-000	117547	1
	Connector Din Plug w/ Suppressor (Sensor End)	025-37876-000	117987	1
9	Wiring Harness w/ Din Plug 2-YLLSV (YLAA0065)	575-72382-616	1081137	-
	Conduit, 3/8"	025-31302-000	618155	9.25'
	Connector 3/8" 90 Deg Angle (Power Panel End)	025-31315-000	618164	1
	Connector 3/8" Straight (Sensor End)	025-31309-000	117547	1
	Connector Din Plug w/ Suppressor (Sensor End)	025-37876-000	117987	1
9	Wiring Harness w/ Din Plug 2-YLLSV (YLAA0070, YLAA0080, YLAA0089, YLAA0100, YLAA0101, YLAA0136 - YLAA0175)	575-72382-294	813878	-
	Conduit, 3/8"	025-31302-000	618155	7.17'
	Connector 3/8" 90 Deg Angle (Power Panel End)	025-31315-000	618164	1
	Connector 3/8" Straight (Sensor End)	025-31309-000	117547	1
	Connector Din Plug w/ Suppressor (Sensor End)	025-37876-000	117987	1
9	Wiring Harness w/ Din Plug 2-YLLSV (YLAA0092, YLAA0115, YLAA0120, YLAA0125)	575-72382-292	855338	-
	Conduit, 3/8"	025-31302-000	618155	7.75'
	Connector 3/8" 90 Deg Angle (Power Panel End)	025-31315-000	618164	1
	Connector 3/8" Straight (Sensor End)	025-31309-000	117547	1
	Connector Din Plug w/ Suppressor (Sensor End)	025-37876-000	117987	1

TABLE 51 - SYSTEM WIRING HARNESS DETAILS (CONT'D)

ITEM	DESCRIPTION	PART NUMBER	SAP	QUANTITY
10	Wiring Harness System #1	575-72382-314	808353	-
	3 Conductor Shielded Wire	025-30463-003	738503	.75'
	Plug, 12 Position	025-28384-000	737920	1
	Cap, 4 Position	025-32962-000	738788	1
	Cap, 3 Position	025-39838-000	739721	1
11	Wiring Harness System #2	575-72382-315	808354	-
	3 Conductor Shielded Wire	025-30463-003	738503	.75'
	Plug, 12 Position	025-28384-000	737920	1
	Cap, 4 Position	025-32962-000	738788	1
	Cap, 3 Position	025-39838-000	739721	1
11	Wiring Harness System #2 (Pin 20 = H or S)	575-72382-333	808369	-
	3 Conductor Shielded Wire	025-30463-003	738503	.75'
	3 Conductor Shielded Wire	025-30463-003	738503	2'
	Plug, 12 Position	025-28384-000	737920	1
	Cap, 4 Position	025-32962-000	738788	1
	Cap, 3 Position	025-39838-000	739721	1
11	Wiring Harness System #2 (Pin 20 = A or B)	575-72382-331	808367	-
	3 Conductor Shielded Wire	025-30463-003	738503	.75'
	Plug, 12 Position	025-28384-000	737920	1
	Cap, 4 Position	025-32962-000	738788	1
	Cap, 3 Position	025-39838-000	739721	1
12	Harness Heat Exchanger (EHE)	575-72382-606	898581	-
	Conduit, 3/8"	025-31302-000	618155	10'
	Connector 3/8" 90 Deg Angle (Power Panel End)	025-31315-000	618164	2

TABLE 52 - POWER ENCLOSURE (PIN 14 = C OR F)

ITEM	DESCRIPTION	PART NUMBER	SAP	FIGURE
1	Electrical Enclosure Panel, Side	075-74544-000	757218	30
2	Electrical Enclosure Panel, Top	075-74542-000	757216	30
3	Electrical Enclosure Panel, Side	075-74543-000	757217	30
4	Support Door Electrical Enclosure	075-74545-000	757219	30
5	Support Door Electrical Enclosure	075-74557-000	757230	30
6	Electrical Enclosure Panel, Bottom	075-74552-000	757223	30
7	Electrical Enclosure Panel	075-74556-000	757229	30
8	Door, Electrical Enclosure	075-74558-000	757231	30
9	Door Control, Electrical Enclosure	075-74554-000	757226	30
16	Door, Electrical Enclosure (Pin 20 = A or H)	075-74553-000	757224	30
	Door, Electrical Enclosure (Pin 20 = B or S)	075-74553-500	757225	
17	Quarter Turn Panel Latch	021-32078-000	410126	30
18	Panel Rear Electrical Enclosure	075-74555-000	757228	30
20	Bracket Lifting Electrical Enclosure	075-74912-000	757514	30
22	Plate Patch	075-61074-009	754268	30
27	Bar Electrical Enclosure	075-74918-000	757515	30
28	Nut Wing M6	021-31562-000	654272	30
38	Snap Bushing	028-14325-000	741869	30
39	Snap Bushing	028-14320-000	741868	30
42	Cover Door Panel Control	075-84343-000	560103	30
43	Cover Door Panel Electrical (Right)	075-84344-001	759414	30
44	Cover Door Panel Electrical (Left)	075-84345-001	759415	30
45	Plate Patch Sunshield	075-90123-000	760207	30

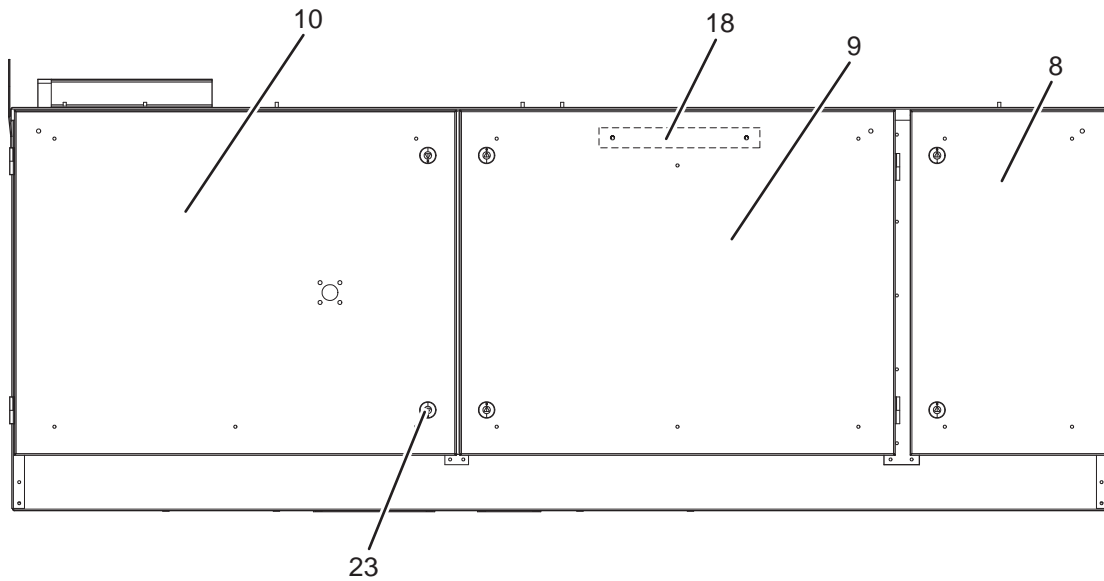
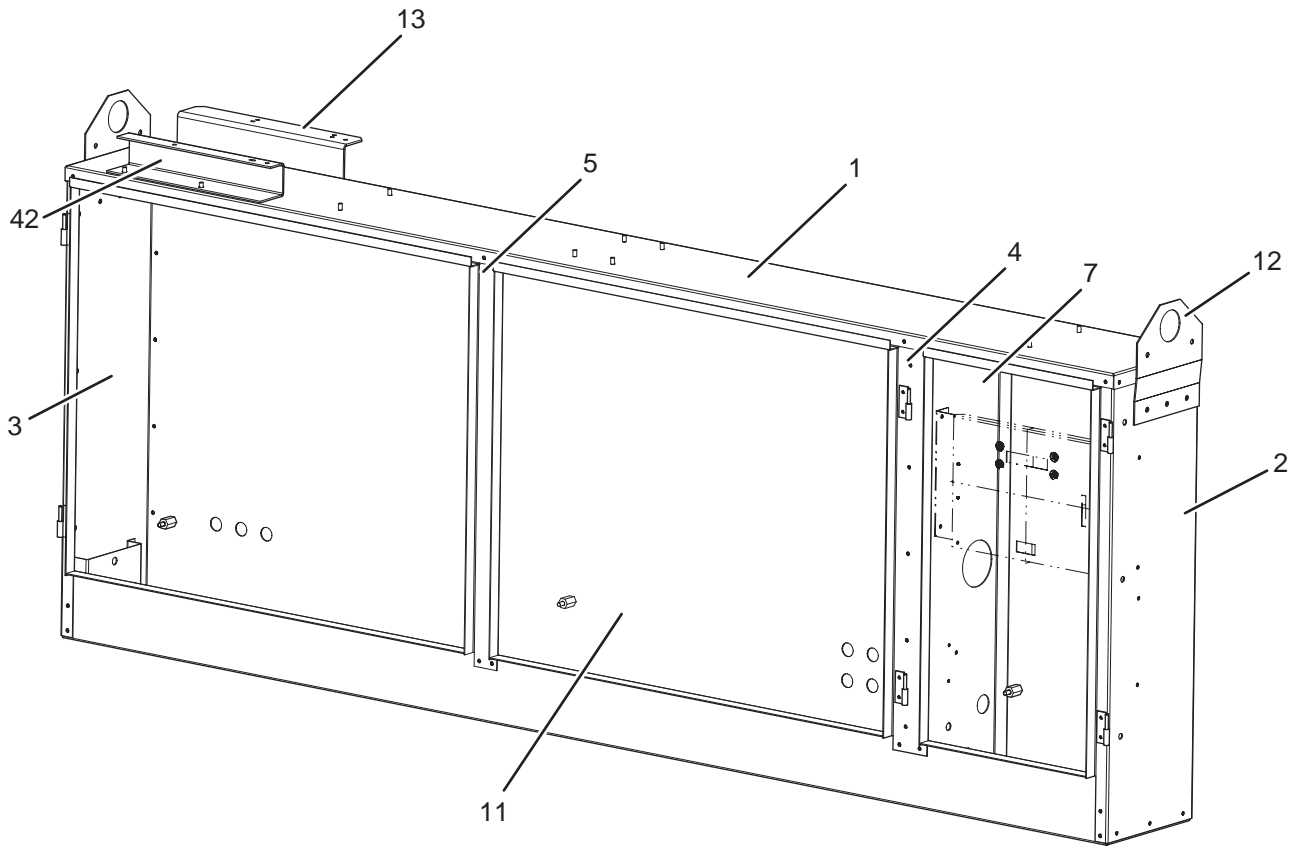


LD16781

FIGURE 30 - POWER ENCLOSURE (PIN 14 = C OR F)

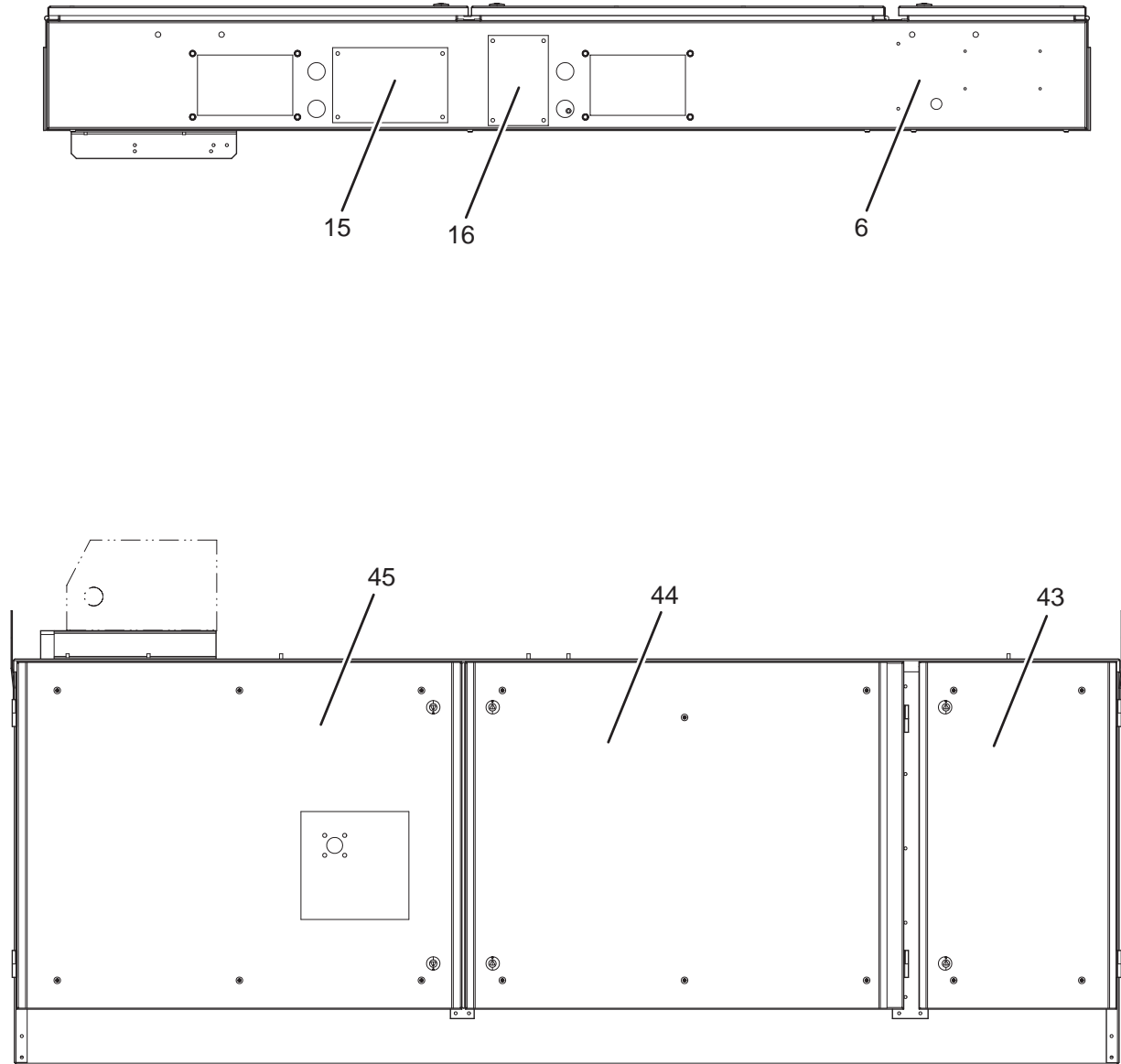
TABLE 53 - POWER ENCLOSURE (PIN 14 = A OR D)

ITEM	DESCRIPTION	PART NUMBER	SAP	FIGURE
1	Panel Top Enclosure	075-76657-000	758087	31
2	Panel Side Enclosure	075-76658-000	502396	31
3	Panel Side Enclosure	075-76659-000	502397	31
4	Support Door Elec	075-76660-000	502398	31
5	Support Enclosure	075-76661-000	758088	31
6	Panel Bottom Enclosure	075-76662-000	758089	32
7	Divider Electrical Enclosure	075-77666-000	502471	31
8	Door Elec Enclosure	075-77667-000	758090	31
	Door Elec Enclosure With Sunshield	075-77667-500	559979	
9	Door Power Enclosure	075-77668-000	758091	31
	Door Power R/H Enclosure With Sunshield	075-77668-500	560101	
10	Door Power Enclosure	075-77669-000	758092	31
	Door Power L/H Enclosure With Sunshield	075-77669-500	560102	
11	Panel Back Enclosure	075-77670-000	758093	31
12	Bracket Lifting Enclosure	075-77671-000	502476	31
13	Bracket Transformer	075-77911-000	758154	31
15	Patch Plate Door	075-77921-000	758155	32
16	Patch Plate Enclosure	075-77922-000	758156	32
17	Bracket Capacitor	075-77923-000	758157	*
18	Patch Plate Enclosure	075-79817-000	502482	31
23	Quarter-Turn Panel Latch	021-32078-000	410126	31
42	Bracket Trans Support	075-82816-000	758879	31
43	Cover Door Panel Control	075-84343-000	560103	32
44	Cover Door Panel Elec R/H	075-84344-000	560104	32
45	Cover Door Panel Control	075-84345-002	560105	32



LD18111

FIGURE 31 - POWER ENCLOSURE (PIN 14 = A OR D)



LD18112

FIGURE 32 - POWER ENCLOSURE (PIN 14 = A OR D)

TABLE 54 - CONTROL PANEL AND POWER PANEL IDENTIFIERS FOR LOW SOUND AND ULTRA QUIET FANS

MODEL	VOLTAGE (PIN 11 & 12)	SINGLE POINT TERMINAL BLOCK (SX)	SINGLE POINT NON-FUSED DISCONNECT SWITCH (SD)	SINGLE POINT CIRCUIT BREAKER (BX)	SINGLE POINT CIRCUIT BREAKER W/ LOCKABLE HANDLE, 65KA SCWR (BC)
YLAA0058	17	371-06570-111	371-06570-211	371-06570-311	371-06570-611
	28				
	40	371-06570-113	371-06570-213	371-06570-313	371-06570-613
	46	371-06570-114	371-06570-214	371-06570-314	371-06570-614
	58	371-06570-115	371-06570-215	371-06570-315	371-06570-615
YLAA0065	17	371-06570-121	371-06570-221	371-06570-321	371-06570-621
	28				
	40	371-06570-123	371-06570-223	371-06570-323	371-06570-623
	46	371-06570-124	371-06570-224	371-06570-324	371-06570-624
	58	371-06570-125	371-06570-225	371-06570-325	371-06570-625
YLAA0070	17	371-05245-101	371-05245-201	371-05245-301	371-05245-601
	28	371-05245-102	371-05245-202	371-05245-302	
	40	371-05245-103	371-05245-203	371-05245-303	371-05245-603
	46	371-05245-104	371-05245-204	371-05245-304	371-05245-604
	58	371-05245-105	371-05245-205	371-05245-305	371-05245-605
YLAA0080 AND YLAA0081	17	371-05245-107	371-05245-207	371-05245-307	371-05245-607
	28	371-05245-108	371-05245-208	371-05245-308	
	40	371-05245-109	371-05245-209	371-05245-309	371-05245-609
	46	371-05245-110	371-05245-210	371-05245-310	371-05245-610
	58	371-05245-111	371-05245-211	371-05245-311	371-05245-611
YLAA0089, YLAA0092	17	371-05246-141	371-05246-241	371-05246-341	371-05246-613
	28	371-05246-142	371-05246-242	371-05246-342	
	40	371-05246-143	371-05246-243	371-05246-343	371-05246-614
	46	371-05246-144	371-05246-244	371-05246-344	371-05246-612
	58	371-05246-145	371-05246-245	371-05246-345	371-05246-615
YLAA0100 AND YLAA0101	17	371-05246-107	371-05246-207	371-05246-329	371-05246-607
	28	371-05246-108	371-05246-208		
	40	371-05246-109	371-05246-209	371-05246-331	371-05246-609
	46	371-05246-110	371-05246-210	371-05246-310	371-05246-610
	58	371-05246-111	371-05246-211	371-05246-333	371-05246-611
YLAA0115, YLAA0120 AND YLAA0125	17	371-05244-107	371-05244-207	371-05244-313	371-05244-607
	28	371-05244-108	371-05244-208		
	40	371-05244-109	371-05244-209	371-05244-315	371-05244-609
	46	371-05244-110	371-05244-210	371-05244-316	371-05244-610
	58	371-05244-111	371-05244-211	371-05244-311	371-05244-611
YLAA0136, YLAA0142	17	371-06570-101	371-06570-201	371-06570-301	371-06570-601
	28				
	40	371-06570-103	371-06570-203	371-06570-303	371-06570-603
	46	371-06570-104	371-06570-204	371-06570-304	371-06570-604
	58	371-06570-105	371-06570-205	371-06570-305	371-06570-605

TABLE 54 - CONTROL PANEL AND POWER PANEL IDENTIFIERS FOR LOW SOUND AND ULTRA QUIET FANS (CONT'D)

MODEL	VOLTAGE (PIN 11 & 12)	SINGLE POINT TERMINAL BLOCK (SX)	SINGLE POINT NON-FUSED DISCONNECT SWITCH (SD)	SINGLE POINT CIRCUIT BREAKER (BX)	SINGLE POINT CIRCUIT BREAKER W/ LOCKABLE HANDLE, 65KA SCWR (BC)
YLAA0150, YLAA0155, YLAA0156	17	371-05246-119	371-05246-219	371-05246-325	371-05246-619
	28	371-05246-120	371-05246-220		
	40	371-05246-121	371-05246-221	371-05246-327	371-05246-621
	46	371-05246-122	371-05246-228	371-05246-328	371-05246-622
	58	371-05246-123	371-05246-223	371-05246-323	371-05246-623
YLAA0170, YLAA0175	17	371-05247-101	371-05247-201	371-05247-307	371-0527-601
	28	371-05247-102	371-05247-202		
	40	371-05247-103	371-05247-203	371-05247-309	371-0527-603
	46	371-05247-104	371-05247-204	371-05247-310	371-0527-604
	58	371-05247-105	371-05247-205	371-05247-311	371-0527-605
YLAA0200	17	371-08058-101	371-08058-201	371-08058-301	371-08058-601
	28				
	40	371-08058-102	371-08058-202	371-08058-302	371-08058-602
	46	371-08058-103	371-08058-203	371-08058-303	371-08058-603
	58	371-08058-105	371-08058-204	371-08058-304	371-08058-604
YLAA0230	17	371-08058-105	371-08058-205	371-08058-305	371-08058-605
	28				
	40	N/A	N/A	N/A	N/A
	46	371-08058-107	371-08058-207	371-08058-307	371-08058-607
	58	371-08058-103	N/A	371-08058-303	671-08058-603

TABLE 55 - CONTROL PANEL AND POWER PANEL IDENTIFIERS FOR HIGH AIR FLOW FANS

MODEL	VOLTAGE (PIN 11 & 12)	SINGLE POINT TERMINAL BLOCK (SX)	SINGLE POINT NON-FUSED DISCONNECT SWITCH (SD)	SINGLE POINT CIRCUIT BREAKER (BX)	SINGLE POINT CIRCUIT BREAKER W/ LOCKABLE HANDLE, 65KA SCWR (BC)
YLAA0058	17	N/A	N/A	N/A	N/A
	28	N/A	N/A	N/A	N/A
	40	371-0650-116	371-06570-216	371-06570-316	371-06570-616
	46	371-06570-117	371-06570-217	371-06570-317	371-06570-617
	58	N/A	N/A	N/A	N/A
YLAA0065	17	N/A	N/A	N/A	N/A
	28	N/A	N/A	N/A	N/A
	40	371-06570-126	371-06570-226	371-06570-326	371-06570-626
	46	371-06570-127	371-06570-227	371-06570-327	371-06570-627
	58	N/A	N/A	N/A	N/A
YLAA0070	17	N/A	N/A	N/A	N/A
	28	N/A	N/A	N/A	N/A
	40	371-05245-160	371-05246-264	371-05246-364	371-05245-660
	46	371-05245-161	371-05246-261	371-05246-365	371-05246-661
	58	N/A	N/A	N/A	N/A
YLAA0080 AND YLAA0081	17	N/A	N/A	N/A	N/A
	28	N/A	N/A	N/A	N/A
	40	371-05245-162	371-05245-262	371-05246-366	371-05245-662
	46	371-05245-163	371-05245-263	371-05246-367	371-05246-663
	58	N/A	N/A	N/A	N/A
YLAA0089, YLAA0092	17	N/A	N/A	N/A	N/A
	28	N/A	N/A	N/A	N/A
	40	371-05244-190	371-05246-290	371-05246-390	371-05246-668
	46	371-05244-191	371-05246-291	371-05246-391	371-05246-669
	58	N/A	N/A	N/A	N/A
YLAA0100 AND YLAA0101	17	N/A	N/A	N/A	N/A
	28	N/A	N/A	N/A	N/A
	40	371-05246-162	371-05246-262	371-05246-362	371-05246-662
	46	371-05246-163	371-05246-263	371-05246-363	371-05246-663
	58	N/A	N/A	N/A	N/A
YLAA0115, YLAA0120 AND YLAA0125	17	N/A	N/A	N/A	N/A
	28	N/A	N/A	N/A	N/A
	40	371-05244-164	371-05244-264	371-05244-364	371-05244-664
	46	371-05244-165	371-05244-265	371-05244-369	371-05244-665
	58	N/A	N/A	N/A	N/A
YLAA0136, YLAA0142	17	N/A	N/A	N/A	N/A
	28	N/A	N/A	N/A	N/A
	40	371-06570-106	371-06570-206	371-06570-306	371-06570-606
	46	371-06570-107	371-06570-207	371-06570-307	371-06570-607
	58	N/A	N/A	N/A	N/A

TABLE 55 - CONTROL PANEL AND POWER PANEL IDENTIFIERS FOR HIGH AIR FLOW FANS (CONT'D)

MODEL	VOLTAGE (PIN 11 & 12)	SINGLE POINT TERMINAL BLOCK (SX)	SINGLE POINT NON-FUSED DISCONNECT SWITCH (SD)	SINGLE POINT CIRCUIT BREAKER (BX)	SINGLE POINT CIRCUIT BREAKER W/ LOCKABLE HANDLE, 65KA SCWR (BC)
YLAA0150, YLAA0155, YLAA0156	17	N/A	N/A	N/A	N/A
	28	N/A	N/A	N/A	N/A
	40	371-05246-170	371-05246-270	371-05246-374	371-05246-670
	46	371-05246-171	371-05246-274	371-05246-375	371-05246-671
	58	N/A	N/A	N/A	N/A
YLAA0170, YLAA0175	17	N/A	N/A	N/A	N/A
	28	N/A	N/A	N/A	N/A
	40	371-05247-160	371-05247-260	371-05247-360	371-05247-660
	46	371-05247-161	371-05247-261	371-05247-361	371-05247-661
	58	N/A	N/A	N/A	N/A
YLAA0200	17	N/A	N/A	N/A	N/A
	28	N/A	N/A	N/A	N/A
	40	371-08058-112	371-08058-212	371-08058-312	371-08058-612
	46	371-08058-113	371-08058-213	371-08058-313	371-08058-613
	58	N/A	N/A	N/A	N/A
YLAA0230	17	N/A	N/A	N/A	N/A
	28	N/A	N/A	N/A	N/A
	40	N/A	N/A	N/A	N/A
	46	371-08058-117	N/A	371-08058-317	371-08058-617
	58	N/A	N/A	N/A	N/A



DSCN0003

NOTE:

Locate the PANEL NUMBER sticker on the upper right hand corner of the power panel, see Figures 34-36, then refer to the appropriate parts list for that number.

FIGURE 33 - CONTROL PANEL COMPONENTS

TABLE 56 - SINGLE POINT TERMINAL BLOCK STANDARD OR ULTRA QUIET FANS (PIN 52 = X OR L) (SX)

ITEM	DESCRIPTION	MODEL	VOLTAGE (PIN 11 & 12)	PART NUMBER	FIGURE
1	Fuse, 600V, Class CC, 30A	YLAA0058 - YLAA0175	ALL	025-39683-000**	34
1A	Fuse Holder, 3-Pole, 30A, Class CC	YLAA0058 - YLAA0175	ALL	025-45048-003	
2	115V Control Harness 4 Compressors / 4 Fan Contactors	YLAA0058 - YLAA0175	ALL	-	*
	Connector - Housing			025-20788-000	
	Connector, Plug			025-20918-000	
	Split Pin Connector			025-22214-000	
	Socket Connector, Female			025-22215-000	
	Connector Contact			025-28386-000	
	Housing, Cap			025-32962-000	
3	Clip-On RC Circ.110-240V, D09-D38 & Cad Contactor Coil Supp Module	YLAA0058 - YLAA0175	ALL	031-02106-000	*
4	Contactors, 3-Pole, 12A, 600V	YLAA0058, YLAA0065, YLAA0089, YLAA0092	17, 28	024-34300-000**	34
	Contactors, 3-Pole, 9A, 600V		40, 46, 58	024-34302-000**	
	Contactors, 3-Pole, 12A, 600V	YLAA0070, YLAA0080, YLAA0081	17, 28, 40	024-34300-000**	
	Contactors, 3-Pole, 9A, 600V		46, 58	024-34302-000**	
	Contactors, 3-Pole, 12A, 600V		17, 28	024-34300-000**	
	Contactors, 3-Pole, 18A, 600V	YLAA0100, YLAA0101	17, 28, 40	024-34304-000**	
	Contactors, 3-Pole, 9A, 600V		46, 58	024-34302-000**	
	Contactors, 3-Pole, 18A, 600V	YLAA0115, YLAA0120, YLAA0125	17, 28	024-34304-000**	
	Contactors, 3-Pole, 12A, 600V		40, 46, 58	024-34300-000**	
	Contactors, 3-Pole, 12A, 600V	YLAA0136, YLAA0142	17, 28	024-34300-000**	
	Contactors, 3-Pole, 18A, 600V		40, 46, 58	024-34304-000**	
	Contactors, 3-Pole, 18A, 600V	YLAA0150, YLAA0155, YLAA0156	ALL	024-34304-000**	
	Contactors, 3-Pole, 18A, 600V	YLAA0170, YLAA0175	17, 28, 40	024-34304-000**	
	Contactors, 3-Pole, 12A, 600V		46, 58	024-34300-000**	
5	Contactors, 3-Pole, 80A, 600V	YLAA0058 - YLAA0081	17, 28	024-34310-000**	34
	Contactors, 3-Pole, 50A, 600V		40, 46, 58	024-37040-000**	
	Contactors, 3-Pole, 65A, 600V	YLAA0080, YLAA0081	40	024-37041-000**	
	Contactors, 3-Pole, 80A, 600V		17, 28	024-34310-000**	
	Contactors, 3-Pole, 50A, 600V	YLAA0089, YLAA0092	40, 46	024-37040-000**	
	Contactors, 3-Pole, 40A, 600V		58	024-37039-000**	
	Contactors, 3-Pole, 150A, 600V		17, 28	024-34294-000**	
	Contactors, 3-Pole, 65A, 600V	YLAA0100, YLAA0101	40	024-37041-000**	
	Contactors, 3-Pole, 115A, 600V 110V Coil		40	029-23472-000**	
	Contactors, 3-Pole, 80A, 600V		17, 46, 58	024-34310-000**	
	Contactors, 3-Pole, 150A, 600V	YLAA0115, YLAA0120, YLAA0125	17, 28, 40	024-34294-000**	
	Contactors, 3-Pole, 80A, 600V		46, 58	024-34310-000**	

NOTE:

* Items are NOT represented.

** Make a visual inspection of the fuses and contactors in order to select the correct replacement part, refer to Table 64 on page 116.

**TABLE 56 - SINGLE POINT TERMINAL BLOCK STANDARD OR ULTRA QUIET FANS (PIN 52 = X OR L) (SX)
 (CONT'D)**

ITEM	DESCRIPTION	MODEL	VOLTAGE (PIN 11 & 12)	PART NUMBER	FIGURE
5	Contactor, 3-Pole, 115A, 600V 110V Coil	YLAA0136, YLAA0142	17, 28, 40	029-23472-000**	34
	Contactor, 3-Pole, 80A, 600V		46, 58	024-34310-000**	
	Contactor, 3-Pole, 150A, 600V	YLAA0150, YLAA0155, YLAA0156	17, 28	024-34294-000**	
	Contactor, 3-Pole, 115A, 600V 110V Coil		40	029-23472-000**	
	Contactor, 3-Pole, 80A, 600V		46, 58	024-34310-000**	
	Contactor, 3-Pole, 150A, 600V	YLAA0170, YLAA0175	17, 28	024-34294-000**	
	Contactor, 3-Pole, 115A, 600V 110V Coil		40	029-23472-000**	
	Contactor, 3-Pole, 80A, 600V		46, 58	024-34310-000**	
6	Cover, Distribution Block	YLAA0058, YLAA0065	17, 28	025-39397-000	34
			40, 46, 58	025-40848-000	
		YLAA0070 - YLAA0101	17, 28	025-39397-000	
			40, 46, 58	025-38395-000	
		YLAA0115 - YLAA0142	17, 28, 40	025-39397-000	
			46, 58	025-38395-000	
		YLAA0150 - YLAA0175	40, 46	025-39397-000	
			58	025-38395-000	
7	Ground Lug, Copper	YLAA0058, YLAA0065	17, 28	025-34088-000	34
			40, 46, 58	025-38395-000	
		YLAA0070 - YLAA0081, YLAA0100, YLAA0101, YLAA0136, YLAA0142	ALL	025-34088-000	
			YLAA0089, YLAA092	17, 28, 40	
		46, 58		025-34088-000	
		YLAA0115 - YLAA0125, YLAA0150 - YLAA0175	17, 28	025-34089-000	
			40, 46, 58	025-34088-000	
		8	Ground Lug, Copper	YLAA0058	
40, 46, 58	025-34455-000				
	025-29194-000				
YLAA0065	17, 28			025-34085-000	
	40, 58			025-34455-000	
	46			025-34088-000	
YLAA0070, YLAA0080, YLAA0081, YLAA0100, YLAA0101	ALL			025-34089-000	
	YLAA0089, YLAA0092			17, 28, 40	025-34085-000
46, 58				025-34089-000	
YLAA0115 - YLAA0125	17, 28, 40, 46			025-34085-000	
	58			025-34089-000	

NOTE:

* Items are NOT represented.

** Make a visual inspection of the fuses and contactors in order to select the correct replacement part, refer to Table 64 on page 116.

**TABLE 56 - SINGLE POINT TERMINAL BLOCK STANDARD OR ULTRA QUIET FANS (PIN 52 = X OR L) (SX)
(CONT'D)**

ITEM	DESCRIPTION	MODEL	VOLTAGE (PIN 11 & 12)	PART NUMBER	FIGURE
8	Ground Lug, Copper	YLAA0136, YLAA0142	17, 28, 40	025-34089-000	34
			46	025-34086-000	
			58	025-34085-000	
		YLAA0150 - YLAA0175	17, 28, 46	025-34085-000	
			40, 58	025-34089-000	
8A	Ground Lug, Copper	YLAA0136, YLAA0142	17, 28	025-34086-000	34
9	Distribution Block	YLAA0058, YLAA0065	17, 28	025-32536-000	34
			40, 46, 58	025-34089-000	
		YLAA0070 - YLAA0101	17, 28	025-32536-000	
			40, 46, 58	025-40848-000	
		YLAA0115 - YLAA0142	17, 28, 40	025-32536-000	
			46, 58	025-40848-000	
		YLAA0150 - YLAA0175	17, 28, 40, 46	025-32536-000	
			58	025-40848-000	
10	Surge Suppressor	YLAA0058 - YLAA0175	ALL	031-00808-000	34
11	Micro Assy	YLAA0058 - YLAA0175	ALL	-	*
	Fuse, 600V, Class CC, 10A			025-34430-000	
	Fuse Holder, 1-Pole, 30A, Class CC			025-45048-001	
	Pcb Connector, Female, 4-Position			025-35627-000	
	Terminal, Ground 22 - 10 Ga.			025-39407-000	
	Jumper, Plug-In (2-Position)			025-37678-000	
	PCB Connector, Female, 10-Position			025-29195-000	
	Connector - Housing			025-20788-000	
	Connector, Plug			025-20918-000	
	Split Pin Connector			025-22214-000	
	Socket Connector, Female			025-22215-000	
12	Harness - Micro Elv	YLAA0058 - YLAA0175	ALL	-	*
	Mini Mate-N-Lok			025-28385-000	
	Plug Housing			025-18955-000	
	Plug Housing			025-21137-000	
	Push-On Conn/Fem Straight			025-23735-000	
	Connector Contact			025-34058-000	
	4 Circuit Dual Row			025-28386-000	
		025-28959-000			
13	Assy IPU2 And I/O	YLAA0058 - YLAA0175	ALL	031-02550-001	*
14	Flash Card, Programmed	YLAA0058 - YLAA0175	ALL	031-02755-004	*
15	Carling Switch	YLAA0058 - YLAA0175	ALL	024-25517-000	*
16	Keypad, Non-Embossed, English	YLAA0058 - YLAA0175	ALL	024-36082-007	*
17	Display To IPU I/O Cable	YLAA0058 - YLAA0175	ALL	031-02108-000	*
18	2X20 Display	YLAA0058 - YLAA0175	ALL	031-02749-000	*

NOTE:

* Items are NOT represented.

** Make a visual inspection of the fuses and contactors in order to select the correct replacement part, refer to Table 64 on page 116.

**TABLE 56 - SINGLE POINT TERMINAL BLOCK STANDARD OR ULTRA QUIET FANS (PIN 52 = X OR L) (SX)
 (CONT'D)**

ITEM	DESCRIPTION	MODEL	VOLTAGE (PIN 11 & 12)	PART NUMBER	FIGURE
19	Relay, Control, 600V, 10A	YLAA0058 - YLAA0175	ALL	024-37045-000	34
21	Contacto-Relay Coil Suppressor	YLAA0058 - YLAA0175	ALL	031-02107-000	*
22	Terminal Strip, 10-Pole	YLAA0058 - YLAA0175	ALL	025-35641-000	34
	Terminal Strip, 12-Pole	YLAA0058 - YLAA0175	ALL	025-39812-000	

NOTE:

* Items are NOT represented.

** Make a visual inspection of the fuses and contactors in order to select the correct replacement part, refer to Table 64 on page 116.

TABLE 57 - SINGLE POINT TERMINAL BLOCK HIGH AIR FLOW FANS (PIN 52 = G) (SX)

ITEM	DESCRIPTION	MODEL	VOLTAGE (PIN 11 & 12)	PART NUMBER	FIGURE
1	Fuse, 600V, Class CC, 20A	YLAA0058 - YLAA0081	40, 46	025-34142-000*	34
	Fuse, 600V, Class CC, 12A	YLAA0100, YLAA0115, YLAA0120, YLAA0142, YLAA0170, YLAA0175	40	025-38396-000* 025-34140-000*	
	Fuse, 600V, Class CC, 10A	YLAA0100, YLAA0146, YLAA0170, YLAA0175	46	025-37618-000* 025-34139-000*	
	Fuse, 600V, Class CC, 12A	YLAA0115, YLAA0120	40, 46	025-38396-000* 025-34140-000*	
	Fuse, 600V, Class CC, 20A	YLAA0115, YLAA0120	46	025-34142-000*	
	Fuse, 600V, Class CC, 15A	YLAA0125, YLAA0156	46	025-34141-000*	
	Fuse, 600V, Class CC, 20A	YLAA0136	46	025-34142-000*	
	Fuse, 600V, Class CC, 15A	YLAA0100, YLAA0142, YLAA0170, YLAA0175	46	025-34141-000*	
1A	Fuse Holder, 3-Pole, 30A, Class CC	YLAA0100 - YLAA0175	40, 46	025-45048-003*	
2	115V Control Harness	YLAA0058 - YLAA0175		-	*
	Connector - Housing			025-20788-000	
	Connector, Plug			025-20918-000	
	Split Pin Connector			025-22214-000	
	Socket Connector, Female			025-22215-000	
	Connector Contact			025-28386-000	
	Housing, Cap			025-32962-000	
3	Clip-On RC Circ.110-240V, D09-D38 & Cad	YLAA0058 - YLAA0175	40, 46	031-02106-000	*
4	Contactora, 3-Pole, 12A, 600V	YLAA0058 - YLAA0101	40, 46	024-34300-000*	34
	Contactora, 3-Pole, 12A, 600V	YLAA0115 - YLAA0175	46	024-34300-000*	
	Contactora, 3-Pole, 12A, 600V	YLAA0136, YLAA0142	40	024-34300-000*	
5	Contactora, 3-Pole, 80A, 600V	YLAA0058 - YLAA0081	17, 28	024-34310-000*	34
	Contactora, 3-Pole, 50A, 600V	YLAA0058 - YLAA0070	40, 46	024-37040-000*	
	Contactora, 3-Pole, 65A, 600V	YLAA0080, YLAA0081, YLAA0136, YLAA0142	40	024-37041-000*	
	Contactora, 3-Pole, 50A, 600V	YLAA0080, YLAA0081,	40, 46	024-37040-000*	
	Contactora, 3-Pole, 115A, 600V 110V Coil	YLAA0100, YLAA0101	40	029-23472-000* 024-37042-000*	
	Contactora, 3-Pole, 80A, 600V	YLAA0100, YLAA0101, YLAA0115 - YLAA0175	46	024-34310-000*	
	Contactora, 3-Pole, 50A, 600V	YLAA0100, YLAA0101, YLAA0136, YLAA0142	46, 58	024-37040-000*	
	Contactora, 3-Pole, 115A, 600V 110V Coil	YLAA0115 - YLAA0175	40	029-23472-000*	
6	Cover, Distribution Block	YLAA0058 - YLAA0101	40, 46	025-38395-000	34
		YLAA0115 - YLAA0136	40	025-39397-000	
		YLAA0115 - YLAA0136	46	025-38395-000	
		YLAA0142 - YLAA0175	40, 46	025-39397-000	

NOTE:

* Items are NOT represented.

** Make a visual inspection of the fuses and contactors in order to select the correct replacement part, refer to Table 64 on page 116.

TABLE 57 - SINGLE POINT TERMINAL BLOCK HIGH AIR FLOW FANS (PIN 52 = G) (SX) (CONT'D)

ITEM	DESCRIPTION	MODEL	VOLTAGE (PIN 11 & 12)	PART NUMBER	FIGURE
7	Ground Lug, Copper	YLAA0058, YLAA0080, YLAA0081	40	025-34455-000 025-29194-000	34
		YLAA0058, YLAA0080, YLAA0081, YLAA0100	46	025-34088-000	
		YLAA0065	40, 46	025-34455-000 025-29194-000	
		YLAA0070, YLAA0100	40	025-34088-000	
		YLAA0070	46	025-34455-000 025-29194-000	
		YLAA0101, YLAA0115 - YLAA0125, YLAA0150 - YLAA0175	40, 46	025-34088-000	
		YLAA0136, YLAA142	40, 46	025-34455-000 025-29194-000	
7A	Ground Lug, Copper	YLAA0136, YLAA0142	40, 46	025-34088-000	34
8	Ground Lug, Copper	YLAA0058, YLAA0150 - YLAA156	40, 46	025-34085-000	34
		YLAA0065	40, 46	025-34089-000	
		YLAA0070, YLAA0080, YLAA0081	40	025-34085-000	
			46	025-34089-000	
		YLAA0100, YLAA0101, YLAA0136, YLAA0170, YLAA0175	40	025-34086-000	
			46	025-34085-000	
		YLAA0115 - YLAA0125	40	025-34089-000	
	46	025-34085-000			
YLAA0142	40, 46	025-34086-000			
9	Distribution Block,3P,AI-380A, UL/CSA/ CE	YLAA0058 - YLAA0101	40, 46	025-40848-000	34
	Distribution Block, 3P, AI-760A, UL/CSA	YLAA0115, YLAA0120, YLAA0125, YLAA136	40	025-32536-000	
	Distribution Block,3P,AI-380A, UL/CSA/ CE		46	025-40848-000	
	Distribution Block, 3P, AI-760A, UL/CSA	YLAA0142 - YLAA0175	40, 46	025-32536-000	
10	Surge Suppressor	YLAA0100 - YLAA0175	40, 46	031-00808-000	34

NOTE:

* Items are NOT represented.

** Make a visual inspection of the fuses and contactors in order to select the correct replacement part, refer to Table 64 on page 116.

TABLE 57 - SINGLE POINT TERMINAL BLOCK HIGH AIR FLOW FANS (PIN 52 = G) (SX) (CONT'D)

ITEM	DESCRIPTION	MODEL	VOLTAGE (PIN 11 & 12)	PART NUMBER	FIGURE
11	Micro Assy	YLAA0058 - YLAA0175	40, 46	-	*
	Fuse, 600V, Class CC, 10A			025-34430-000	
				025-35905-000	
	Fuse Holder, 1-Pole, 30A, Class CC			025-45048-001	
	PCB Connector, Female, 4-Position			025-35627-000	
	Terminal, Ground 22 - 10 Ga.			025-39407-000	
	Jumper, Plug-In (2-Position)			025-37678-000	
	PCB Connector, Female, 10-Position			025-29195-000	
	Connector - Housing			025-20788-000	
	Connector, Plug			025-20918-000	
	Split Pin Connector			025-22214-000	
	Socket Connector, Female			025-22215-000	
12	Harness - Micro ELV	YLAA0058 - YLAA0175	40, 46	-	*
	Mini Mate-N-Lok			025-28385-000	
	Plug Housing			025-18955-000	
	Plug Housing			025-21137-000	
	Push-On Conn/Fem Straight			025-23735-000	
				025-34058-000	
	Connector Contact			025-28386-000	
4 Circuit Dual Row	025-28959-000				
13	Assy IPU2 And I/O	YLAA0058 - YLAA0175	40, 46	031-02550-001	*
14	Flash Card, Programmed	YLAA0058 - YLAA0175	40, 46	031-02755-004	
15	Carling Switch	YLAA0058 - YLAA0175	40, 46	024-25517-000	*
16	Keypad, Non-Embossed, English	YLAA0058 - YLAA0175	40, 46	024-36082-007	*
17	Display To IPU I/O Cable	YLAA0058 - YLAA0175	40, 46	031-02108-000	*
18	2X20 Display	YLAA0058 - YLAA0175	40, 46	031-02749-000	*
19	Relay, Control, 600V, 10A	YLAA0058 - YLAA0175	40, 46	024-37045-000	34
21	Contact-Relay Coil Suppressor	YLAA0058 - YLAA0175	40, 46	031-02107-000	*
22	Terminal Strip, 10-Pole	YLAA0058 - YLAA0175	ALL	025-35641-000	34
	Terminal Strip, 12-Pole	YLAA0058 - YLAA0175	ALL	025-39812-000	

NOTE:

* Items are NOT represented.

** Make a visual inspection of the fuses and contactors in order to select the correct replacement part, refer to Table 64 on page 116.

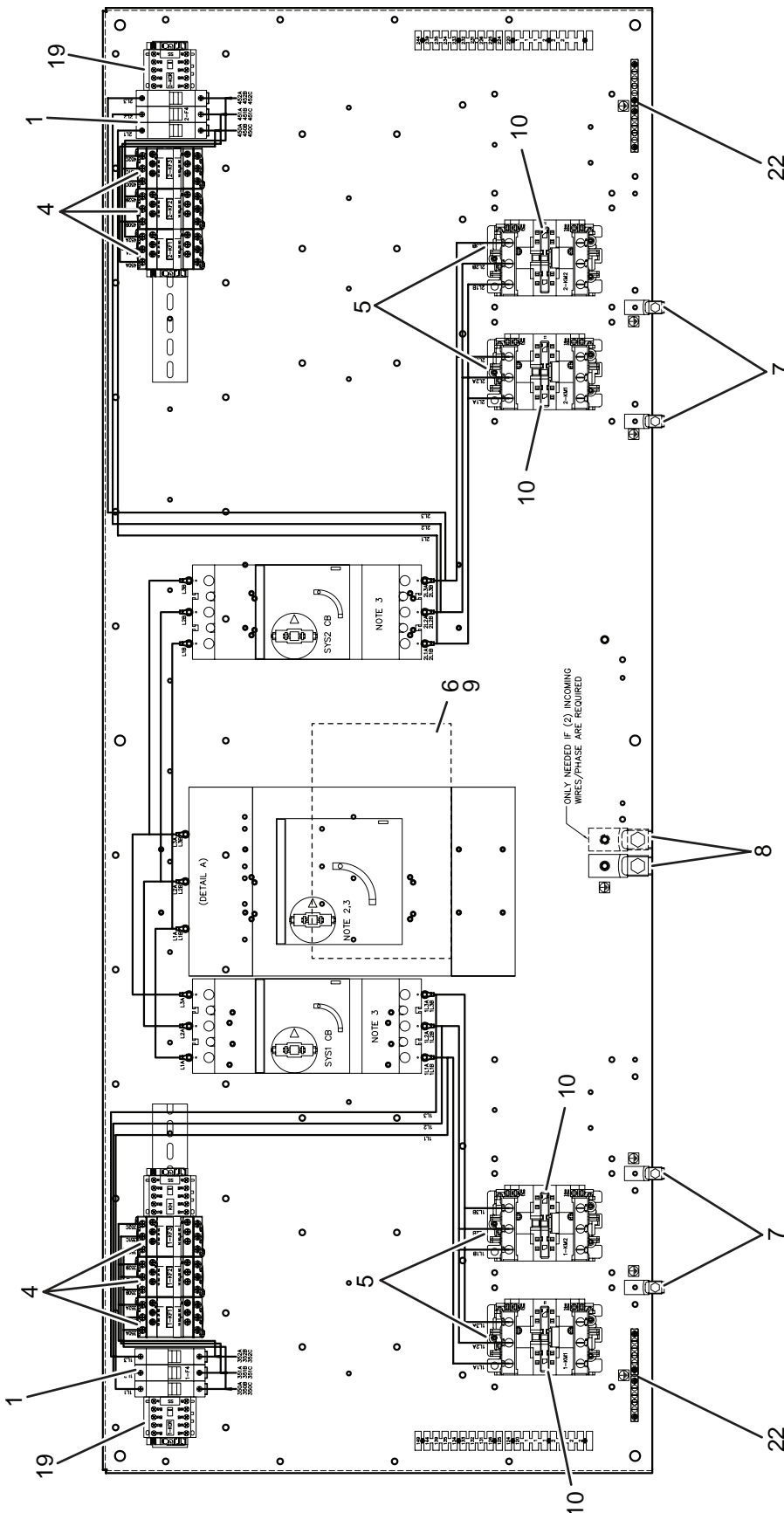


FIGURE 34 - SINGLE POINT TERMINAL BLOCK

LD18198

TABLE 58 - SINGLE POINT TERMINAL BLOCK STANDARD OR ULTRA QUIET FANS (PIN 52 = X OR L) (SD)

ITEM	DESCRIPTION	MODEL	VOLTAGE (PIN 11 & 12)	SAP NUMBER	FIGURE
1	Fuse, 600V, Class CC, 30A	YLAA0058 - YLAA0175	ALL	025-39683-000*	35
1A	Fuse Holder, 3-Pole, 30A, Class CC	YLAA0058 - YLAA0175	ALL	025-45048-003	
2	115V Control Harness	YLAA0058 - YLAA0175	ALL	-	*
	Connector - Housing			025-20788-000	
	Connector, Plug			025-20918-000	
	Split Pin Connector			025-22214-000	
	Socket Connector, Female			025-22215-000	
	Connector Contact			025-28386-000	
	Housing, Cap			025-32962-000	
3	Clip-On RC Circ.110-240V, D09-D38 & CAD	YLAA0058 - YLAA0175	ALL	031-02106-000	*
4	Contact, 3-Pole, 12A, 600V	YLAA0058, YLAA0065,	17, 28	024-34300-000*	35
	Contact, 3-Pole, 9A, 600V	YLAA0092	40, 46, 58	024-34302-000*	
	Contact, 3-Pole, 12A, 600V	YLAA0070, YLAA0080,	17, 28, 40	024-34300-000*	
	Contact, 3-Pole, 9A, 600V	YLAA0081, YLAA0089	46, 58	024-34302-000*	
	Contact, 3-Pole, 18A, 600V	YLAA0100, YLAA0101	17, 28, 40	024-34304-000*	
	Contact, 3-Pole, 12A, 600V	YLAA0100 - YLAA0125	17, 28	024-34300-000*	
	Contact, 3-Pole, 9A, 600V		46, 58	024-34302-000*	
	Contact, 3-Pole, 18A, 600V	YLAA0115 - YLAA0125	17, 28	024-34304-000*	
	Contact, 3-Pole, 12A, 600V		40	024-34300-000*	
	Contact, 3-Pole, 12A, 600V	YLAA0136, YLAA0142	17, 28	024-34300-000*	
	Contact, 3-Pole, 18A, 600V		40	024-34304-000*	
	Contact, 3-Pole, 12A, 600V		46, 58	024-34300-000*	
	Contact, 3-Pole, 12A, 600V	YLAA0150 - YLAA0175	17, 28	024-34300-000*	
	Contact, 3-Pole, 18A, 600V		46, 58	024-34304-000*	
5	Contact, 3-Pole, 80A, 600V	YLAA0058 - YLAA0081	17, 28	024-34310-000*	35
	Contact, 3-Pole, 50A, 600V		40, 46, 58	024-37040-000*	
	Contact, 3-Pole, 80A, 600V		17, 28	024-34310-000*	
	Contact, 3-Pole, 50A, 600V	YLAA0089, YLAA0092	40, 46	024-37040-000*	
	Contact, 3-Pole, 40A, 600V		58	024-37039-000*	
	Contact, 3-Pole, 80A, 600V		17, 28	024-34310-000*	
	Contact, 3-Pole, 65A, 600V	YLAA0100, YLAA0101	40	024-37041-000*	
	Contact, 3-Pole, 80A, 600V		46, 58	024-34310-000*	
	Contact, 3-Pole, 150A, 600V	YLAA0100, YLAA0101	17, 28	024-34294-000*	
	Contact, 3-Pole, 50A, 600V		46, 58	024-37040-000*	
	Contact, 3-Pole, 115A, 600V 110V Coil	YLAA0100 - YLAA0125	40	029-23472-000* 024-37042-000*	
	Contact, 3-Pole, 150A, 600V	YLAA0115 - YLAA0125	17, 28	024-34294-000*	
	Contact, 3-Pole, 80A, 600V		46, 58	024-34310-000*	
	Contact, 3-Pole, 150A, 600V	YLAA0136, YLAA0142	17, 28	024-34294-000*	
	Contact, 3-Pole, 65A, 600V		40	024-37041-000*	
	Contact, 3-Pole, 80A, 600V		46, 58	024-34310-000*	
Contact, 32A, 110VAC Coil	YLAA0150 - YLAA0156	17, 28	024-34306-000*		

NOTE:

* Items are NOT represented.

** Make a visual inspection of the fuses and contactors in order to select the correct replacement part, refer to Table 64 on page 116.

**TABLE 58 - SINGLE POINT TERMINAL BLOCK STANDARD OR ULTRA QUIET FANS (PIN 52 = X OR L) (SD)
 (CONT'D)**

ITEM	DESCRIPTION	MODEL	VOLTAGE (PIN 11 & 12)	SAP NUMBER	FIGURE
5	Contactora, 3-Pole, 150A, 600V	YLAA0150 - YLAA0175	17, 28	024-34294-000*	35
	Contactora, 3-Pole, 115A, 600V 110V Coil		40	029-23472-000* 024-37042-000*	
	Contactora, 3-Pole, 80A, 600V		46, 58	024-34310-000*	
6	Molded Case Switch, T6	YLAA0058	17, 28	024-37499-000	35
	Molded Case Switch, T4		40, 46, 58	024-35975-000 024-37497-000	
	Molded Case Switch, T6	YLAA0065, YLAA0070, YLAA0080, YLAA0081	17, 28	024-37499-000	
	Molded Case Switch, T5		40	024-37498-000	
	Molded Case Switch, T4, 250A		46, 58	024-35975-000 024-37497-000	
	Molded Case Switch, T6	YLAA0089 - YLAA0101	17, 28	024-37499-000	
	Molded Case Switch, T5		40, 46	024-37498-000	
	Molded Case Switch, T4, 250A		58	024-35975-000 024-37497-000	
	Molded Case Switch, T6	YLAA0115 - YLAA0142	17, 28, 40	024-37499-000	
	Molded Case Switch, T5		46, 58	024-37498-000	
	Molded Case Switch, T6	YLAA0150 - YLAA0156	17, 28, 40, 46	024-37499-000	
	Molded Case Switch, T5		58	024-37498-000	
	Molded Case Switch, T7	YLAA0170, YLAA0175	17, 28	024-37005-000 024-37500-000	
	Molded Case Switch, T6		40, 46	024-37499-000	
	Molded Case Switch, T5		58	024-37498-000	
7	Ground Lug, Copper	YLAA0058, YLAA0092	17, 28	025-34088-000	35
			40, 46, 58	025-34455-000 025-29194-000	
		YLAA0065	17, 28, 46	025-34088-000	
			40, 58	025-34455-000 025-29194-000	
		YLAA0070	17, 28, 46, 58	025-34088-000	
			40	025-34455-000 025-29194-000	
		YLAA0080, YLAA0081, YLAA0100, YLAA0101, YLAA136, YLAA0142	ALL	025-34088-000	
		YLAA0089	17, 28, 40, 58	025-34455-000 025-29194-000	
			46	025-34088-000	
		YLAA0115, YLAA0120, YLAA0125, YLAA0150 - YLAA0175	17, 28	025-34089-000	
40, 46, 58	025-34088-000				

NOTE:

* Items are NOT represented.

** Make a visual inspection of the fuses and contactors in order to select the correct replacement part, refer to Table 64 on page 116.

**TABLE 58 - SINGLE POINT TERMINAL BLOCK STANDARD OR ULTRA QUIET FANS (PIN 52 = X OR L) (SD)
(CONT'D)**

ITEM	DESCRIPTION	MODEL	VOLTAGE (PIN 11 & 12)	SAP NUMBER	FIGURE
7A	Grndlug Cu-6-1/0	YLAA0100, YLAA0101, YLAA0136, YLAA0142	17, 28	025-34089-000	35
8	4-3/0 Awg Gnd Lug	YLAA0058, YLAA0065, YLAA0100, YLAA0101, YLAA0170, YLAA0175	17, 28	025-34085-000	35
		YLAA0070	40, 46, 58	025-34089-000	
		YLAA0080, YLAA0081	ALL	025-34089-000	
		YLAA0089	17	025-34085-000	
			28, 40, 46, 58	025-34089-000	
			17, 28, 40	025-34085-000	
		YLAA0092	46	025-34089-000	
			58	025-34088-000	
			17, 28, 40, 46	025-34085-000	
		YLAA0115, YLAA0120, YLAA0125	58	025-34088-000	
			17, 28, 40, 46	025-34085-000	
		YLAA0136, YLAA0142	58	025-34089-000	
			17, 28	025-34086-000	
			40	025-34089-000	
46	025-34086-000				
YLAA0150 - YLAA0156	58	025-34085-000			
	17, 28, 46	025-34085-000			
	40, 58	025-34089-000			
9	Surge Suppressor	YLAA0058 - YLAA0175	ALL	031-00808-000	35
10	Micro Assy	YLAA0058 - YLAA0175	ALL	-	*
	Fuse, 600V, Class CC, 10A			025-34430-000/ 025-35905-000	
	Fuse Holder, 1-Pole, 30A, Class CC			025-45048-001	
	PCB Connector, Female, 4-Position			025-35627-000	
	Terminal, Ground 22 - 10 Ga.			025-39407-000	
	Jumper, Plug-In (2-Position)			025-37678-000	
	PCB Connector, Female, 10-Position			025-29195-000	
	Connector - Housing			025-20788-000	
	Connector, Plug			025-20918-000	
	Split Pin Connector			025-22214-000	
	Socket Connector, Female			025-22215-000	
11	Harness - Micro Elv	YLAA0058 - YLAA0175	ALL	-	*
	Mini Mate-N-Lok			025-28385-000	
	Plug Housing			025-18955-000	
	Plug Housing			025-21137-000	
	Push-On Conn/Fem Straight			025-23735-000/ 025-34058-000	
	Connector Contact			025-28386-000	
	4 Circuit Dual Row	025-28959-000			

NOTE:

* Items are NOT represented.

** Make a visual inspection of the fuses and contactors in order to select the correct replacement part, refer to Table 64 on page 116.

**TABLE 58 - SINGLE POINT TERMINAL BLOCK STANDARD OR ULTRA QUIET FANS (PIN 52 = X OR L) (SD)
 (CONT'D)**

ITEM	DESCRIPTION	MODEL	VOLTAGE (PIN 11 & 12)	SAP NUMBER	FIGURE
12	Assy IPU2 And I/O	YLAA0058 - YLAA0175	ALL	031-02550-001	*
13	Flash Card, Programmed	YLAA0058 - YLAA0175	ALL	031-02755-004	*
14	Carling Switch	YLAA0058 - YLAA0175	ALL	024-25517-000	*
15	Keypad, Non-Embossed, English	YLAA0058 - YLAA0175	ALL	024-36082-007	*
16	Display To Ipu I/O Cable	YLAA0058 - YLAA0175	ALL	031-02108-000	*
17	2X20 Display	YLAA0058 - YLAA0175	ALL	031-02749-000	*
18	Relay, Control, 600V, 10A	YLAA0058 - YLAA0175	ALL	024-37045-000	35
20	Contacto-Relay Coil Suppressor	YLAA0058 - YLAA0175	ALL	031-02107-000	*
22	Terminal Strip, 10-Pole	YLAA0058 - YLAA0175	ALL	025-35641-000	35
	Terminal Strip, 12-Pole	YLAA0058 - YLAA0175	ALL	025-39812-000	

NOTE:

* Items are NOT represented.

** Make a visual inspection of the fuses and contactors in order to select the correct replacement part, refer to Table 64 on page 116.

TABLE 59 - SINGLE POINT TERMINAL BLOCK HIGH AIR FLOW FANS (PIN 52 = G) (SD)

ITEM	DESCRIPTION	MODEL	VOLTAGE (PIN 11 & 12)	PART NUMBER	FIGURE
1	Fuse, 600V, Class CC, 20A	YLAA0058 - YLAA0081, YLAA0136, YLAA0150, YLAA0155	40, 46	025-34142-000*	35
	Fuse, 600V, Class CC, 12A	YLAA0058 - YLAA0175	46	025-38396-000* 025-34140-000*	
	Fuse, 600V, Class CC, 12A	YLAA0092	40, 46	025-38396-000* 025-34140-000*	
	Fuse, 600V, Class CC, 20A	YLAA0101	46	025-34142-000*	
	Fuse, 600V, Class CC, 12A	YLAA0115, YLAA0120	40	025-38396-000* 025-34140-000*	
	Fuse, 600V, Class CC, 20A		46	025-34142-000*	
	Fuse, 600V, Class CC, 17-1/2A	YLAA0125	40	025-34142-000*	
	Fuse, 600V, Class CC, 15A		46	025-34141-000*	
	Fuse, 600V, Class CC, 12A	YLAA0142	40	025-38396-000* 025-34140-000*	
	Fuse, 600V, Class CC, 15A		46	025-34141-000*	
	Fuse, 600V, Class CC, 10A	YLAA0142	46	025-37618-000* 025-34139-000*	
	Fuse, 600V, Class CC, 15A	YLAA0156	46	025-34141-000*	
	Fuse, 600V, Class CC, 10A	YLAA0170, YLAA0175	46	025-37618-000*	
1A	Fuse Holder, 3-Pole, 30A, Class CC	YLAA0058 - YLAA0175	40, 46	025-45048-003	
2	115V Control Harness	YLAA0058 - YLAA0175	40, 46	-	*
	Connector - Housing			025-20788-000	
	Connector, Plug			025-20918-000	
	Split Pin Connector			025-22214-000	
	Socket Connector, Female			025-22215-000	
	Connector Contact			025-28386-000	
	Housing, Cap			025-32962-000	
3	Clip-On RC Circ.110-240V, D09-D38 & Cad	YLAA0058 - YLAA0175	40, 46	031-02106-000	*
4	Contact, 3-Pole, 12A, 600V	YLAA0058 - YLAA0081	40, 46	024-34300-000*	35
	Contact, 3-Pole, 12A, 600V	YLAA0092 - YLAA0155	40	024-34300-000*	
	Contact, 3-Pole, 12A, 600V	YLAA0092, YLAA0101, YLAA0136, YLAA0142	40	024-34300-000*	
	Contact, 3-Pole, 12A, 600V	YLAA0115, YLAA0120, YLAA0125, YLAA0150, YLAA0156	40	024-34300-000*	

NOTE:

* Items are NOT represented.

** Make a visual inspection of the fuses and contactors in order to select the correct replacement part, refer to Table 64 on page 116.

TABLE 59 - SINGLE POINT TERMINAL BLOCK HIGH AIR FLOW FANS (PIN 52 = G) (SD) (CONT'D)

ITEM	DESCRIPTION	MODEL	VOLTAGE (PIN 11 & 12)	PART NUMBER	FIGURE
5	Contactora, 3-Pole, 50A, 600V	YLAA0058, YLAA0065	40, 46	024-37040-000*	35
	Contactora, 3-Pole, 50A, 600V	YLAA0070	46	024-37040-000*	
	Contactora, 3-Pole, 65A, 600V	YLAA0080, YLAA0081	40, 46	024-37041-000*	
	Contactora, 3-Pole, 65A, 600V	YLAA0092, YLAA0101	40	024-37041-000*	
	Contactora, 3-Pole, 80A, 600V		46	024-34310-000*	
	Contactora, 3-Pole, 80A, 600V	YLAA0115, YLAA0120, YLAA0125, YLAA0150, YLAA0156	46	024-34310-000*	
	Contactora, 3-Pole, 65A, 600V	YLAA0136, YLAA0142	40	024-37041-000*	
	Contactora, 3-Pole, 80A, 600V		46	024-34310-000*	
	Contactora, 3-Pole, 80A, 600V	YLAA0156 - YLAA0175	46	024-34310-000*	
6	Molded Case Switch, T4, 250A	YLAA0058	40, 46	024-35975-000 024-37497-000	35
	Molded Case Switch, T5	YLAA0065	40	024-37498-000	
	Molded Case Switch, T4, 250A		46	024-35975-000 024-37497-000	
	Molded Case Switch, T4, 250A	YLAA0070, YLAA0080, YLAA0081	46	024-35975-000 024-37497-000	
	Molded Case Switch, T5	YLAA0080, YLAA0081	40	024-37498-000	
	Molded Case Switch, T5	YLAA0092 - YLAA120	40, 46	024-37498-000	
	Molded Case Switch, T6	YLAA0125, YLAA0136, YLAA0142	40	024-37499-000	
	Molded Case Switch, T5		46	024-37498-000	
	Molded Case Switch, T6	YLAA0150, YLAA0155	40, 46	024-37499-000	
	Molded Case Switch, T6	YLAA0156 - YLAA0175	46	024-37499-000	
7	Ground Lug, Copper	YLAA0058, YLAA0080, YLAA0081	40	025-34455-000 025-29194-000	35
			46	025-34088-000	
		YLAA0065	40, 46	025-34455-000 025-29194-000	
		YLAA0070, YLAA0136, YLAA0142, YLAA0150, YLAA0155	46	025-34455-000 025-29194-000	
		YLAA0092, YLAA0101, YLAA0115 - YLAA0125	40, 46	025-34088-000	
		YLAA0150, YLAA0155	40	025-34088-000	
YLAA0156 - YLAA0175	46	025-34088-000			

NOTE:

* Items are NOT represented.

** Make a visual inspection of the fuses and contactors in order to select the correct replacement part, refer to Table 64 on page 116.

TABLE 59 - SINGLE POINT TERMINAL BLOCK HIGH AIR FLOW FANS (PIN 52 = G) (SD) (CONT'D)

ITEM	DESCRIPTION	MODEL	VOLTAGE (PIN 11 & 12)	PART NUMBER	FIGURE
8	4-3/0 Awg Gnd Lug	YLAA0058, YLAA0092, YLAA0101, YLAA0125, YLAA0150, YLAA0155	40, 46	025-34085-000	35
		YLAA0065	40, 46	025-34089-000	
		YLAA0070, YLAA0080, YLAA0081, YLAA136	46	025-34089-000	
		YLAA0080, YLAA0081	40	025-34085-000	
		YLAA0115, YLAA0120	40	025-34089-000	
			46	025-34085-000	
		YLAA0136	40	025-34086-000	
		YLAA0142	40, 46	025-34086-000	
YLAA0156 - YLAA0175	46	025-34085-000			
9	Surge Suppressor	YLAA0092 - YLAA0175	40, 46	031-00808-000	35
10	Micro Assy	YLAA0058 - YLAA0175	40, 46	-	*
	Fuse, 600V, Class CC, 10A			025-34430-000	
				025-35905-000	
	Fuse Holder, 1-Pole, 30A, Class CC			025-45048-001	
	PCB Connector, Female, 4-Position			025-35627-000	
	Terminal, Ground 22 - 10 Ga.			025-39407-000	
	Jumper, Plug-In (2-Position)			025-37678-000	
	PCB Connector, Female, 10-Position			025-29195-000	
	Connector - Housing			025-20788-000	
	Connector, Plug			025-20918-000	
	Split Pin Connector			025-22214-000	
	Socket Connector, Female	025-22215-000			
11	Harness - Micro ELV	YLAA0058 - YLAA0175	40, 46	-	*
	Mini Mate-N-Lok			025-28385-000	
	Plug Housing			025-18955-000	
	Plug Housing			025-21137-000	
	Push-On Conn/Fem Straight			025-23735-000	
				025-34058-000	
	Connector Contact			025-28386-000	
	4 Circuit Dual Row	025-28959-000			
12	Assy IPU2 And I/O	YLAA0058 - YLAA0175	40, 46	031-02550-001	*
13	Flash Card, Programmed	YLAA0058 - YLAA0175	40, 46	031-02755-004	*
14	Carling Switch	YLAA0058 - YLAA0175	40, 46	024-25517-000	*
15	Keypad, Non-Embossed, English	YLAA0058 - YLAA0175	40, 46	024-36082-007	*
16	Display To IPU I/O Cable	YLAA0058 - YLAA0175	40, 46	031-02108-000	*
17	2X20 Display	YLAA0058 - YLAA0175	40, 46	031-02749-000	*
18	Relay, Control, 600V, 10A	YLAA0058 - YLAA0175	40, 46	024-37045-000	35
20	Contacto-Relay Coil Suppressor	YLAA0058 - YLAA0175	40, 46	031-02107-000	*
22	Terminal Strip, 10-Pole	YLAA0058 - YLAA0175	ALL	025-35641-000	35
	Terminal Strip, 10-Pole	YLAA0058 - YLAA0175	ALL	025-39812-000	

NOTE:

* Items are NOT represented.

** Make a visual inspection of the fuses and contactors in order to select the correct replacement part, refer to Table 64 on page 116.

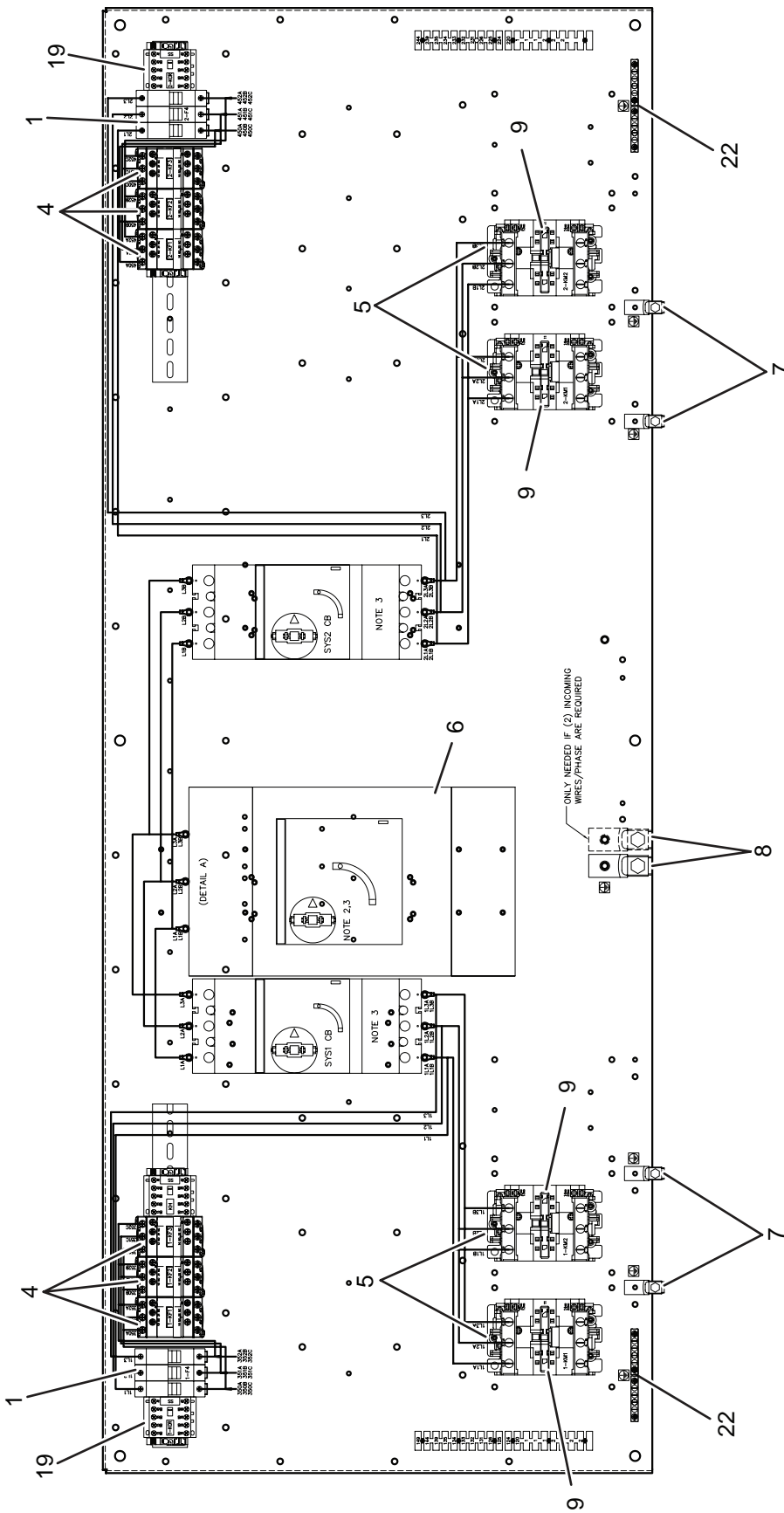


FIGURE 35 - SINGLE POINT TERMINAL BLOCK

LD18199

TABLE 60 - SINGLE POINT TERMINAL BLOCK STANDARD OR ULTRA QUIET FANS (PIN 52 = X OR L) (BX)

ITEM	DESCRIPTION	MODEL	VOLTAGE (PIN 11 & 12)	PART NUMBER	FIGURE
1	Fuse, 600V, Class CC, 30A	YLAA0058 - YLAA0175	ALL	025-39683-000*	36
1A	Fuse Holder, 3-Pole, 30A, Class CC	YLAA0058 - YLAA0175	ALL	025-45048-003	
2	115V Control Harness	YLAA0058 - YLAA0175	ALL	-	*
	Connector - Housing			025-20788-000	
	Connector, Plug			025-20918-000	
	Split Pin Connector			025-22214-000	
	Socket Connector, Female			025-22215-000	
	Connector Contact			025-28386-000	
	Housing, Cap			025-32962-000	
3	Clip-On RC Circ.110-240V, D09-D38 & Cad	YLAA0058 - YLAA0175	ALL	031-02106-000	*
4	Contact, 3-Pole, 12A, 600V	YLAA0058, YLAA0065, YLAA0092	17, 28	024-34300-000*	36
	Contact, 3-Pole, 9A, 600V		40, 46, 58	024-34302-000*	
	Contact, 3-Pole, 12A, 600V	YLAA0070, YLAA0080, YLAA0081, YLAA0089	17, 28, 40	024-34300-000*	
	Contact, 3-Pole, 9A, 600V		46, 58	024-34302-000*	
	Contact, 3-Pole, 18A, 600V	YLAA0100, YLAA0101	17, 28, 40	024-34304-000*	
	Contact, 3-Pole, 12A, 600V		46, 58	024-34300-000*	
	Contact, 3-Pole, 12A, 600V	YLAA0115 - YLAA0125	17, 28, 40	024-34300-000*	
	Contact, 3-Pole, 9A, 600V		46, 58	024-34302-000*	
	Contact, 3-Pole, 12A, 600V	YLAA0136, YLAA0142	17, 28, 40	024-34300-000*	
	Contact, 3-Pole, 12A, 600V		46, 58	024-34300-000*	
	Contact, 3-Pole, 18A, 600V	YLAA0115, YLAA0120, YLAA0125	17, 28	024-34304-000*	
	Contact, 3-Pole, 18A, 600V	YLAA0136, YLAA0142	17, 28	024-34304-000*	
	Contact, 3-Pole, 18A, 600V		40	024-34304-000*	
	Contact, 3-Pole, 18A, 600V	YLAA0150, YLAA0155	46, 58	024-34304-000*	
	Contact, 3-Pole, 18A, 600V	YLAA0150 - YLAA0175	17, 28	024-34304-000*	
	Contact, 3-Pole, 12A, 600V		40	024-34300-000*	
5	Contact, 3-Pole, 80A, 600V	YLAA0058, YLAA0065, YLAA0070	17, 28	024-34310-000*	36
	Contact, 3-Pole, 50A, 600V		40, 46, 58	024-37040-000*	
	Contact, 3-Pole, 80A, 600V		17, 28	024-34310-000*	
	Contact, 3-Pole, 65A, 600V	YLAA0080, YLAA0081	40	024-37041-000*	
	Contact, 3-Pole, 50A, 600V		46, 58	024-37040-000*	
	Contact, 3-Pole, 80A, 600V		17, 28	024-34310-000*	
	Contact, 3-Pole, 50A, 600V	YLAA0089, YLAA0092	40, 46	024-37040-000*	
	Contact, 3-Pole, 40A, 600V		58	024-37039-000*	
	Contact, 3-Pole, 150A, 600V		17, 28	024-34294-000*	
	Contact, 3-Pole, 50A, 600V	YLAA0100, YLAA0101	40	024-37040-000*	
	Contact, 3-Pole, 80A, 600V		46, 58	024-34310-000*	
	Contact, 3-Pole, 150A, 600V	YLAA0115, YLAA0120	17, 28	024-34294-000*	
	Contact, 3-Pole, 50A, 600V		58	024-37040-000*	

NOTE:

* Items are NOT represented.

** Make a visual inspection of the fuses and contactors in order to select the correct replacement part, refer to Table 64 on page 116.

**TABLE 60 - SINGLE POINT TERMINAL BLOCK STANDARD OR ULTRA QUIET FANS (PIN 52 = X OR L) (BX)
 (CONT'D)**

ITEM	DESCRIPTION	MODEL	VOLTAGE (PIN 11 & 12)	PART NUMBER	FIGURE
5	Contactors, 3-Pole, 115A, 600V 110V Coil	YLAA0115 - YLAA0125	40	029-23472-000* 024-37042-000*	36
	Contactors, 3-Pole, 150A, 600V	YLAA0136, YLAA0142	17, 28	024-34294-000*	
	Contactors, 3-Pole, 65A, 600V		40	024-37041-000*	
	Contactors, 3-Pole, 80A, 600V		46, 58	024-34310-000*	
	Contactors, 3-Pole, 150A, 600V		17, 28	024-34294-000*	
	Contactors, 3-Pole, 50A, 600V	YLAA0150, YLAA0155	46, 58	024-37040-000*	
	Contactors, 3-Pole, 150A, 600V	YLAA0170, YLAA0175	17, 28	024-34294-000*	
	Contactors, 3-Pole, 115A, 600V 110V Coil	YLAA0150 - YLAA0175	40	029-23472-000* 024-37042-000*	
	Contactors, 3-Pole, 80A, 600V	YLAA0150 - YLAA0175	46, 58	024-34310-000*	
6	Circuit Breaker, 600V, 400A	YLAA0058, YLAA0065	17, 28	024-37079-000	36
	Circuit Breaker, 600V, 250A		40, 46, 58	024-35974-000	
	Circuit Breaker, 600V, 400A	YLAA0070	17, 28	024-37079-000	
	Circuit Breaker, 600V, 250A		40, 46, 58	024-35974-000	
	Circuit Breaker, 600V, 400A	YLAA0080, YLAA0081	17, 28, 40	024-35976-000	
	Circuit Breaker, 600V, 250A		46, 58	024-35974-000	
	Circuit Breaker, 600V, 600A	YLAA0089	17, 28	024-37004-000	
	Circuit Breaker, 600V, 400A		40	024-35976-000	
	Circuit Breaker, 600V, 250A		46, 58	024-35974-000	
	Circuit Breaker, 600V, 600A	YLAA0092	17, 28	024-37006-000	
	Circuit Breaker, 600V, 400A		40	024-35976-000	
	Circuit Breaker, 600V, 250A		46, 58	024-35974-000	
	Circuit Breaker, 600V, 600A	YLAA0100, YLAA0101	17, 28	024-37006-000	
	Circuit Breaker, 600V, 400A		40	024-37079-000	
	Circuit Breaker, 600V, 400A		46	024-35976-000	
	Circuit Breaker, 600V, 250A		58	024-35974-000	
	Circuit Breaker, 600V, 800A	YLAA0115, YLAA0120, YLAA0125	17, 28	024-37003-000	
	Circuit Breaker, 600V, 400A		40, 46	024-37079-000	
	Circuit Breaker, 600V, 400A		58	024-35976-000	
	Circuit Breaker, 600V, 800A	YLAA0136, YLAA0142	17, 28	024-37007-000	
	Circuit Breaker, 600V, 600A		40	024-37004-000	
	Circuit Breaker, 600V, 400A		46	024-37079-000	
	Circuit Breaker, 600V, 400A		58	024-35976-000	
	Circuit Breaker, 600V, 800A	YLAA0150, YLAA0155, YLAA0156	17, 28	024-37007-000	
	Circuit Breaker, 600V, 600A		40	024-37006-000	
	Circuit Breaker, 600V, 600A		46	024-37004-000	
	Circuit Breaker, 600V, 400A		58	024-35976-000	
	Circuit Breaker, 600V, 1000A	YLAA0170, YLAA0175	17, 28	024-37054-000	
	Circuit Breaker, 600V, 600A		40	024-37006-000	
	Circuit Breaker, 600V, 600A		46	024-37004-000	
Circuit Breaker, 600V, 400A	58		024-37079-000		

NOTE:

* Items are NOT represented.

** Make a visual inspection of the fuses and contactors in order to select the correct replacement part, refer to Table 64 on page 116.

**TABLE 60 - SINGLE POINT TERMINAL BLOCK STANDARD OR ULTRA QUIET FANS (PIN 52 = X OR L) (BX)
(CONT'D)**

ITEM	DESCRIPTION	MODEL	VOLTAGE (PIN 11 & 12)	PART NUMBER	FIGURE
6A	Handle Kit, T4-T5 CB	YLAA0058 - YLAA0175	ALL	029-23477-000	36
	Operator Mechanism, Circuit Break, T4-T5			024-37558-000	
	Shaft, Operator, 19.7"/500mm			025-35696-000	
	Handle, Pistol, Ip65, S(T)4-5			029-23476-000	
7	Ground Lug, Copper	YLAA0058, YLAA0080, YLAA0081, YLAA0092	17, 28	025-34088-000	36
			40, 46, 58	025-34455-000	
				025-29194-000	
		YLAA0065	17, 28, 46	025-34088-000	
			40, 58	025-34455-000 025-29194-000	
		YLAA0070	17, 28, 58	025-34088-000	
			40, 46	025-34455-000 025-29194-000	
		YLAA0089	17, 28, 40, 58	025-34455-000 025-29194-000	
			46	025-34088-000	
		YLAA0100, YLAA0101	17, 28,40, 46	025-34088-000	
			58	025-34455-000 025-29194-000	
		YLAA0115 - YLAA0125, YLAA0150, YLAA0155	17, 28	025-34089-000	
40, 46, 58	025-34088-000				
YLAA0136, YLAA0142	ALL	025-34088-000			
8	Ground Lug	YLAA0058, YLAA0065	17, 28	025-34085-000	36
			40, 46, 58	025-34089-000	
		YLAA0070	ALL	025-34089-000	
		YLAA0080, YLAA0081	17, 28, 46, 58	025-34089-000	
			40	025-34085-000	
		YLAA0089	17, 28, 40	025-34085-000	
			46	025-34089-000	
			58	025-34088-000	
		YLAA0092	17, 28, 40, 46	025-34085-000	
			58	025-34088-000	
		YLAA0100, YLAA0101	17, 28, 46, 58	025-34089-000	
			40	025-34085-000	
		YLAA0115 - YLAA0125	17, 28, 40, 46	025-34085-000	
			58	025-34089-000	
		YLAA0136, YLAA0142	17, 28, 40	025-34089-000	
			46	025-34086-000	
			58	025-34085-000	
YLAA0150, YLAA0155	17, 28, 46	025-34085-000			
	40, 58	025-34089-000			

NOTE:

* Items are NOT represented.

** Make a visual inspection of the fuses and contactors in order to select the correct replacement part, refer to Table 64 on page 116.

**TABLE 60 - SINGLE POINT TERMINAL BLOCK STANDARD OR ULTRA QUIET FANS (PIN 52 = X OR L) (BX)
 (CONT'D)**

ITEM	DESCRIPTION	MODEL	VOLTAGE (PIN 11 & 12)	PART NUMBER	FIGURE
8	Ground Lug	YLAA0170, YLAA0175	17, 28, 58	025-34089-000	36
			40, 46	025-34088-000	
9	Ground Lug, Copper	YLAA0100, YLAA0101 YLAA0136, YLAA0142 YLAA0170, YLAA0175	17, 28	025-34085-000	36
			17, 28	025-34086-000	
			17, 28, 40, 46	025-34085-000	
			58	025-34089-000	
10	Surge Suppressor	YLAA0058 - YLAA0175	ALL	031-00808-000	36
11	Harness - Micro Logic	YLAA0058 - YLAA0175	ALL	-	*
	Fuse, 600V, Class CC, 10A			025-34430-000	
	Fuse Holder, 1-Pole, 30A, Class CC			025-35905-000	
	PCB Connector, Female, 4-Position			025-45048-001	
	Terminal, Ground 22 - 10 Ga.			025-35627-000	
	Jumper, Plug-In (2-Position)			025-39407-000	
	PCB Connector, Female, 10-Position			025-37678-000	
	Connector - Housing			025-29195-000	
	Connector, Plug			025-20788-000	
	Split Pin Connector			025-20918-000	
	Socket Connector, Female			025-22214-000	
		025-22215-000			
12	Harness - Micro ELV	YLAA0058 - YLAA0175	ALL	-	*
	Mini Mate-N-Lok			025-28385-000	
	Plug Housing			025-18955-000	
	Plug Housing			025-21137-000	
	Push-On Conn/Fem Straight			025-23735-000	
	Connector Contact			025-34058-000	
	4 Circuit Dual Row			025-28386-000	
		025-28959-000			
13	Assy IPU2 And I/O	YLAA0058 - YLAA0175	ALL	031-02550-001	*
14	Flash Card, Programmed	YLAA0058 - YLAA0175	ALL	031-02755-004	*
15	Carling Switch	YLAA0058 - YLAA0175	ALL	024-25517-000	*
16	Keypad, Non-Embossed, English	YLAA0058 - YLAA0175	ALL	024-36082-007	*
17	Display To IPU I/O Cable	YLAA0058 - YLAA0175	ALL	031-02108-000	*
18	2X20 Display	YLAA0058 - YLAA0175	ALL	031-02749-000	*
19	Relay, Control, 600V, 10A	YLAA0058 - YLAA0175	ALL	024-37045-000	36
20	Contact-Relay Coil Suppressor	YLAA0058 - YLAA0175	ALL	031-02107-000	*
22	Terminal Strip, 10-Pole	YLAA0058 - YLAA0175	ALL	025-35641-000	36
	Terminal Strip, 12-Pole	YLAA0058 - YLAA0175	ALL	025-39812-000	

NOTE:

* Items are NOT represented.

** Make a visual inspection of the fuses and contactors in order to select the correct replacement part, refer to Table 64 on page 116.

TABLE 61 - SINGLE POINT TERMINAL BLOCK HIGH AIR FLOW FANS (PIN 52 = G) (BX)

ITEM	DESCRIPTION	MODEL	VOLTAGE (PIN 11 & 12)	PART NUMBER	FIGURE
1	Fuse, 600V, Class CC, 20A	YLAA0058 - YLAA0089	40, 46	025-34142-000*	36
	Fuse, 600V, Class CC, 12A	YLAA0092	40, 46	025-38396-000* 025-34140-000*	
	FUSE, 600V, CLASS CC, 12A	YLAA0100	40	025-38396-000* 025-34140-000*	
	Fuse, 600V, Class CC, 15A		46	025-34141-000*	
	Fuse, 600V, Class CC, 12A	YLAA0115, YLAA0120	46	025-38396-000* 025-34140-000*	
	Fuse, 600V, Class CC, 20A	YLAA0125	40	025-34142-000*	
	Fuse, 600V, Class CC, 15A		46	025-34141-000*	
	Fuse, 600V, Class CC, 20A	YLAA0136, YLAA0150 - YLAA0156	40, 46	025-34142-000*	
	Fuse, 600V, Class CC, 17-1/2A	YLAA0136	40, 46	025-34142-000*	
	Fuse, 600V, Class CC, 12A	YLAA0142	40	025-38396-000* 025-34140-000*	
	Fuse, 600V, Class CC, 10A		46	025-37618-000* 025-34139-000*	
	Fuse, 600V, Class CC, 20A	YLAA0170, YLAA0175	40	025-34142-000*	
	Fuse, 600V, Class CC, 12A	YLAA0170, YLAA0175	40	025-38396-000* 025-34140-000*	
	1A	Fuse Holder, 3-Pole, 30A, Class CC	YLAA0058 - YLAA0175	40, 46	
2	115V Control Harness	YLAA0058 - YLAA0175	40, 46	-	*
	Connector - Housing			025-20788-000	
	Connector, Plug			025-20918-000	
	Split Pin Connector			025-22214-000	
	Socket Connector, Female			025-22215-000	
	Connector Contact			025-28386-000	
	Housing, Cap			025-32962-000	
3	Clip-On RC Circ.110-240V, D09-D38 & Cad	YLAA0058 - YLAA0175	40, 46	031-02106-000	*
4	Contact, 3-Pole, 12A, 600V	YLAA0058 - YLAA0120	40, 46	024-34300-000*	36
	Contact, 3-Pole, 12A, 600V	YLAA0125, YLAA0150 - YLAA0156	40	024-34300-000*	
	Contact, 3-Pole, 12A, 600V	YLAA0136, YLAA0142	40, 46	024-34300-000*	
	Contact, 3-Pole, 12A, 600V	YLAA0170, YLAA0175	40	024-34300-000*	
5	Contact, 3-Pole, 50A, 600V	YLAA0058 - YLAA0092	40, 46	024-37040-000*	36
	Contact, 3-Pole, 80A, 600V	YLAA0100, YLAA0115, YLAA0120	46	024-34310-000*	
	Contact, 3-Pole, 115A, 600V 110V Coil	YLAA0125 - YLAA0175	40	029-23472-000* 024-37042-000*	
	Contact, 3-Pole, 65A, 600V	YLAA0136, YLAA0142	40	024-37041-000*	
	Contact, 3-Pole, 80A, 600V		46	024-34310-000*	

NOTE:

* Items are NOT represented.

** Make a visual inspection of the fuses and contactors in order to select the correct replacement part, refer to Table 64 on page 116.

TABLE 61 - SINGLE POINT TERMINAL BLOCK HIGH AIR FLOW FANS (PIN 52 = G) (BX) (CONT'D)

ITEM	DESCRIPTION	MODEL	VOLTAGE (PIN 11 & 12)	PART NUMBER	FIGURE
6	Circuit Breaker, 600V, 250A	YLAA0058, YLAA0065	40, 46	024-35974-000	36
	Circuit Breaker, 600V, 400A	YLAA0070	40	024-35976-000	
	Circuit Breaker, 600V, 250A		46	024-35974-000	
	Circuit Breaker	YLAA0080, YLAA0081	40	-	
	Circuit Breaker, 600V, 250A		46	024-35974-000	
	Circuit Breaker, 600V, 400A	YLAA0089	40	024-35976-000	
	Circuit Breaker, 600V, 250A		46	024-35974-000	
	Circuit Breaker, 600V, 400A	YLAA0092	40, 46	024-35976-000	
	Circuit Breaker	YLAA0100, YLAA0101	40	-	
	Circuit Breaker, 600V, 400A		46	024-35976-000	
	Circuit Breaker	YLAA0115, YLAA0120	40	-	
	Circuit Breaker, 600V, 400A		46	024-37079-000	
	Circuit Breaker, 600V, 600A	YLAA0125	40	024-37004-000	
	Circuit Breaker, 600V, 400A		46	024-35976-000	
	Circuit Breaker, 600V, 600A	YLAA0136, YLAA0142	40	025-37004-000	
	Circuit Breaker, 600V, 400A		46	024-37079-000	
	Circuit Breaker, 600V, 600A	YLAA0150, YLAA0155, YLAA0170, YLAA0175	40	025-37006-000	
	Circuit Breaker, 600V, 600A		46	025-37004-000	
Circuit Breaker, 600V, 600A	YLAA0156	40	025-37006-000		
Circuit Breaker, 600V, 400A		46	024-37079-000		
6A	Operator Mechanism, Circuit Breaker	YLAA0058 - YLAA0175	ALL	025-34409-000	
7	Ground Lug, Copper	YLAA0080, YLAA0081	46	025-34088-000	36
		YLAA0136, YLAA0142	40, 46	025-34455-000 025-29194-000	
8	Ground Lug, Copper	YLAA0058	40	025-34455-000 025-29194-000	36
			46	025-34088-000	
		YLAA0065, YLAA0089, YLAA0092	40,46	025-34455-000 025-29194-000	
		YLAA0070	40	025-34455-000 025-29194-000	
		YLAA0100	46	025-34088-000	
		YLAA0115, YLAA0120, YLAA0150, YLAA0155, YLAA0156	46	025-34455-000 025-29194-000	
		YLAA0125, YLAA0136, YLAA0142	40, 46	025-34088-000	
YLAA0150, YLAA0155, YLAA0156, YLAA0170, YLAA0175	40	025-34088-000			

NOTE:

* Items are NOT represented.

** Make a visual inspection of the fuses and contactors in order to select the correct replacement part, refer to Table 64 on page 116.

TABLE 61 - SINGLE POINT TERMINAL BLOCK HIGH AIR FLOW FANS (PIN 52 = G) (BX) (CONT'D)

ITEM	DESCRIPTION	MODEL	VOLTAGE (PIN 11 & 12)	PART NUMBER	FIGURE
9	Ground Lug, Copper	YLAA0058, YLAA0089, YLAA0092, YLAA0125, YLAA0150, YLAA0155, YLAA0156	40, 46	025-34085-000	36
		YLAA0065, YLAA0080, YLAA0081	40, 46	025-34089-000	
		YLAA0100, YLAA0115, YLAA0120, YLAA0136	46	025-34085-000	
		YLAA0136	40	025-34086-000	
		YLAA0142	40, 46	025-34086-000	
		YLAA0170, YLAA0175	40	025-34085-000	
10	Surge Suppressor, LC1D40 / 50 / 65A	YLAA0058 - YLAA0175	40, 46	031-00808-000	36
11	Micro Assy	YLAA0058 - YLAA0175	40, 46	-	*
	Fuse, 600V, Class CC, 10A			025-34430-000 025-35905-000	
	Fuse Holder, 1-Pole, 30A, Class CC			025-45048-001	
	PCB Connector, Female, 4-Position			025-35627-000	
	Terminal, Ground 22 - 10 Ga.			025-39407-000	
	Jumper, Plug-In (2-Position)			025-37678-000	
	PCB Connector, Female, 10-Position			025-29195-000	
	Connector - Housing			025-20788-000	
	Connector, Plug			025-20918-000	
	Split Pin Connector			025-22214-000	
	Socket Connector, Female	025-22215-000			
12	Harness - Micro ELV	YLAA0058 - YLAA0175	40, 46	-	*
	Mini Mate-N-Lok			025-28385-000	
	Plug Housing			025-18955-000	
	Plug Housing			025-21137-000	
	Push-On Conn/Fem Straight			025-23735-000 025-34058-000	
	Connector Contact			025-28386-000	
	4 Circuit Dual Row			025-28959-000	
13	Assy IPU2 and I/O	YLAA0058 - YLAA0175	40, 46	031-02550-001	*
14	Flash Card, Programmed	YLAA0058 - YLAA0175	40, 46	031-02755-004	*
15	Carling Switch	YLAA0058 - YLAA0175	40, 46	024-25517-000	*
16	Keypad, Non-Embossed, English	YLAA0058 - YLAA0175	40, 46	024-36082-007	*
17	Display To Ipu I/O Cable	YLAA0058 - YLAA0175	40, 46	031-02108-000	*
18	2X20 Display	YLAA0058 - YLAA0175	40, 46	031-02749-000	*
19	Relay, Control, 600V, 10A	YLAA0058 - YLAA0175	40, 46	024-37045-000	36
20	Contact-Relay Coil Suppressor	YLAA0058 - YLAA0175	40, 46	031-02107-000	*
22	Terminal Strip, 10-Pole	YLAA0058 - YLAA0175	ALL	025-35641-000	36
	Terminal Strip, 12-Pole	YLAA0058 - YLAA0175	ALL	025-39812-000	

NOTE:

* Items are NOT represented.

** Make a visual inspection of the fuses and contactors in order to select the correct replacement part, refer to Table 64 on page 116.

TABLE 62 - SINGLE POINT TERMINAL BLOCK STANDARD OR ULTRA QUIET FANS (PIN 52 = X OR L) (BC)

ITEM	DESCRIPTION	MODEL	VOLTAGE (PIN 11 & 12)	PART NUMBER	FIGURE
1	Fuse, 600V, Class J, 60A	YLAA0058, YLAA0065,	46	025-40537-001*	36
	Fuse, 600V, Class J, 45A	YLAA0080, YLAA0081, YLAA0089, YLAA0092	58	025-40537-011*	
	Fuse, 600V, Class J, 50A	YLAA065	46	025-40537-012*	
	Fuse, 600V, Class J, 45A		58	025-40537-011*	
	Fuse, 600V, Class J, 50A	YLAA0070	46	025-40537-012*	
	Fuse, 600V, Class J, 35A		58	025-42822-253*	
	Fuse, 600V, Class J, 50A	YLAA0080, YLAA0081	46	025-40537-012*	
	Fuse, 600V, Class J, 35A		58	025-42822-253*	
	Fuse, 600V, Class J, 60A	YLAA0100, YLAA0101,	46	025-40537-001*	
	Fuse, 600V, Class J, 90A	YLAA0136, YLAA0142	58	025-38344-000*	
	Fuse, 600V, Class J, 100A	YLAA0100, YLAA0101,	46	025-40537-002*	
	Fuse, 600V, Class J, 45A	YLAA0136, YLAA0142	58	025-40537-011*	
	Fuse, 600V, Class J, 100A	YLAA0115 - YLAAA0125, YLAA0150 - YLAA0175	46	025-40537-002*	
	Fuse, 600V, Class J, 90A		58	025-38344-000*	
1A	Fuse Holder, 3-Pole, 30A, Class CC	YLAA0100, YLAA0101	All	025-45048-003*	
1B	Fuse Block, 3-Pole, 60A, Class J	YLAA0058 - YLAA0101, YLAA0136, YLAA0142	All	025-45050-003	
2	115V Control Harness	YLAA0058 - YLAA0175	ALL	-	*
	Connector - Housing			025-20788-000	
	Connector, Plug			025-20918-000	
	Split Pin Connector			025-22214-000	
	Socket Connector, Female			025-22215-000	
	Connector Contact			025-28386-000	
	Housing, Cap			025-32962-000	
3	Clip-On Rc Circ.110-240V, D09-D38 & Cad	YLAA0058 - YLAA0175	ALL	031-02106-000	*
4	Contact, 3-Pole, 12A, 600V	YLAA0058, YLAA0065	17, 28	024-34300-000*	36
	Contact, 3-Pole, 12A, 600V	YLAA0058	40, 46	024-34300-000*	
	Contact, 3-Pole, 9A, 600V		58	024-34302-000*	
	Contact, 3-Pole, 12A, 600V	YLAA0065, YLAA0080, YLAA0081	40, 46, 58	024-34300-000*	
	Contact, 3-Pole, 12A, 600V	YLAA0080, YLAA0081	17, 28	024-34300-000*	
	Contact, 3-Pole, 12A, 600V	YLAA0070, YLAA0089, YLAA0092	ALL	024-34300-000*	
	Contact, 3-Pole, 12A, 600V	YLAA0100, YLAA0101, YLAA0136, YLAA0142	17, 28	024-34300-000*	
	Contact, 3-Pole, 18A, 600V	YLAA0115 - YLAA0125	40	024-34304-000*	
	Contact, 3-Pole, 18A, 600V		17, 28	024-34304-000*	
	Contact, 3-Pole, 12A, 600V	YLAA0150 - YLAA0156	40, 46, 58	024-34300-000*	
	Contact, 3-Pole, 12A, 600V		40	024-34300-000*	
	Contact, 3-Pole, 18A, 600V	YLAA0150 - YLAA0175	46, 58	024-34304-000*	
	Contact, 3-Pole, 18A, 600V		17, 28, 40	024-34304-000*	
	Contact, 3-Pole, 12A, 600V	YLAA0150 - YLAA0175	46, 58	024-34300-000*	

NOTE:

* Items are NOT represented.

** Make a visual inspection of the fuses and contactors in order to select the correct replacement part, refer to Table 64 on page 116.

**TABLE 62 - SINGLE POINT TERMINAL BLOCK STANDARD OR ULTRA QUIET FANS (PIN 52 = X OR L) (BC)
(CONT'D)**

ITEM	DESCRIPTION	MODEL	VOLTAGE (PIN 11 & 12)	PART NUMBER	FIGURE
5	Contactors, 3-Pole, 115A, 600V 110V Coil	YLAA0058	17, 28	024-37042-000*	36
	Contactors, 3-Pole, 50A, 600V	YLAA0058, YLAA0065	40, 46, 58	024-37040-000*	
	Contactors, 3-Pole, 80A, 600V	YLAA0065	17, 28	024-34310-000*	
	Contactors, 3-Pole, 115A, 600V 110V Coil	YLAA0065, YLAA0080, YLAA0081	17, 28	029-23472-000* 024-37042-000*	
	Contactors, 3-Pole, 80A, 600V	YLAA0070	17, 28	024-34310-000*	
	Contactors, 3-Pole, 50A, 600V		40, 46, 58	024-37040-000*	
	Contactors, 3-Pole, 115A, 600V 110V Coil	YLAA0100, YLAA0101, YLAA0136, YLAA0142	17, 28, 40	029-23472-000* 024-37042-000*	
	Contactors, 3-Pole, 115A, 600V 110V Coil	YLAA0115 - YLAA0125, YLAA0150 - YLAA0175	40	029-23472-000* 024-37042-000*	
	Contactors, 3-Pole, 80A, 600V	YLAA0080, YLAA0081	17, 28	024-34310-000*	
	Contactors, 3-Pole, 50A, 600V		40	024-37040-000*	
	Contactors, 3-Pole, 65A, 600V		40	024-37041-000*	
	Contactors, 3-Pole, 50A, 600V		46, 58	024-37040-000*	
	Contactors, 3-Pole, 80A, 600V	YLAA0089, YLAA0092	17, 28	024-34310-000*	
	Contactors, 3-Pole, 50A, 600V		40, 46	024-37040-000*	
	Contactors, 3-Pole, 40A, 600V		58	024-37039-000*	
	Contactors, 3-Pole, 150A, 600V	YLAA0100, YLAA0101, YLAA0136, YLAA0142	17, 28	024-34294-000*	
	Contactors, 3-Pole, 65A, 600V		40	024-37041-000*	
	Contactors, 3-Pole, 80A, 600V		46, 58	024-34310-000*	
	Contactors, 3-Pole, 50A, 600V		46, 58	024-37040-000*	
	Contactors, 3-Pole, 150A, 600V	YLAA0115 - YLAA0125, YLAA0170, YLAA0175	17, 28	024-34294-000*	
Contactors, 3-Pole, 80A, 600V	YLAA0115 - YLAA0125	46, 58	024-34310-000*		
Contactors, 3-Pole, 150A, 600V	YLAA0150 - YLAA0156	17, 28	024-34294-000*		
Contactors, 3-Pole, 80A, 600V	YLAA0150 - YLAA0175	46, 58	024-34310-000*		
6	Circuit Breaker, 600V, 400A	YLAA0058, YLAA0065	17, 28	024-37079-000	36
	Circuit Breaker, 600V, 250A		40, 46	024-35974-000	
	Circuit Breaker, 600V, 250A		58	024-37067-000	
	Circuit Breaker	YLAA0070	17, 28, 40, 58	-	
	Circuit Breaker, 600V, 250A		46	024-35974-000	
	Circuit Breaker, 600V, 600A	YLAA0080, YLAA0081	17, 28	024-37006-000	
	Circuit Breaker, 600V, 125A			024-37086-000	
	Circuit Breaker, 600V, 225A		40	024-37076-000	
	Circuit Breaker, 600V, 400A			024-37079-000	
	Circuit Breaker, 600V, 60A	46	024-37081-000		
	Circuit Breaker, 600V, 125A		024-37086-000		
	Circuit Breaker, 600V, 400A		024-35976-000		
	Circuit Breaker, 600V, 250A	58	024-37058-000		

NOTE:

* Items are NOT represented.

** Make a visual inspection of the fuses and contactors in order to select the correct replacement part, refer to Table 64 on page 116.

**TABLE 62 - SINGLE POINT TERMINAL BLOCK STANDARD OR ULTRA QUIET FANS (PIN 52 = X OR L) (BC)
 (CONT'D)**

ITEM	DESCRIPTION	MODEL	VOLTAGE (PIN 11 & 12)	PART NUMBER	FIGURE
6	Circuit Breaker, 600V, 600A	YLAA0089	17, 28	024-37004-000	36
	Circuit Breaker, 600V, 125A			024-37086-000	
	Circuit Breaker, 600V, 400A		40	024-35976-000	
	Circuit Breaker, 600V, 60A			024-37081-000	
	Circuit Breaker, 600V, 250A		46	024-35974-000	
	Circuit Breaker, 600V, 250A			58	
	Circuit Breaker, 600V, 600A	YLAA0092	17, 28	024-37006-000	
	Circuit Breaker, 600V, 125A			024-37086-000	
	Circuit Breaker, 600V, 400A		40	024-35976-000	
	Circuit Breaker, 600V, 60A			024-37081-000	
	Circuit Breaker, 600V, 250A		46	024-37058-000	
	Circuit Breaker, 600V, 250A			58	
	Circuit Breaker, 600V, 600A	YLAA0100, YLAA0101	17, 28	024-37006-000	
	Circuit Breaker, 600V, 125A			024-37086-000	
	Circuit Breaker, 600V, 225A		40	024-37076-000	
	Circuit Breaker, 600V, 400A			024-37079-000	
	Circuit Breaker, 600V, 60A		46	024-37081-000	
	Circuit Breaker, 600V, 125A			024-37086-000	
	Circuit Breaker, 600V, 400A	58	024-35976-000		
	Circuit Breaker, 600V, 250A		024-37058-000		
	Circuit Breaker, 600V, 800A	YLAA0115, YLAA0120, YLAA0125	17, 28	024-37003-000	
	Circuit Breaker, 600V, 225A			024-37076-000	
	Circuit Breaker, 600V, 400A		40	024-37079-000	
	Circuit Breaker, 600V, 125A			024-37086-000	
	Circuit Breaker, 600V, 400A		46	024-37079-000	
	Circuit Breaker, 600V, 400A			58	
	Circuit Breaker, 600V, 800A	YLAA0136, YLAA0142	17, 28	024-37007-000	
	Circuit Breaker, 600V, 125A			024-37086-000	
	Circuit Breaker, 600V, 225A		40	024-37076-000	
	Circuit Breaker, 600V, 600A			024-37004-000	
	Circuit Breaker, 600V, 60A		46	024-37081-000	
	Circuit Breaker, 600V, 125A			024-37086-000	
	Circuit Breaker, 600V, 400A	58	024-37079-000		
	Circuit Breaker, 600V, 400A		024-37066-000		
	Circuit Breaker, 600V, 800A	YLAA0150, YLAA0155, YLAA0156	17, 28	024-37007-000	
	Circuit Breaker, 600V, 225A			024-37076-000	
Circuit Breaker, 600V, 600A	40		024-37006-000		
Circuit Breaker, 600V, 125A			024-37086-000		
Circuit Breaker, 600V, 600A	46		024-37004-000		
Circuit Breaker, 600V, 400A			58	024-37066-000	

NOTE:

* Items are NOT represented.

** Make a visual inspection of the fuses and contactors in order to select the correct replacement part, refer to Table 64 on page 116.

**TABLE 62 - SINGLE POINT TERMINAL BLOCK STANDARD OR ULTRA QUIET FANS (PIN 52 = X OR L) (BC)
(CONT'D)**

ITEM	DESCRIPTION	MODEL	VOLTAGE (PIN 11 & 12)	PART NUMBER	FIGURE
6	Circuit Breaker, 600V, 1000A	YLAA0170, YLAA0175	17, 28	024-37054-000	36
	Circuit Breaker, 600V, 225A			024-37076-000	
	Circuit Breaker, 600V, 600A		40	024-37006-000	
	Circuit Breaker, 600V, 400A		46	024-37004-000	
	Circuit Breaker, 600V, 400A		58	024-37059-000	
6A	Handle Kit, T4-T5 CB	YLAA0058 - YLAA0175	ALL	029-23477-000	36
	Operator Mechanism, Circuit Breaker, T4-T5			024-37558-000	
	Shaft, Operator, 19.7"/500mm			025-35696-000	
	Handle, Pistol, Ip65, S(T)4-5			029-23476-000	
7	Ground Lug, Copper	YLAA0058, YLAA0065, YLAA0092	17, 28	025-34088-000	36
			40, 46, 58	025-34455-000 025-29194-000	
		YLAA0070, YLAA0080, YLAA0081	17, 28, 40, 58	025-34088-000	
			40	025-34455-000 025-29194-000	
		YLAA0089	17, 28, 40, 58	025-34455-000 025-29194-000	
			46	025-34088-000	
		YLAA0100, YLAA0101	17, 28, 40, 56	025-34088-000	
			58	025-34455-000 025-29194-000	
		YLAA0115 - YLAA0125, YLAA0170, YLAA0175	17, 28	025-34089-000	
			40, 46, 58	025-34088-000	
		YLAA0136, YLAA142	ALL	025-34088-000	
		YLAA0150 - YLAA0156	17, 28	025-34089-000	
40, 46	025-34088-000				
58	025-34455-000 025-29194-000				
7A	Ground Lug, Copper	YLAA0100, YLAA0101	58	025-34088-000	36
		YLAA0136, YLAA0142	17, 28	025-34089-000	
8	Ground Lug, Copper	YLAA0058, YLAA0065	17, 28	025-34085-000	36
			40, 46, 58	025-34089-000	
		YLAA0070, YLAA0080, YLAA0081	ALL	025-34089-000	
			17, 28, 40	025-34085-000	
		YLAA0089	46	025-34089-000	
			58	025-34088-000	
		YLAA0092	17, 28, 40, 46	025-34085-000	
58	025-34089-000				

NOTE:

* Items are NOT represented.

** Make a visual inspection of the fuses and contactors in order to select the correct replacement part, refer to Table 64 on page 116.

**TABLE 62 - SINGLE POINT TERMINAL BLOCK STANDARD OR ULTRA QUIET FANS (PIN 52 = X OR L) (BC)
 (CONT'D)**

ITEM	DESCRIPTION	MODEL	VOLTAGE (PIN 11 & 12)	PART NUMBER	FIGURE
8	Ground Lug, Copper	YLAA0100, YLAA0101	17, 28, 40, 46	025-34089-000	36
			58	025-34085-000	
		YLAA0115 - YLAA0125	17, 28	025-34086-000	
			40, 46, 58	025-34085-000	
		YLAA0136, YLAA0142	17, 28, 46	025-34086-000	
			40, 58	025-34089-000	
YLAA0150 - YLAA0156	17, 28, 46, 58	025-34085-000			
	40	025-34089-000			
	YLAA0170, YLAA0175	ALL	025-34085-000		
9	Surge Suppressor	YLAA0058 - YLAA0175	ALL	031-00808-000	36
10	Micro Assy	YLAA0058 - YLAA0175	ALL	-	*
	Fuse, 600V, Class CC, 10A			025-34430-000	
	Fuse Holder, 1-Pole, 30A, Class CC			025-35905-000	
	PCB Connector, Female, 4-Position			025-45048-001	
	Terminal, Ground 22 - 10 Ga.			025-35627-000	
	Jumper, Plug-In (2-Position)			025-39407-000	
	PCB Connector, Female, 10-Position			025-37678-000	
	Connector - Housing			025-29195-000	
	Connector, Plug			025-20788-000	
	Split Pin Connector			025-20918-000	
	Socket Connector, Female			025-22214-000	
		025-22215-000			
11	Harness - Micro ELV	YLAA0058 - YLAA0175	ALL	-	*
	Mini Mate-N-Lok			025-28385-000	
	Plug Housing			025-18955-000	
	Plug Housing			025-21137-000	
	Push-On Conn/Fem Straight			025-23735-000	
	Connector Contact			025-34058-000	
	4 Circuit Dual Row			025-28386-000	
		025-28959-000			
12	Assy IPU2 And I/O	YLAA0058 - YLAA0175	ALL	031-02550-001	*
13	Flash Card, Programmed	YLAA0058 - YLAA0175	ALL	031-02755-004	*
14	Carling Switch	YLAA0058 - YLAA0175	ALL	024-25517-000	*
15	Keypad, Non-Embossed, English	YLAA0058 - YLAA0175	ALL	024-36082-007	*
16	Display To IPU I/O Cable	YLAA0058 - YLAA0175	ALL	031-02108-000	*
17	2X20 Display	YLAA0058 - YLAA0175	ALL	031-02749-000	*
18	Relay, Control, 600V, 10A	YLAA0058 - YLAA0175	ALL	024-37045-000	36
19	Contact-Relay Coil Suppressor	YLAA0058 - YLAA0175	ALL	031-02107-000	*
22	Terminal Strip, 10-Pole	YLAA0058 - YLAA0175	ALL	025-35641-000	36
	Terminal Strip, 10-Pole	YLAA0058 - YLAA0175	ALL	025-39812-000	

NOTE:

* Items are NOT represented.

** Make a visual inspection of the fuses and contactors in order to select the correct replacement part, refer to Table 64 on page 116.

TABLE 63 - SINGLE POINT TERMINAL BLOCK HIGH AIR FLOW FANS (PIN 52 = G) (BC)

ITEM	DESCRIPTION	MODEL	VOLTAGE (PIN 11 & 12)	PART NUMBER	FIGURE
1	Fuse, 600V, Class CC, 20A	YLAA0058	40	025-34142-000*	36
	Fuse, 600V, Class J, 60A		46	025-36176-000* 025-40537-001*	
	Fuse, 600V, Class CC, 20A	YLAA0065 - YLAA0081	40, 46	025-34142-000*	
	Fuse, 600V, Class CC, 20A	YLAA0100	40	025-34142-000*	
	Fuse, 600V, Class CC, 15A		46	025-34141-000*	
	Fuse, 600V, Class CC, 20A		46	025-34140-000*	
	Fuse, 600V, Class CC, 12A	YLAA0115, YLAA0120	40	025-38396-000* 025-34140-000*	
	Fuse, 600V, Class CC, 12A	YLAA0115, YLAA0120, YLAA0170, YLAA0175	46	025-38396-000* 025-34140-000*	
	Fuse, 600V, Class CC, 10A	YLAA0100, YLAA0142	46	025-37618-000* 025-34139-000*	
	Fuse, 600V, Class CC, 20A		46	025-34140-000*	
	Fuse, 600V, Class CC, 20A		46	025-34142-000*	
	Fuse, 600V, Class CC, 12A	YLAA0142, YLAA070, YLAA0175	40	025-38396-000* 025-34140-000*	
	Fuse, 600V, Class CC, 15A		46	025-34141-000*	
	Fuse, 600V, Class J, 45A	YLAA0070, YLAA0080, YLAA0081	46	025-39349-000* 025-40537-011*	
	Fuse, 600V, Class J, 50A	YLAA0080, YLAA0081	46	025-36175-000* 025-40537-012*	
	Fuse, 600V, Class CC, 12A	YLAA0100	40	025-38396-000* 025-34140-000*	
1A	Fuse, 600V, Class J, 100A	YLAA0100	46	025-36180-000* 025-40537-002*	36
	Fuse, 600V, Class J, 100A	YLAA0101, YLAA0115, YLAA0120, YLAA0136, YLAA0142, YLAA0150, YLAA0155, YLAA0170, YLAA0175	46	025-36180-000* 025-40537-002*	
	Fuse, 600V, Class J, 100A	YLAA0125	46	025-36180-000* 025-40537-002*	
	Fuse, 600V, Class J, 100A	YLAA0156	46	025-36180-000* 025-40537-002*	
	Fuse, 600V, Class J, 60A	YLAA0100, YLAA0136, YLAA0142	46	025-36176-000* 025-40537-001*	
	Fuse, 600V, Class J, 50A	YLAA0101	46	025-36175-000* 025-40537-012*	
1B	Fuse Holder, 3-Pole, 30A, Class CC	YLAA0058 - YLAA0175	40, 46	025-45048-003	
1C	Fuse Block, 3-Pole, 60A, Class J	YLAA0058, YLAA0070, YLAA0080, YLAA0081, YLAA0100, YLAA0101, YLAA0136, YLAA0142	46	025-45050-003	

NOTE:

* Items are NOT represented.

** Make a visual inspection of the fuses and contactors in order to select the correct replacement part, refer to Table 64 on page 116.

TABLE 63 - SINGLE POINT TERMINAL BLOCK HIGH AIR FLOW FANS (PIN 52 = G) (BC) (CONT'D)

ITEM	DESCRIPTION	MODEL	VOLTAGE (PIN 11 & 12)	PART NUMBER	FIGURE
2	115V Control Harness	YLAA0058 - YLAA0175	40, 46	-	*
	Connector - Housing			025-20788-000	
	Connector, Plug			025-20918-000	
	Split Pin Connector			025-22214-000	
	Socket Connector, Female			025-22215-000	
	Connector Contact			025-28386-000	
	Housing, Cap			025-32962-000	
3	Clip-On RC Circ.110-240V, D09-D38 & Cad	YLAA0058 - YLAA0175	40, 46	031-02106-000	*
4	Contact, 3-Pole, 12A, 600V	YLAA0058 - YLAA0081	40, 46	024-34300-000*	36
	Contact, 3-Pole, 12A, 600V	YLAA0115 - YLAA0125, YLAA0150 - YLAA0175	40	024-34300-000*	
	Contact, 3-Pole, 12A, 600V	YLAA0100 - YLAA0175	46	024-34300-000*	
	Contact, 3-Pole, 12A, 600V	YLAA0100, YLAA0101, YLAA0136, YLAA0142	40	024-34300-000*	
5	Contact, 3-Pole, 50A, 600V	YLAA0058, YLAA0065, YLAA0070	40, 46	024-37040-000*	36
	Contact, 3-Pole, 50A, 600V	YLAA0080, YLAA0081	40	024-37040-000*	
	Contact, 3-Pole, 65A, 600V	YLAA0080, YLAA0081	40	024-37041-000*	
	Contact, 3-Pole, 50A, 600V		46	024-37040-000*	
	Contact, 3-Pole, 115A, 600V 110V Coil	YLAA0100 - YLAA0175	40	029-23472-000*	
	Contact, 3-Pole, 65A, 600V	YLAA0100, YLAA0101, YLAA0136, YLAA0142	40	024-37041-000*	
	Contact, 3-Pole, 80A, 600V		46	024-34310-000*	
	Contact, 3-Pole, 80A, 600V	YLAA0115 - YLAA0125, YLAA0150 - YLAA0175	46	024-34310-000*	
Contact, 3-Pole, 50A, 600V		46	024-37040-000*		
6	Circuit Breaker, 600V, 250A	YLAA0058	40	024-35974-000	36
	Circuit Breaker, 600V, 60A			024-37081-000	
	Circuit Breaker, 600V, 250A		46	024-35974-000	
	Circuit Breaker, 600V, 250A	YLAA0065	40, 46	024-35974-000	
	Circuit Breaker, 600V, 400A	YLAA0070	40	024-35976-000	
	Circuit Breaker, 600V, 60A			024-37081-000	
	Circuit Breaker, 600V, 250A		46	024-35974-000	
	Circuit Breaker, 600V, 400A	YLAA0080, YLAA0081	40	024-35976-000	
	Circuit Breaker, 600V, 60A			024-37081-000	
	Circuit Breaker, 600V, 250A		46	024-35974-000	
	Circuit Breaker, 600V, 400A	YLAA0089	40	024-35976-000	
	Circuit Breaker, 600V, 60A			024-37081-000	
	Circuit Breaker, 600V, 250A		46	024-35974-000	
	Circuit Breaker, 600V, 400A	YLAA0092	40	024-35976-000	
	Circuit Breaker, 600V, 60A			024-37081-000	
	Circuit Breaker, 600V, 400A		46	024-35976-000	

NOTE:

* Items are NOT represented.

** Make a visual inspection of the fuses and contactors in order to select the correct replacement part, refer to Table 64 on page 116.

TABLE 63 - SINGLE POINT TERMINAL BLOCK HIGH AIR FLOW FANS (PIN 52 = G) (BC) (CONT'D)

ITEM	DESCRIPTION	MODEL	VOLTAGE (PIN 11 & 12)	PART NUMBER	FIGURE
6	Circuit Breaker, 600V, 400A	YLAA0100, YLAA0101	40	024-37079-000	36
	Circuit Breaker, 600V, 60A			024-37081-000	
	Circuit Breaker, 600V, 125A			024-37086-000	
	Circuit Breaker, 600V, 400A			024-35976-000	
	Circuit Breaker, 600V, 400A	YLAA0115, YLAA0120	40	024-37079-000	
	Circuit Breaker, 600V, 125A			024-37086-000	
	Circuit Breaker, 600V, 400A			024-37079-000	
	Circuit Breaker, 600V, 600A	YLAA0125	40	024-37004-000	
	Circuit Breaker, 600V, 125A			024-37086-000	
	Circuit Breaker, 600V, 400A			024-35976-000	
	Circuit Breaker, 600V, 600A	YLAA0136	40	024-37004-000	
	Circuit Breaker, 600V, 60A			024-37081-000	
	Circuit Breaker, 600V, 125A			024-37086-000	
	Circuit Breaker, 600V, 400A			024-37079-000	
	Circuit Breaker, 600V, 600A	YLAA0142	40	024-37004-000	
	Circuit Breaker, 600V, 60A			024-37081-000	
	Circuit Breaker, 600V, 125A			024-37086-000	
	Circuit Breaker, 600V, 400A			024-37079-000	
	Circuit Breaker, 600V, 600A	YLAA0150, YLAA0155	40	024-37006-000	
	Circuit Breaker, 600V, 125A			024-37086-000	
Circuit Breaker, 600V, 600A	024-37004-000				
Circuit Breaker, 600V, 600A	YLAA0156	40	024-37006-000		
Circuit Breaker, 600V, 125A			024-37086-000		
Circuit Breaker, 600V, 400A			024-37079-000		
Circuit Breaker, 600V, 600A	YLAA0170, YLAA0175	40	024-37006-000		
Circuit Breaker, 600V, 125A			024-37086-000		
Circuit Breaker, 600V, 600A			024-37004-000		
6A	Handle Kit, T4-T5 CB	YLAA0058 - YLAA0175	ALL	029-23477-000	
	Operator Mechanism, Circuit Breaker, T4-T5			024-37558-000	
	Shaft, Operator, 19.7"/500mm			025-35696-000	
	Handle, Pistol, Ip65, S(T)4-5			029-23476-000	
7	Ground Lug, Copper	YLAA0058, YLAA0065, YLAA0080, YLAA0081	40	025-34455-000	
			46	025-29194-000	
		YLAA0070	40	025-34088-000	
			46	025-34455-000 025-29194-000	
		YLAA0100 - YLAA0125, YLAA0150 - YLAA0175	40, 46	025-34088-000	
		YLAA0136, YLAA0142	40, 46	025-34455-000 025-29194-000	
7A	Ground Lug, Copper	YLAA0136, YLAA0142	40	025-34088-000	36

NOTE:

* Items are NOT represented.

** Make a visual inspection of the fuses and contactors in order to select the correct replacement part, refer to Table 64 on page 116.

TABLE 63 - SINGLE POINT TERMINAL BLOCK HIGH AIR FLOW FANS (PIN 52 = G) (BC) (CONT'D)

ITEM	DESCRIPTION	MODEL	VOLTAGE (PIN 11 & 12)	PART NUMBER	FIGURE
8	Ground Lug, Copper	YLAA0058, YLAA0101, YLAA0125, YLAA0150 - YLAA0156	40, 46	025-34085-000	36
		YLAA0065, YLAA0115, YLAA0120	40	025-34089-000	
			46	025-34085-000	
		YLAA0070, YLAA0080, YLAA0081	40	025-34085-000	
			46	025-34089-000	
		YLAA0100, YLAA0170, YLAA0175	40	025-34086-000	
			46	025-34085-000	
YLAA0136	40	025-34086-000			
	46	025-34088-000			
	YLAA0142	40, 46	025-34086-000		
9	Surge Suppressor, LC1D40 / 50 / 65A	YLAA0058 - YLAA0175	40, 46	031-00808-000	36
10	Micro Assy	YLAA0058 - YLAA0175	40, 46	-	*
	Fuse, 600V, Class CC, 10A			025-34430-000	
	Fuse Holder, 1-Pole, 30A, Class CC			025-35905-000	
	PCB Connector, Female, 4-Position			025-45048-001	
	Terminal, Ground 22 - 10 Ga.			025-35627-000	
	Jumper, Plug-In (2-Position)			025-39407-000	
	PCB Connector, Female, 10-Position			025-37678-000	
	Connector - Housing			025-29195-000	
	Connector, Plug			025-20788-000	
	Split Pin Connector			025-20918-000	
	Socket Connector, Female	025-22214-000			
		025-22215-000			
11	Harness - Micro ELV	YLAA0058 - YLAA0175	40, 46	-	*
	Mini Mate-N-Lok			025-28385-000	
	Plug Housing			025-18955-000	
	Plug Housing			025-21137-000	
	Push-On Conn/Fem Straight			025-23735-000	
	Connector Contact			025-34058-000	
	4 Circuit Dual Row			025-28386-000	
		025-28959-000			
12	Assy IPU2 and I/O	YLAA0058 - YLAA0175	40, 46	031-02550-001	*
13	Flash Card, Programmed	YLAA0058 - YLAA0175	40, 46	031-02755-004	*
14	Carling Switch	YLAA0058 - YLAA0175	40, 46	024-25517-000	*
15	Keypad, Non-Embossed, English	YLAA0058 - YLAA0175	40, 46	024-36082-007	*
16	Display To IPU I/O Cable	YLAA0058 - YLAA0175	40, 46	031-02108-000	*
17	2X20 Display	YLAA0058 - YLAA0175	40, 46	031-02749-000	*
18	Relay, Control, 600V, 10A	YLAA0058 - YLAA0175	40, 46	024-37045-000	36
19	Contacto-Relay Coil Suppressor	YLAA0058 - YLAA0175	40, 46	031-02107-000	*
22	Terminal Strip, 10-Pole	YLAA0058 - YLAA0175	ALL	025-35641-000	36
	Terminal Strip, 12-Pole	YLAA0058 - YLAA0175	ALL	025-39812-000	

NOTE:

* Items are NOT represented.

** Make a visual inspection of the fuses and contactors in order to select the correct replacement part, refer to Table 64 on page 116.

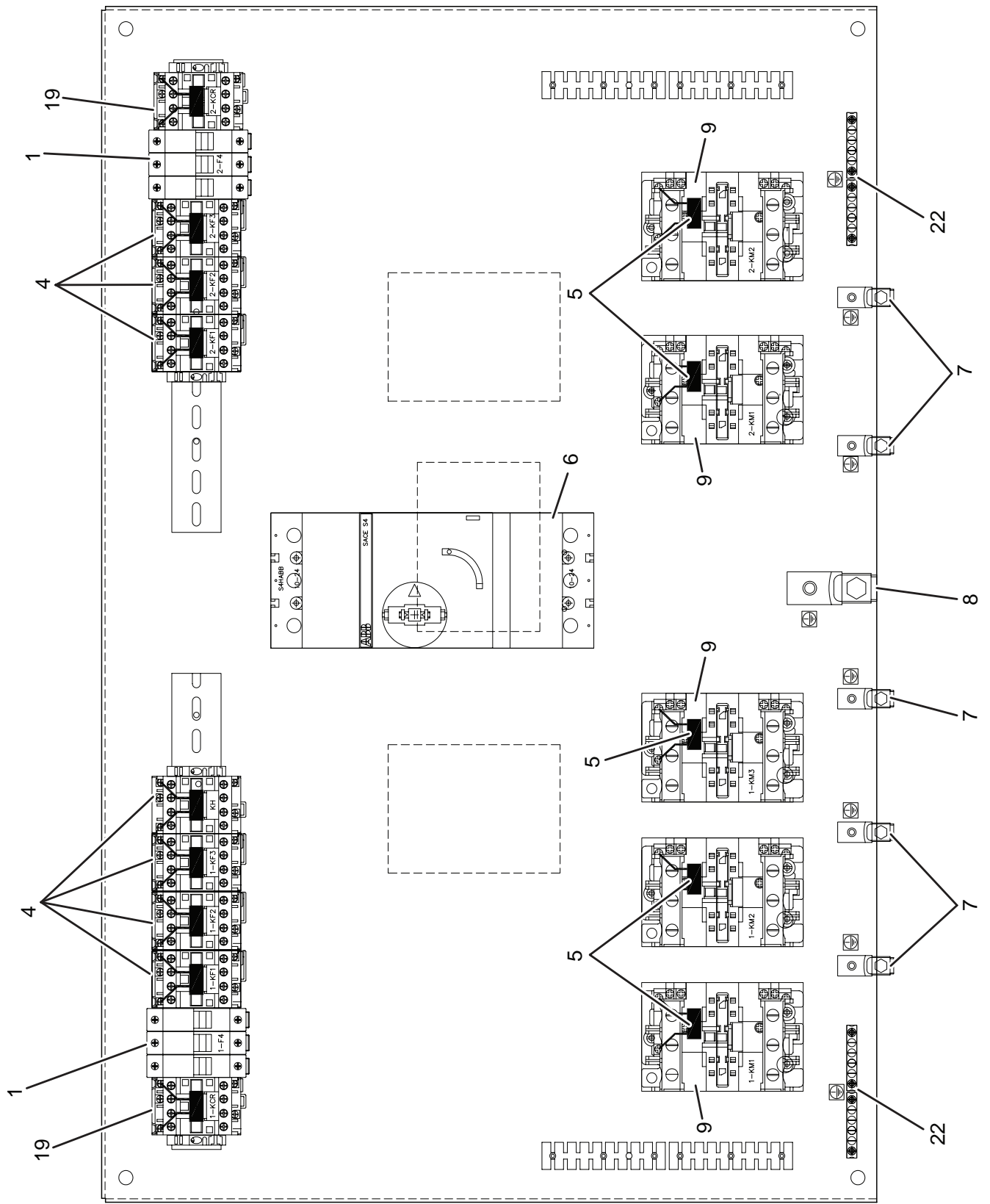


FIGURE 36 - SINGLE POINT TERMINAL BLOCK

LD18200

TABLE 64 - POWER PANEL FUSES AND CONTACTORS

DESCRIPTION	PART NUMBER
FUSE, 600V, CLASS CC, 10A	025-37618-000 025-34139-000
FUSE, 600V, CLASS CC, 12A	025-38396-000 025-34140-000
FUSE, 600V, CLASS CC, 15A	025-34141-000
FUSE, 600V, CLASS CC, 17-1/2A	025-34142-000
FUSE, 600V, CLASS CC, 20A	025-34142-000
FUSE, 600V, CLASS CC, 30A	025-39683-000
FUSE, 600V, CLASS J, 35A	025-36172-000 025-42822-253
FUSE, 600V, CLASS J, 45A	025-39349-000 025-40537-011
FUSE, 600V, CLASS J, 50A	025-36175-000 025-40537-012
FUSE, 600V, CLASS J, 60A	025-36176-000 025-40537-001
FUSE, 600V, CLASS J, 90A	025-36179-000 025-38344-000
FUSE, 600V, CLASS J, 100A	025-36180-000 025-40537-002
CONTACTOR, 3-POLE, 9A, 600V	024-34302-000
CONTACTOR, 3-POLE, 12A, 600V	024-34300-000
CONTACTOR, 3-POLE, 18A, 600V	024-34304-000
CONTACTOR, 32A, 110VAC COIL	024-34306-000
CONTACTOR, 3-POLE, 40A, 600V	024-37039-000
CONTACTOR, 3-POLE, 50A, 600V	024-37040-000
CONTACTOR, 3-POLE, 65A, 600V	024-37041-000
CONTACTOR, 3-POLE, 80A, 600V	024-34310-000
CONTACTOR, 3-POLE, 115A, 600V 110V COIL	029-23472-000 024-37042-000
CONTACTOR, 3-POLE, 150A, 600V	024-34294-000

TABLE 65 - EEV PANEL KIT (DANFOSS EEV CONTROLLER)

MODELS	PIN 9 =	PIN 32 = E
		PIN 14 = F
		PIN 24 = L
		PART NUMBER
YLAA0058, YLAA0065, YLAA0081, YLAA0092, YLAA0101, YLAA012	H	392-06140-003
YLAA0089, YLAA0100, YLAA0115, YLAA0120	S	
YLAA0070	S	392-06140-001
YLAA0080	S	392-06140-002
YLAA00136, YLAA0150, YLAA0155	S	392-06140-004
YLAA0142, YLAA0156	H	
YLAA0170	S	392-06140-005
YLAA0175	H	

Note: Danfoss EEV Controller does not apply to models 0200 and 0230

TABLE 66 - EEV PANEL KIT (SPORLAN EEV CONTROLLER)

ITEM	DESCRIPTION	PART NUMBER	SAP	QUALITY	FIGURE
100	EEV Driver Board Ib-G Part#953580 Parker	025-45462-042	5003886	2	37
122	Trans P=120V 1Ph S=24V 75.0VAM	025-37679-000	117959	1	37
140	Magnetic Catch	021-32561-000	556619	1	37
150	Hinge Assy Black Small 5MM	029-26552-000	372092	2	37
164	Lug Wire 22-18Awg Receptacle/Tab 180.0°	025-32932-000	1115108	4	37
200	Harness, EEV Controller to Transformer	592-31048-002	5151261	1	37
	Wire Elec 18AWG Brown	025-34187-000	839738	114"	
	Wire Elec 18AWG Lt Blu	025-34021-000	738978	114"	
	Lug Wire 16-14AWG Receptacle Box (Transformer End)	025-35940-000	1055318	2	
201	Harness, 120V Sporlan Controller to EEV Transformer	592-31048-005	5151264	1	37
	Wire Elec 18 AWG Red	025-34017-000	738974	37"	
	Wire Elec 18 AWG Lt Blu	025-34021-000	738978	37"	
	Term Push-On .250 Wire (Transformer End)	025-21156-000	618100	2	
202	Harness, EEV Controller	592-31048-003	5151262	1	37
	Wire 2-Condtr W/Foil Shield	025-30463-002	738502	96"	
	HSG Connr Plug Mini 8 Ckt Nat	025-35966-000	550505	1	
	Contact Socket Mini Universal (EEV End)	025-28386-000	737925	4	
203	Harness, EEV Controller System 1	592-31048-001	5151260	1	37
	4 Conductor Shielded Wire	025-32940-000	1055318	250"	
	Connector M12 - 1838274-TE	025-44341-279	859025	1	
204	Harness, EEV Controller System 2	592-31048-006	5151265	1	37
	4 Conductor Shielded Wire	025-32940-000	738777	250"	
	Connector M12 - 1838274-TE	025-44341-279	859025	1	
205	Harness, Suction Temperature Sensor System 2	592-31048-004	5151263	1	37
	Wire 2-Condtr W/Foil Shield	025-30463-002	738502	132"	
	Connector Plug Hsg, 2 Position	025-28951-000	62724	1	
	Collar Rubber, Black, 070	025-28950-000	65212	2	
	HSG Connr Plug Mini-Nat	025-28383-000	737917	1	
	Contact Receptacle, 070 Series (EEV End)	025-28952-000	260	2	
206	Harness, Suction Temperature Sensor System 1	592-31048-007	5151266	1	37
	Wire 2-Condtr W/Foil Shield	025-30463-002	738502	132"	
	Connector Plug Hsg, 2 Position	025-28951-000	62724	1	
	Collar Rubber, Black, 070	025-28950-000	65212	2	
	HSG Connr Plug Mini-Nat	025-28383-000	737917	1	
	Contact Receptacle, 070 Series (EEV End)	025-28952-000	260	2	
207	Sensor Temp NTC -40 to 110°C	025-47673-000	5167566	2	37

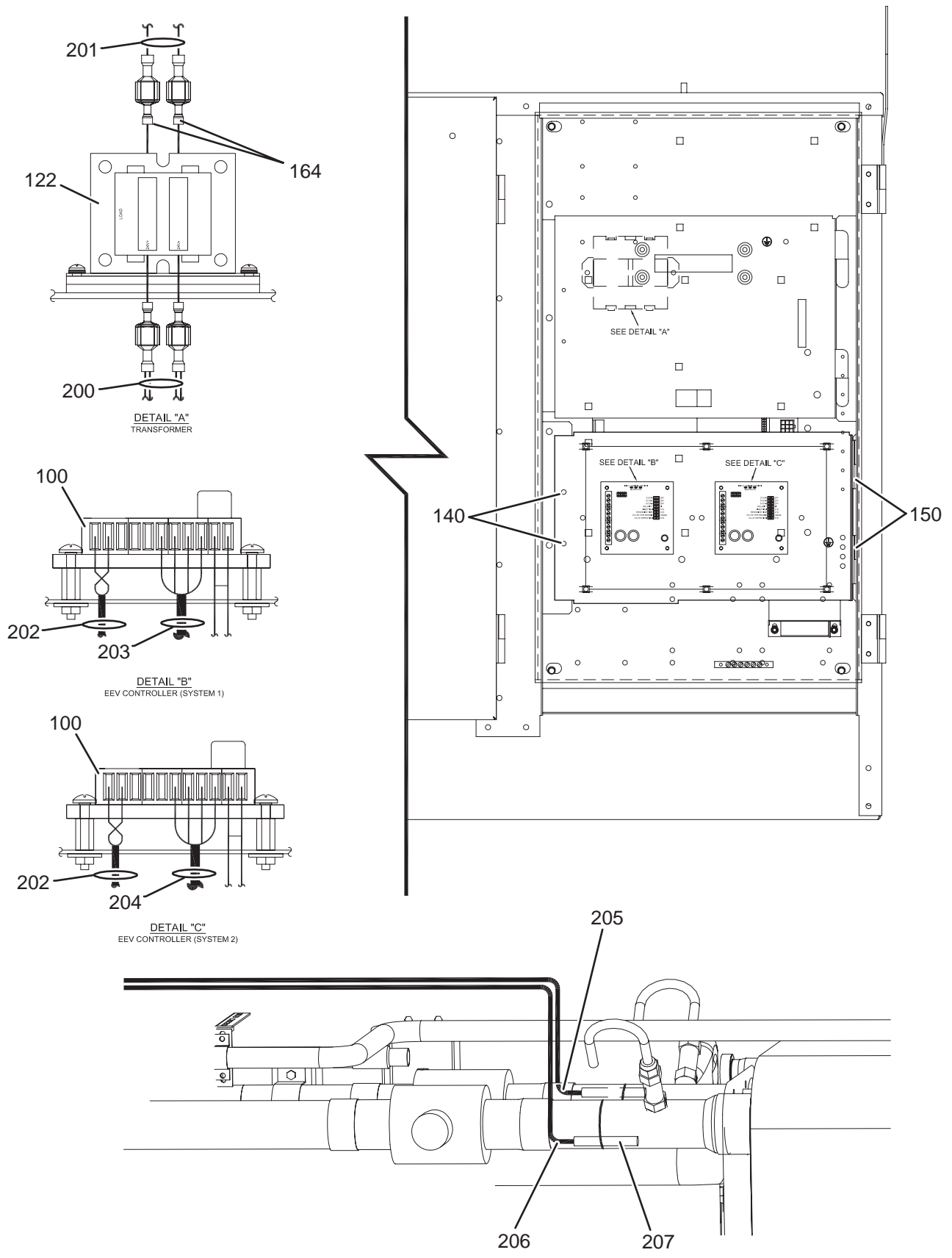


FIGURE 37 - EEV PANEL KIT (SPORLAN EEV CONTROLLER)

TABLE 67 - POWER PANEL MODEL 200 LOW SOUND, ULTRA QUIET FANS (PIN 52=X, L, V OR M) SP SUPPLY TB (PIN 16 & 17= SX)

ITEM	DESCRIPTION	VOLTAGE	PART NUMBER	SAP	QTY	FIGURE
1	Power Back Panel	17, 28	071-08132-000	5380989	1	38
4	DIN RAIL L=482.60MM W=35.00MM D=7.50MM	17, 28	071-05906-190	839884	2	38
5	Terminal, End Bracket	17, 28	025-39406-000	739625	4	38
6	Ground Bar, 4-Pole	17, 28	025-35685-000	5380956	4	38
100	3-Ph Jumpers, 6"	17, 28	025-49367-010	5380960	2	38
201	Block, Term 3 Pole 600V	40, 46	025-32536-000	919881	1	38
202	Ground Lug, Copper	40, 46, 58	025-34088-000	117638	6	38
203	Power Distribution Block	58	025-38395-000	920117	1	38
204	Cover, Distribution Block	40, 46	025-39397-000	5389645	3	38
204a	Terminal Block P=3 500 Mcm	58	025-40848-000	5389648	1	38
205	Circuit Breaker 1200.0A 600V 3Pole	17, 28	024-37005-000	919075	1	38
206	Lug Wire 3/0Awg Contact Terminal 90.0Deg	17, 28	025-34085-000	901798	3	38
207	Grnlug Cu-6-1/0	ALL	025-34089-000	117639	6	38
208	Ckt Brkr-Lug Kit - 4/0-500Mcm	17, 28	025-40832-000	1099847	1	38
209	115V Control Harness	ALL	025-49458-000	5380963	1	See Table 83
210	Power Harness - Sp Disc	17, 28	025-49519-005	5380966	1	See Table 83
	Power Harness - Sp Disc	40	025-49519-002	5389651	1	
	Power Harness - Sp Disc	46, 58	025-49519-003	5380965	1	
211	Surge Suppressor	ALL	031-00808-000	618876	6	38
212	Clip-On Rc Circ.110-240V, D09-D38 & Cad	ALL	031-02106-000	922180	6	*
214	Insulating Material S6/T6/S7/T7 Iso/T-Ma	17, 28	071-04351-003	5394398	1	38
300	Fuseholder 3 Pole 30Amp 600V	ALL	025-45048-003	826358	1	38
301	Fuse, Cartridge Type 30 Amp	ALL	025-39683-000	739699	3	38
302	Fuseholder 3 Pole 30Amp 600V	ALL	025-45048-003	826358	1	38
303	Fuse, Cartridge Type 30 Amp	17, 28	025-39683-000	739699	3	38
304	Fuseholder 3 Pole 30Amp 600V	17, 28	025-45048-003	826358	1	38
305	Fuse, Cartridge Type 30 Amp	ALL	025-39683-000	739699	3	38
306	Fuseholder 3 Pole 30Amp 600V	17, 28	025-45048-003	826358	1	38
307	Fuse, Cartridge Type 30 Amp	17, 28	025-39683-000	739699	3	38
400	Relay 120 VAC 4No Din Rail AC=10.0A DC=	ALL	024-37045-000	917838	1	38
401	Relay 120 VAC 4No Din Rail AC=10.0A DC=	ALL	024-37045-000	917838	1	38
402	Relay 120 VAC 4No Din Rail AC=10.0A DC=	ALL	024-37045-000	917838	1	38
403	Surge Suppresor	ALL	031-02107-000	922201	3	38
500	Contactora, 3-Pole, 12A, 600V	ALL	024-34300-000	116967	1	38
501	Contactora, 3-Pole, 12A, 600V	ALL	024-34300-000	116967	1	38
502	Contactora 18.0A DC= AC=600V 50/60Hz N/A	ALL	024-34304-000	116970	1	38
503	Contactora 18.0A DC= AC=600V 50/60Hz N/A	ALL	024-34304-000	116970	1	38
504	Contractora, 32A, 110VAC Coil	17, 28	024-34306-000	107447	1	38
505	Contractora, 32A, 110VAC Coil	17, 28	024-34306-000	107447	1	38
600	Contactora,150Amp 3Pole	17, 28	024-34294-000	116965	1	38
	Contactora 115.0A DC= AC=600V 50/60Hz	40	024-37042-000	5393172	1	
	Contactora 80.0A DC= AC=110-120V 50/60Hz	46, 58	024-34310-000	116981	1	

TABLE 67 - POWER PANEL MODEL 200 LOW SOUND, ULTRA QUIET FANS (PIN 52=X, L, V OR M) SP SUPPLY TB (PIN 16 & 17= SX) (CONT'D)

ITEM	DESCRIPTION	VOLTAGE	PART NUMBER	SAP	QTY	FIGURE
600	Contactora,150Amp 3Pole	17, 28	024-34294-000	116965	1	38
	Contactora 115.0A DC= AC=600V 50/60Hz	40	024-37042-000	5393172	1	
	Contactora 80.0A DC= AC=110-120V 50/60Hz	46, 58	024-34310-000	116981	1	
601	Contactora,150Amp 3Pole	17, 28	024-34294-000	116965	1	38
	Contactora 115.0A DC= AC=600V 50/60Hz	40	024-37042-000	5393172	1	
	Contactora 80.0A DC= AC=110-120V 50/60Hz	46, 58	024-34310-000	116981	1	
602	Contactora,150Amp 3Pole	17, 28	024-34294-000	116965	1	38
	Contactora 115.0A DC= AC=600V 50/60Hz	40	024-37042-000	5393172	1	
	Contactora 80.0A DC= AC=110-120V 50/60Hz	46, 58	024-34310-000	116981	1	
603	Contactora,150Amp 3Pole	17, 28	024-34294-000	116965	1	38
	Contactora 115.0A DC= AC=600V 50/60Hz	40	024-37042-000	5393172	1	
	Contactora 80.0A DC= AC=110-120V 50/60Hz	46, 58	024-34310-000	116981	1	
604	Contactora,150Amp 3Pole	17, 28	024-34294-000	116965	1	38
	Contactora 115.0A DC= AC=600V 50/60Hz	40	024-37042-000	5393172	1	
	Contactora 80.0A DC= AC=110-120V 50/60Hz	46, 58	024-34310-000	116981	1	
605	Contactora,150Amp 3Pole	17, 28	024-34294-000	116965	1	38
	Contactora 115.0A DC= AC=600V 50/60Hz	40	024-37042-000	5393172	1	
	Contactora 80.0A DC= AC=110-120V 50/60Hz	46, 58	024-34310-000	116981	1	

TABLE 68 - POWER PANEL MODEL 230 LOW SOUND, ULTRA QUIET FANS (PIN 52=X, L, V OR M) SP SUPPLY TB (PIN 16 & 17= SX)

ITEM	DESCRIPTION	VOLTAGE	PART NUMBER	SAP	QTY	FIGURE
1	Power Back Panel	ALL	071-08132-000	5380989	1	39
4	Din Rail L=482.60Mm W=35.00Mm D=7.50Mm	ALL	071-05906-190	839884	2	39
5	Terminal, End Bracket	ALL	025-39406-000	739625	4	39
6	Ground Bar, 4-Pole	ALL	025-35685-000	5380956	4	39
28	Terminal Block P=3 22-10Awg	ALL	025-38103-000	5380957	1	39
100	3-Ph Jumpers, 6"	ALL	025-49367-010	5380960	2	39
210	Block, Term 3 Pole 600V	ALL	025-32536-000	919881	1	39
211	Cover, Distribution Block	17, 28	025-39397-000	5389645	3	39
212	Grnlug Cu-6-1/0	17, 28	025-34089-000	117639	6	39
	Ground Lug, Copper	46, 58	025-34088-000	117638		
213	Lug Wire 3/0Awg Contact Terminal 90.0Deg	17, 28	025-34085-000	901798	3	39
214	Circuit Breaker 1200.0A 600V 3Pole	ALL	024-37005-000	919075	1	39
215	Power Harness - Sp Disc	46, 58	025-49519-007	5393170	1	*
216	Surge Suppressor	46, 58	031-00808-000	618876	6	39
217	Ckt Brkr-Lug Kit - 4/0-500Mcm	17, 28	025-40832-000	1099847	1	39
218	115V Control Harness	17, 28	025-49458-000	5380963	1	See Table 83
219	Power Harness - Sp Disc	17, 28	025-49519-006	5393169	1	*
221	Clip-On Rc Circ.110-240V, D09-D38 & Cad	17, 28	031-02106-000	922180	6	*
223	Insulating Material S6/T6/S7/T7 Iso/T-Ma	17, 28	071-04351-003	5394398	1	39
300	Fuseholder 3 Pole 30Amp 600V	ALL	025-45048-003	826358	1	39
301	Fuse, Cartridge Type 30 Amp	ALL	025-39683-000	739699	3	39
302	Fuseholder 3 Pole 30Amp 600V	17, 28	025-45048-003	826358	1	39
303	Fuse, Cartridge Type 30 Amp	17, 28	025-39683-000	739699	3	39
304	Fuseholder 3 Pole 30Amp 600V	17, 28	025-45048-003	826358	1	39
305	Fuse, Cartridge Type 30 Amp	ALL	025-39683-000	739699	3	39
306	Fuseholder 3 Pole 30Amp 600V	ALL	025-45048-003	826358	1	39
307	Fuse, Cartridge Type 30 Amp	ALL	025-39683-000	739699	3	39
400	Relay 120 VAC 4No Din Rail AC=10.0A DC=	ALL	024-37045-000	917838	1	39
401	Relay 120 VAC 4No Din Rail AC=10.0A DC=	ALL	024-37045-000	917838	1	39
402	Relay 120 VAC 4No Din Rail AC=10.0A DC=	ALL	024-37045-000	917838	1	39
403	Surge Suppresor	ALL	031-02107-000	922201	3	39
500	Contactora, 3-Pole, 12A, 600V	ALL	024-34300-000	116967	1	39
501	Contactora, 3-Pole, 12A, 600V	ALL	024-34300-000	116967	1	39
502	Contactora 18.0A DC= AC=600V 50/60Hz N/A	ALL	024-34304-000	116970	1	39
503	Contactora 18.0A DC= AC=600V 50/60Hz N/A	ALL	024-34304-000	116970	1	39
504	Contractora, 32A, 110VAC Coil	17, 28	024-34306-000	107447	1	39
	Contactora 18.0A DC= AC=600V 50/60Hz N/A	46, 58	024-34304-000	116970	1	
505	Contractora, 32A, 110VAC Coil	17, 28	024-34306-000	107447	1	39
	Contactora 18.0A DC= AC=600V 50/60Hz N/A	46, 58	024-34304-000	116970	1	
600	Contactora 400.0A DC= AC=600V 50/60Hz N/A	17, 28	024-39898-000	5389872	1	39
	Contactora 115.0A DC= AC=600V 50/60Hz	46	024-37042-000	5393172		
	Contactora 80.0A DC= AC=110-120V 50/60Hz	58	024-34310-000	116981		

TABLE 68 - POWER PANEL MODEL 230 LOW SOUND, ULTRA QUIET FANS (PIN 52=X, L, V OR M) SP SUP-PLY TB (PIN 16 & 17= SX) (CONT'D)

ITEM	DESCRIPTION	VOLTAGE	PART NUMBER	SAP	QTY	FIGURE
601	Contactora 400.0A DC= AC=600V 50/60Hz N/A	17, 28	024-39898-000	5389872	1	39
	Contactora 115.0A DC= AC=600V 50/60Hz	46	024-37042-000	5393172		
	Contactora 80.0A DC= AC=110-120V 50/60Hz	58	024-34310-000	116981		
602	Contactora 400.0A DC= AC=600V 50/60Hz N/A	17, 28	024-39898-000	5389872	1	39
	Contactora 115.0A DC= AC=600V 50/60Hz	46	024-37042-000	5393172		
	Contactora 80.0A DC= AC=110-120V 50/60Hz	58	024-34310-000	116981		
603	Contactora 400.0A DC= AC=600V 50/60Hz N/A	17, 28	024-39898-000	5389872	1	39
	Contactora 115.0A DC= AC=600V 50/60Hz	46	024-37042-000	5393172		
	Contactora 80.0A DC= AC=110-120V 50/60Hz	58	024-34310-000	116981		
604	Contactora 400.0A DC= AC=600V 50/60Hz N/A	17, 28	024-39898-000	5389872	1	39
	Contactora 115.0A DC= AC=600V 50/60Hz	46	024-37042-000	5393172		
	Contactora 80.0A DC= AC=110-120V 50/60Hz	58	024-34310-000	116981		
605	Contactora 400.0A DC= AC=600V 50/60Hz N/A	17, 28	024-39898-000	5389872	1	39
	Contactora 115.0A DC= AC=600V 50/60Hz	46	024-37042-000	5393172		
	Contactora 80.0A DC= AC=110-120V 50/60Hz	58	024-34310-000	116981		

TABLE 69 - POWER PANEL MODEL 200 HIGH AIR FLOW (PIN 52=G) SP SUPPLY TB (PIN 16 & 17= SX)

ITEM	DESCRIPTION	VOLTAGE	PART NUMBER	SAP	QTY	FIGURE
1	Power Back Panel	40	071-08132-000	5380989	1	40
4	Din rail l=381.00Mm w=35.00Mm d=7.50Mm	40	071-05906-150	839877	4	40
5	Terminal, end bracket	40	025-39406-000	739625	20	40
6	Ground bar, 4-pole	40	025-35685-000	5380956	4	40
23	Fan Bracket	40	071-08154-000	5389690	2	*
27	Edge guard 75-1/8-b-3-alum #	40	026-50301-000	5389691	2	*
28	Terminal block p=3 22-10awg	40	025-38103-000	5380957	1	40
121	Top cover for terminal block	40	025-49625-000	5391066	1	40
122	Power distribution block 3 pole, 175a	40	025-49624-000	5389729	1	40
123	Top cover for terminal block	40	025-49625-000	5391066	1	40
124	Power distribution block 3 pole, 175a	40	025-49624-000	5389729	1	40
202	Block, term 3 pole 600v	40, 46	025-32536-000	919881	1	40
203	Ground lug, copper	40	025-34086-000	5389656	2	40
	Lug wire 3/0awg contact terminal 90.0Deg	46	025-34085-000	901798	2	40
204	Ground lug, copper	40, 46	025-34088-000	117638	6	40
205	Cover, distribution block	40, 46	025-39397-000	5389645	3	40
207	Power Harness	40	025-49484-004	5389847	1	*
	Power Harness	46	025-49497-016	5389849	1	
208	115V Control Harness	40, 46	025-49495-000	5389704	1	See Table 83
209	115V Cont Add-On Harness	40, 46	025-49496-004	5389728	1	*
210	115V Cont Add-On Harness	40, 46	025-49496-008	5389848	1	*
211	Surge suppressor	40	031-00808-000	618876	6	40
212	Clip-on rc circ.110-240V, d09-d38 & cad	40	031-02106-000	922180	12	*
300	Fuseholder 3 pole 30amp 600v	40	025-45048-003	826358	1	40
301	Fuse type=classcc 17.50A 600v time delay	40	025-49627-000	5389686	3	40
302	Fuseholder 3 pole 30amp 600v	40	025-45048-003	826358	1	40
303	Fuse type=classcc 17.50A 600v time delay	40	025-49627-000	5389686	3	40
304	Fuseholder 3 pole 30amp 600v	40	025-45048-003	826358	1	40
305	Fuse type=classcc 17.50A 600v time delay	40	025-49627-000	5389686	3	40
306	Fuseholder 3 pole 30amp 600v	40	025-45048-003	826358	1	40
307	Fuse type=classcc 17.50A 600v time delay	40	025-49627-000	5389686	3	40
308	Fuseholder 3 pole 30amp 600v	40	025-45048-003	826358	1	40
309	Fuse type=classcc 17.50A 600v time delay	40	025-49627-000	5389686	3	40
310	Fuseholder 3 pole 30amp 600v	40	025-45048-003	826358	1	40
311	Fuse type=classcc 17.50A 600v time delay	40	025-49627-000	5389686	3	40
400	Relay 120 vac 4no din rail ac=10.0A dc=	40	024-37045-000	917838	1	40
401	Relay 120 vac 4no din rail ac=10.0A dc=	40	024-37045-000	917838	1	40
402	Relay 120 vac 4no din rail ac=10.0A dc=	40	024-37045-000	917838	1	40
403	Surge suppressor	40	031-02107-000	922201	3	40
500	Contactora, 3-pole, 12a, 600v	40	024-34300-000	116967	1	40
501	Contactora, 3-pole, 12a, 600v	40	024-34300-000	116967	1	40
502	Contactora, 3-pole, 12a, 600v	40	024-34300-000	116967	1	40
503	Contactora, 3-pole, 12a, 600v	40	024-34300-000	116967	1	40
504	Contactora, 3-pole, 12a, 600v	40	024-34300-000	116967	1	40

**TABLE 69 - POWER PANEL MODEL 200 HIGH AIR FLOW (PIN 52=G) SP SUPPLY TB (PIN 16 & 17=SX)
 (CONT'D)**

ITEM	DESCRIPTION	VOLTAGE	PART NUMBER	SAP	QTY	FIGURE
505	Contactora, 3-pole, 12a, 600v	40	024-34300-000	116967	1	40
506	Contactora, 3-pole, 12a, 600v	40	024-34300-000	116967	1	40
507	Contactora, 3-pole, 12a, 600v	40	024-34300-000	116967	1	40
508	Contactora, 3-pole, 12a, 600v	40	024-34300-000	116967	1	40
509	Contactora, 3-pole, 12a, 600v	40	024-34300-000	116967	1	40
510	Contactora, 3-pole, 12a, 600v	40	024-34300-000	116967	1	40
511	Contactora, 3-pole, 12a, 600v	40	024-34300-000	116967	1	40
600	Contactora 115.0A dc= ac=600v 50/60hz	40	024-37042-000	5393172	1	40
	Contactora 80.0A dc= ac=110-120v 50/60hz	46	024-34310-000	116981	1	
601	Contactora 115.0A dc= ac=600v 50/60hz	40	024-37042-000	5393172	1	40
	Contactora 80.0A dc= ac=110-120v 50/60hz	46	024-34310-000	116981	1	
602	Contactora 115.0A dc= ac=600v 50/60hz	40	024-37042-000	5393172	1	40
	Contactora 80.0A dc= ac=110-120v 50/60hz	46	024-34310-000	116981	1	
603	Contactora 115.0A dc= ac=600v 50/60hz	40	024-37042-000	5393172	1	40
	Contactora 80.0A dc= ac=110-120v 50/60hz	46	024-34310-000	116981	1	
604	Contactora 115.0A dc= ac=600v 50/60hz	40	024-37042-000	5393172	1	40
	Contactora 80.0A dc= ac=110-120v 50/60hz	46	024-34310-000	116981	1	
605	Contactora 115.0A dc= ac=600v 50/60hz	40	024-37042-000	5393172	1	40
	Contactora 80.0A dc= ac=110-120v 50/60hz	46	024-34310-000	116981	1	

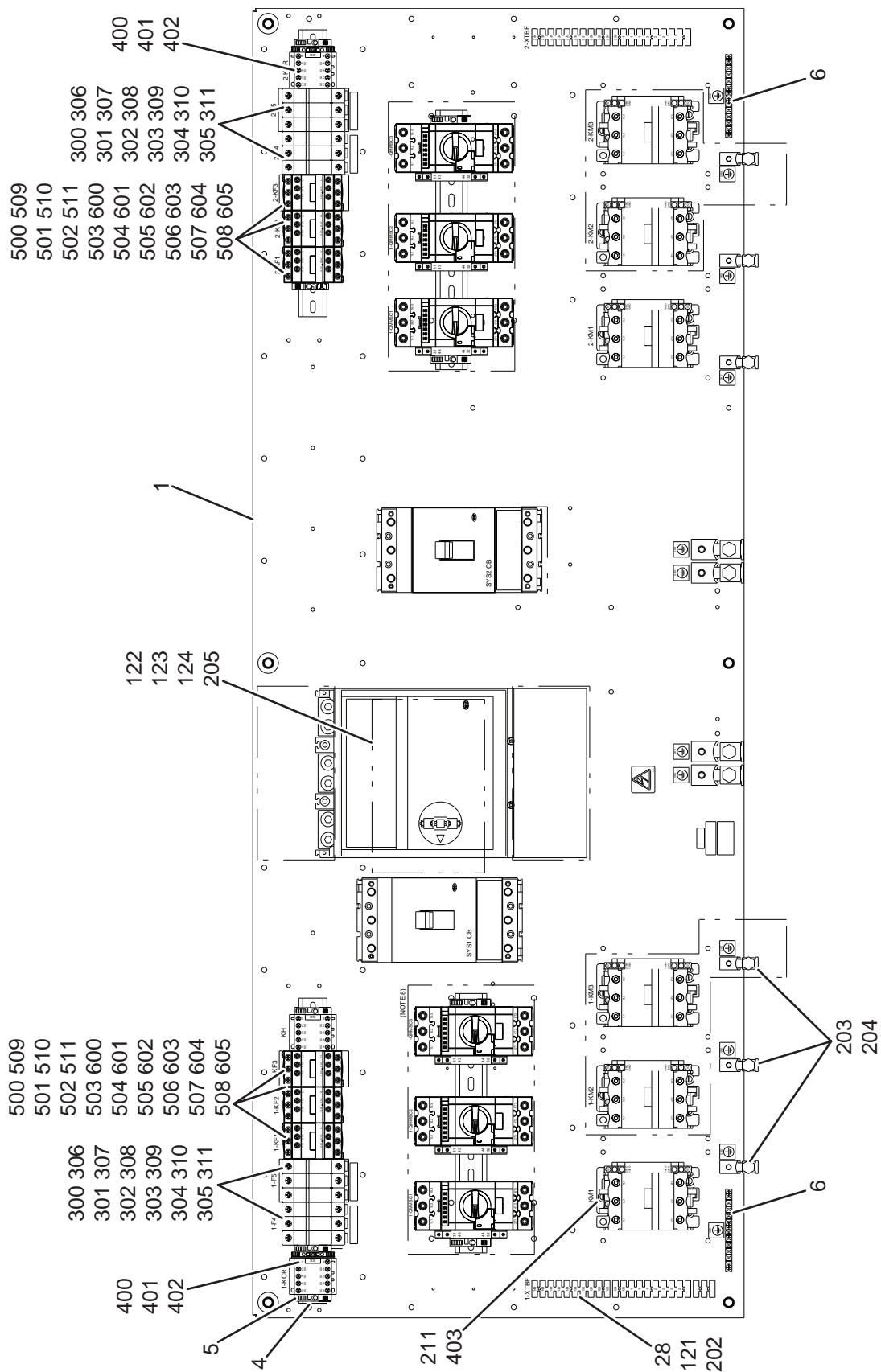


FIGURE 40 - POWER PANEL MODEL 200 HIGH AIR FLOW (PIN 52=G) SP SUPPLY TB (PIN 16 & 17= SX)

LD23175

TABLE 70 - POWER PANEL MODEL 230 HIGH AIR FLOW (PIN 52=G) SP SUPPLY TB (PIN 16 & 17= SX)

ITEM	DESCRIPTION	PART NUMBER	SAP	QTY	FIGURE
1	Power Back Panel	071-08132-000	5380989	1	41
4	Din Rail L=381.00Mm W=35.00Mm D=7.50Mm	071-05906-150	839877	4	41
5	Terminal, End Bracket	025-39406-000	739625	20	41
6	Ground Bar, 4-Pole	025-35685-000	5380956	4	41
23	Fan Bracket	071-08154-000	5389690	2	*
27	Edge Guard 75-1/8-B-3-Alum #	026-50301-000	5389691	2	*
28	Terminal Block P=3 22-10Awg	025-38103-000	5380957	1	41
121	Top Cover For Terminal Block	025-49625-000	5391066	1	41
122	Power Distribution Block 3 Pole, 175A	025-49624-000	5389729	1	41
123	Top Cover For Terminal Block	025-49625-000	5391066	1	41
124	Power Distribution Block 3 Pole, 175A	025-49624-000	5389729	1	41
210	Block, Term 3 Pole 600V	025-32536-000	919881	1	41
211	Cover, Distribution Block	025-39397-000	5389645	3	41
214	115V Control Harness	025-49495-000	5389704	1	See Table 83
215	115V Cont Add-On Harness	025-49496-004	5389728	1	*
216	115V Cont Add-On Harness	025-49496-008	5389848	1	*
217	Pwr Harness	025-49519-010	5462618	1	*
218	Surge Suppressor	031-00808-000	618876	6	41
219	Clip-On Rc Circ.110-240V, D09-D38 & Cad	031-02106-000	922180	12	*
300	Fuseholder 3 Pole 30Amp 600V	025-45048-003	826358	1	41
301	Fuse, Cartridge Type 15 Amp	025-34141-000	739008	3	41
302	Fuseholder 3 Pole 30Amp 600V	025-45048-003	826358	1	41
303	Fuse, Cartridge Type 15 Amp	025-34141-000	739008	3	41
304	Fuseholder 3 Pole 30Amp 600V	025-45048-003	826358	1	41
305	Fuse, Cartridge Type 15 Amp	025-34141-000	739008	3	41
306	Fuseholder 3 Pole 30Amp 600V	025-45048-003	826358	1	41
307	Fuse, Cartridge Type 15 Amp	025-34141-000	739008	3	41
308	Fuseholder 3 Pole 30Amp 600V	025-45048-003	826358	1	41
309	Fuse, Cartridge Type 15 Amp	025-34141-000	739008	3	41
310	Fuseholder 3 Pole 30Amp 600V	025-45048-003	826358	1	41
311	Fuse, Cartridge Type 15 Amp	025-34141-000	739008	3	41
400	Relay 120 VAC 4No Din Rail AC=10.0A DC=	024-37045-000	917838	1	41
401	Relay 120 VAC 4No Din Rail AC=10.0A DC=	024-37045-000	917838	1	41
402	Relay 120 VAC 4No Din Rail AC=10.0A DC=	024-37045-000	917838	1	41
403	Surge Suppressor	031-02107-000	922201	3	41
500	Contactor, 3-Pole, 12A, 600V	024-34300-000	116967	1	41
501	Contactor, 3-Pole, 12A, 600V	024-34300-000	116967	1	41
502	Contactor, 3-Pole, 12A, 600V	024-34300-000	116967	1	41
503	Contactor, 3-Pole, 12A, 600V	024-34300-000	116967	1	41
504	Contactor, 3-Pole, 12A, 600V	024-34300-000	116967	1	41
505	Contactor, 3-Pole, 12A, 600V	024-34300-000	116967	1	41
506	Contactor, 3-Pole, 12A, 600V	024-34300-000	116967	1	41
507	Contactor, 3-Pole, 12A, 600V	024-34300-000	116967	1	41
508	Contactor, 3-Pole, 12A, 600V	024-34300-000	116967	1	41

**TABLE 70 - POWER PANEL MODEL 230 HIGH AIR FLOW (PIN 52=G) SP SUPPLY TB (PIN 16 & 17= SX)
 (CONT'D)**

ITEM	DESCRIPTION	PART NUMBER	SAP	QTY	FIGURE
509	Contactora, 3-Pole, 12A, 600V	024-34300-000	116967	1	41
510	Contactora, 3-Pole, 12A, 600V	024-34300-000	116967	1	41
511	Contactora, 3-Pole, 12A, 600V	024-34300-000	116967	1	41
600	Contactora 115.0A DC= AC=600V 50/60Hz	024-37042-000	5393172	1	41
601	Contactora 115.0A DC= AC=600V 50/60Hz	024-37042-000	5393172	1	41
602	Contactora 115.0A DC= AC=600V 50/60Hz	024-37042-000	5393172	1	41
603	Contactora 115.0A DC= AC=600V 50/60Hz	024-37042-000	5393172	1	41
604	Contactora 115.0A DC= AC=600V 50/60Hz	024-37042-000	5393172	1	41
605	Contactora 115.0A DC= AC=600V 50/60Hz	024-37042-000	5393172	1	41

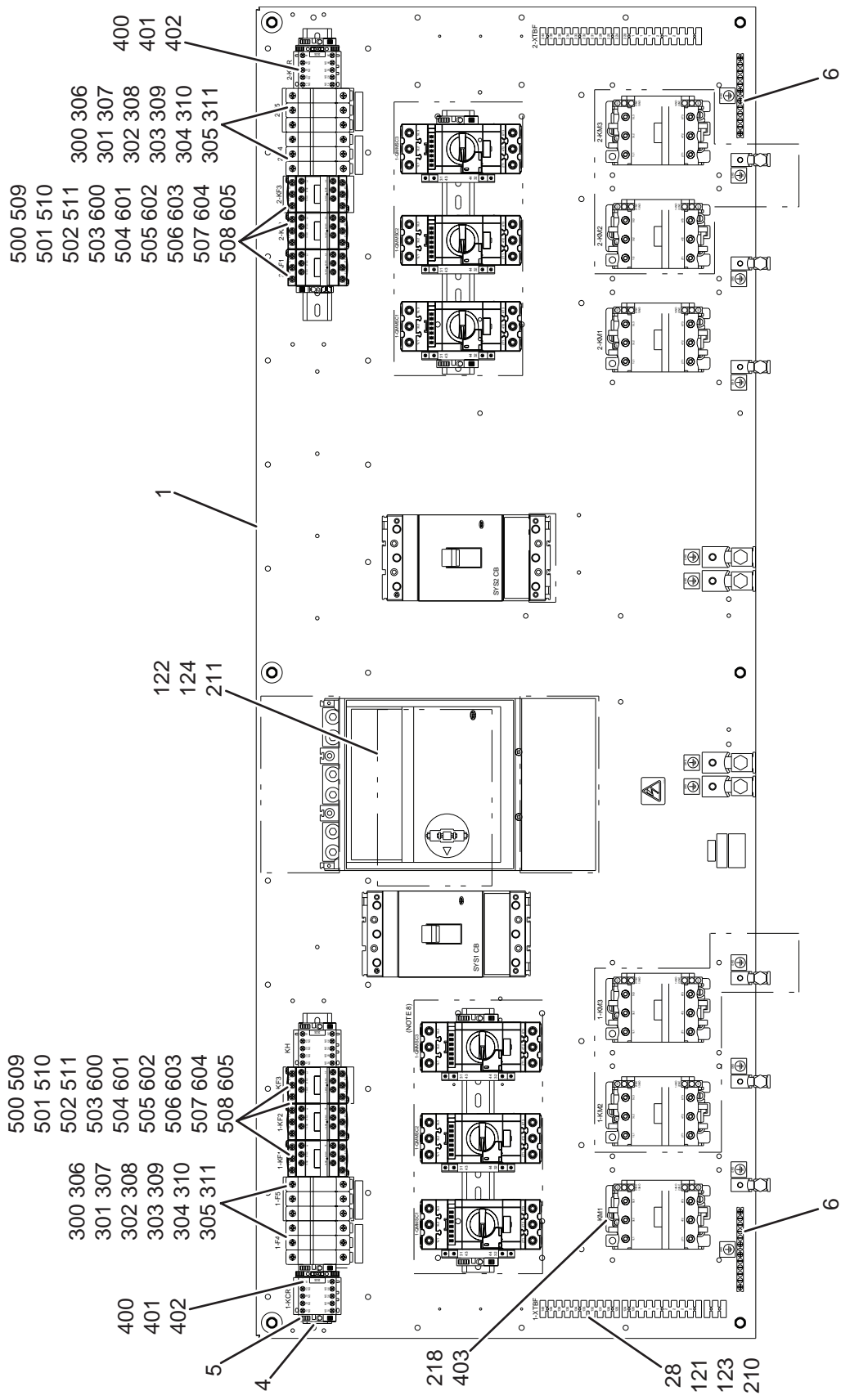


FIGURE 41 - POWER PANEL MODEL 230 HIGH AIR FLOW (PIN 52=G) SP SUPPLY TB (PIN 16 & 17= SX)

LD23176

TABLE 71 - POWER PANEL MODEL 200 LOW SOUND, ULTRA QUIET FANS (PIN 52=X, L, V OR M) SP NF DISCONNECT SWITCH (PIN 16 & 17=SD)

ITEM	DESCRIPTION	VOLTAGE	PART NUMBER	SAP	QTY	FIGURE
1	Power Back Panel	ALL	071-08132-000	5380989	1	42
4	Din Rail L=482.60Mm W=35.00Mm D=7.50Mm	ALL	071-05906-190	839884	2	42
5	Terminal, End Bracket	ALL	025-39406-000	739625	4	42
6	Ground Bar, 4-Pole	ALL	025-35685-000	5380956	4	42
28	Terminal Block P=3 22-10Awg	ALL	025-38103-000	5380957	1	42
100	3-Ph Jumpers, 6"	ALL	025-49367-010	5380960	2	42
201	Switch, Disconnect 400A	58	024-37498-000	919692	1	42
	Switch Disconnect 600 A	40, 46	024-37499-000	927963	1	
	Switch, Disconnect 400A	58	024-37498-000	919692	1	
208	Ground Lug, Copper	40, 58	025-34088-000	117638	6	42
208a	Kit For Cb Handle	58	029-23477-000	5391068	1	42
210	Lug Kit Circuit Breaker	40, 46	025-34414-000	117667	1	42
210a	Lug Kit For Cb Handle	40, 46	025-34415-000	117668	1	42
		58	025-40825-000	920251	1	
		58	025-40826-000	920252	1	
211	Circuit Breaker 1200.0A 600V 3Pole	17, 28	024-37005-000	919075	1	42
212	Shaft, Operator, 8.9"/225Mm	17, 28, 46	024-37047-000	1044633	1	42
212a	Handle Circuit Breaker	40, 46	025-35697-000	53441	1	42
213	Handle Variable Depth T7	17, 28	024-37560-000	927967	1	42
	Handle Variable Depth T6	40, 46	024-37559-000	927966	1	
214	Lug Wire 3/0Awg Contact Terminal 90.0Deg	17, 28	025-34085-000	901798	3	42
215	Grnlug Cu-6-1/0	ALL	025-34089-000	117639	6	42
	Ground Lug, Copper	40, 46, 58	025-34088-000	117638	6	42
216	Handle Circuit Breaker	17, 28	025-37655-000	117957	1	42
217	Ckt Brkr-Lug Kit - 4/0-500Mcm	17, 28	025-40832-000	1099847	1	42
218	115V Control Harness	ALL	025-49458-000	5380963	1	See Table 83
219	Power Harness - Sp Disc	17, 28, 58	025-49519-005	5380966	1	See Table 83
	Power Harness - Sp Disc	40	025-49519-002	5389651	1	
	Power Harness - Sp Disc	46	025-49519-003	5380965	1	
220	Surge Suppressor	ALL	031-00808-000	618876	6	42
221	Clip-On Rc Circ.110-240V, D09-D38 & Cad	ALL	031-02106-000	922180	6	*
223	Insulating Material S6/T6/S7/T7 Iso/T-Ma	ALL	071-04351-003	5394398	1	42
300	Fuseholder 3 Pole 30Amp 600V	ALL	025-45048-003	826358	1	42
301	Fuse, Cartridge Type 30 Amp	ALL	025-39683-000	739699	3	42
302	Fuseholder 3 Pole 30Amp 600V	ALL	025-45048-003	826358	1	42
303	Fuse, Cartridge Type 30 Amp	17, 28	025-39683-000	739699	3	42
304	Fuseholder 3 Pole 30Amp 600V	ALL	025-45048-003	826358	1	42
305	Fuse, Cartridge Type 30 Amp	ALL	025-39683-000	739699	3	42
306	Fuseholder 3 Pole 30Amp 600V	ALL	025-45048-003	826358	1	42
307	Fuse, Cartridge Type 30 Amp	17, 28	025-39683-000	739699	3	42
400	Relay 120 VAC 4No Din Rail AC=10.0A DC=	ALL	024-37045-000	917838	1	42
401	Relay 120 VAC 4No Din Rail AC=10.0A DC=	ALL	024-37045-000	917838	1	42
402	Relay 120 VAC 4No Din Rail AC=10.0A DC=	ALL	024-37045-000	917838	1	42

TABLE 71 - POWER PANEL MODEL 200 LOW SOUND, ULTRA QUIET FANS (PIN 52=X, L, V OR M) SP NF DISCONNECT SWITCH (PIN 16 & 17=SD) (CONT'D)

ITEM	DESCRIPTION	VOLTAGE	PART NUMBER	SAP	QTY	FIGURE
403	Surge Suppressor	ALL	031-02107-000	922201	3	42
500	Contactora, 3-Pole, 12A, 600V	ALL	024-34300-000	116967	1	42
501	Contactora, 3-Pole, 12A, 600V	ALL	024-34300-000	116967	1	42
502	Contactora 18.0A DC= AC=600V 50/60Hz N/A	17, 28	024-34304-000	116970	1	42
503	Contactora 18.0A DC= AC=600V 50/60Hz N/A	17, 28	024-34304-000	116970	1	42
504	Contractora, 32A, 110VAC Coil	17, 28	024-34306-000	107447	1	42
	Contactora 18.0A DC= AC=600V 50/60Hz N/A	40	024-34304-000	116970	1	
505	Contractora, 32A, 110VAC Coil	17, 28	024-34306-000	107447	1	42
	Contactora 18.0A DC= AC=600V 50/60Hz N/A	40	024-34304-000	116970	1	
600	Contactora,150Amp 3Pole	17, 28	024-34294-000	116965	1	42
	Contactora 115.0A DC= AC=600V 50/60Hz	40	024-37042-000	5393172	1	
	Contactora 80.0A DC= AC=110-120V 50/60Hz	46, 58	024-34310-000	116981	1	
601	Contactora,150Amp 3Pole	17, 28	024-34294-000	116965	1	42
	Contactora 115.0A DC= AC=600V 50/60Hz	40	024-37042-000	5393172	1	
	Contactora 80.0A DC= AC=110-120V 50/60Hz	46, 58	024-34310-000	116981	1	
602	Contactora,150Amp 3Pole	17, 28	024-34294-000	116965	1	42
	Contactora 115.0A DC= AC=600V 50/60Hz	40	024-37042-000	5393172	1	
	Contactora 80.0A DC= AC=110-120V 50/60Hz	46, 58	024-34310-000	116981	1	
603	Contactora,150Amp 3Pole	17, 28	024-34294-000	116965	1	42
	Contactora 115.0A DC= AC=600V 50/60Hz	40	024-37042-000	5393172	1	
	Contactora 80.0A DC= AC=110-120V 50/60Hz	46, 58	024-34310-000	116981	1	
604	Contactora,150Amp 3Pole	17, 28	024-34294-000	116965	1	42
	Contactora 115.0A DC= AC=600V 50/60Hz	40	024-37042-000	5393172	1	
	Contactora 80.0A DC= AC=110-120V 50/60Hz	46, 58	024-34310-000	116981	1	
605	Contactora,150Amp 3Pole	17, 28	024-34294-000	116965	1	42
	Contactora 115.0A DC= AC=600V 50/60Hz	40	024-37042-000	5393172	1	
	Contactora 80.0A DC= AC=110-120V 50/60Hz	46, 58	024-34310-000	116981	1	

TABLE 72 - POWER PANEL MODEL 230 LOW SOUND, ULTRA QUIET FANS (PIN 52=X, L, V OR M) SP NF DISCONNECT SWITCH (PIN 16 & 17=SD)

ITEM	DESCRIPTION	VOLTAGE	PART NUMBER	SAP	QTY	FIGURE
1	Power Back Panel	ALL	071-08132-000	5380989	1	43
4	Din Rail L=482.60Mm W=35.00Mm D=7.50Mm	ALL	071-05906-190	839884	2	43
5	Terminal, End Bracket	ALL	025-39406-000	739625	4	43
6	Ground Bar, 4-Pole	ALL	025-35685-000	5380956	4	43
28	Terminal Block P=3 22-10Awg	ALL	025-38103-000	5380957	1	43
100	3-Ph Jumpers, 6"	ALL	025-49367-010	5380960	2	43
211	Circuit Breaker 1200.0A 600V 3Pole	ALL	024-37005-000	919075	1	43
212	Shaft, Operator, 8.9"/225Mm	ALL	024-37047-000	1044633	1	43
213	Handle Variable Depth T7	17, 28	024-37560-000	927967	1	43
	Handle Variable Depth T6	40	024-37559-000	927966	1	
214	Lug Wire 3/0Awg Contact Terminal 90.0Deg	ALL	025-34085-000	901798	3	43
215	Grnlug Cu-6-1/0	17, 28	025-34089-000	117639	6	43
	Ground Lug, Copper	40	025-34088-000	117638	6	
215a	Switch Disconnect 600 A	40	024-37499-000	927963	1	43
216	Handle Circuit Breaker	ALL	025-37655-000	117957	1	43
217	Ckt Brkr-Lug Kit - 4/0-500Mcm	17, 28	025-40832-000	1099847	1	43
	Lug Kit Circuit Breaker	40	025-34414-000	117667	1	
218	115V Control Harness	ALL	025-49458-000	5380963	1	See Table 83
219	Power Harness - Sp Disc	17, 28	025-49519-006	5393169	1	*
		40	025-49519-007	5393170	1	
220	Surge Suppressor	ALL	031-00808-000	618876	6	43
220a	Lug Kit For Cb Handle	40	025-34415-000	117668	1	43
221	Clip-On Rc Circ.110-240V, D09-D38 & Cad	ALL	031-02106-000	922180	6	*
221a	Handle Circuit Breaker	40	025-35697-000	53441	1	43
223	Insulating Material S6/T6/S7/T7 Iso/T-Ma	ALL	071-04351-003	5394398	1	43
300	Fuseholder 3 Pole 30Amp 600V	ALL	025-45048-003	826358	1	43
301	Fuse, Cartridge Type 30 Amp	ALL	025-39683-000	739699	3	43
302	Fuseholder 3 Pole 30Amp 600V	ALL	025-45048-003	826358	1	43
303	Fuse, Cartridge Type 30 Amp	ALL	025-39683-000	739699	3	43
304	Fuseholder 3 Pole 30Amp 600V	ALL	025-45048-003	826358	1	43
305	Fuse, Cartridge Type 30 Amp	ALL	025-39683-000	739699	3	43
306	Fuseholder 3 Pole 30Amp 600V	ALL	025-45048-003	826358	1	43
307	Fuse, Cartridge Type 30 Amp	ALL	025-39683-000	739699	3	43
400	Relay 120 VAC 4No Din Rail AC=10.0A DC=	ALL	024-37045-000	917838	1	43
401	Relay 120 VAC 4No Din Rail AC=10.0A DC=	ALL	024-37045-000	917838	1	43
402	Relay 120 VAC 4No Din Rail AC=10.0A DC=	ALL	024-37045-000	917838	1	43
403	Surge Suppresor	ALL	031-02107-000	922201	3	43
500	Contactora, 3-Pole, 12A, 600V	ALL	024-34300-000	116967	1	43
501	Contactora, 3-Pole, 12A, 600V	ALL	024-34300-000	116967	1	43
502	Contactora 18.0A DC= AC=600V 50/60Hz N/A	ALL	024-34304-000	116970	1	43
503	Contactora 18.0A DC= AC=600V 50/60Hz N/A	ALL	024-34304-000	116970	1	43
504	Contractora, 32A, 110VAC Coil	17, 28	024-34306-000	107447	1	43
505	Contractora, 32A, 110VAC Coil	17, 28	024-34306-000	107447	1	43

TABLE 72 - POWER PANEL MODEL 230 LOW SOUND, ULTRA QUIET FANS (PIN 52=X, L, V OR M) SP NF DISCONNECT SWITCH (PIN 16 & 17=SD) (CONT'D)

ITEM	DESCRIPTION	VOLTAGE	PART NUMBER	SAP	QTY	FIGURE
600	Contactora 400.0A DC= AC=600V 50/60Hz N/A	17, 28	024-39898-000	5389872	1	43
	Contactora 115.0A DC= AC=600V 50/60Hz	40	024-37042-000	5393172	1	
601	Contactora 400.0A DC= AC=600V 50/60Hz N/A	17, 28	024-39898-000	5389872	1	43
	Contactora 115.0A DC= AC=600V 50/60Hz	40	024-37042-000	5393172	1	
602	Contactora 400.0A DC= AC=600V 50/60Hz N/A	17, 28	024-39898-000	5389872	1	43
	Contactora 115.0A DC= AC=600V 50/60Hz	40	024-37042-000	5393172	1	
603	Contactora 400.0A DC= AC=600V 50/60Hz N/A	17, 28	024-39898-000	5389872	1	43
	Contactora 115.0A DC= AC=600V 50/60Hz	40	024-37042-000	5393172	1	
604	Contactora 400.0A DC= AC=600V 50/60Hz N/A	17, 28	024-39898-000	5389872	1	43
	Contactora 115.0A DC= AC=600V 50/60Hz	40	024-37042-000	5393172	1	
605	Contactora 400.0A DC= AC=600V 50/60Hz N/A	17, 28	024-39898-000	5389872	1	43
	Contactora 115.0A DC= AC=600V 50/60Hz	40	024-37042-000	5393172	1	

TABLE 73 - POWER PANEL MODEL 200 HIGH AIR FLOW (PIN 52=G) SP NF DISCONNECT SWITCH (PIN 16 & 17=SD)

ITEM	DESCRIPTION	VOLTAGE	PART NUMBER	SAP	QTY	FIGURE
1	Power Back Panel	ALL	071-08132-000	5380989	1	44
4	Din Rail L=381.00Mm W=35.00Mm D=7.50Mm	ALL	071-05906-150	839877	4	44
5	Terminal, End Bracket	ALL	025-39406-000	739625	20	44
6	Ground Bar, 4-Pole	ALL	025-35685-000	5380956	4	44
23	Fan Bracket	ALL	071-08154-000	5389690	2	*
27	Edge Guard 75-1/8-B-3-Alum #	ALL	026-50301-000	5389691	2	*
28	Terminal Block P=3 22-10Awg	ALL	025-38103-000	5380957	1	44
121	Top Cover For Terminal Block	ALL	025-49625-000	5391066	1	44
122	Power Distribution Block 3 Pole, 175A	ALL	025-49624-000	5389729	1	44
123	Top Cover For Terminal Block	ALL	025-49625-000	5391066	1	44
124	Power Distribution Block 3 Pole, 175A	ALL	025-49624-000	5389729	1	44
205	Shaft, Operator, 8.9"/225Mm	ALL	024-37047-000	1044633	1	44
206	Switch Disconnect 600 A	ALL	024-37499-000	927963	1	44
207	Handle Variable Depth T6	ALL	024-37559-000	927966	1	44
208	Ground Lug, Copper	40	025-34086-000	5389656	2	44
	Lug Wire 3/0Awg Contact Terminal 90.0Deg	46	025-34085-000	901798	2	
209	Ground Lug, Copper	ALL	025-34088-000	117638	6	44
210	Lug Kit Circuit Breaker	ALL	025-34414-000	117667	1	44
211	Lug Kit For Cb Handle	ALL	025-34415-000	117668	1	44
212	Handle Circuit Breaker	ALL	025-35697-000	53441	1	44
213	Power Harness	40	025-49484-004	5389847	1	*
	Power Harness	46	025-49497-016	5389849	1	
214	115V Control Harness	ALL	025-49495-000	5389704	1	See Table 83
215	115V Cont Add-On Harness	ALL	025-49496-004	5389728	1	*
216	115V Cont Add-On Harness	ALL	025-49496-008	5389848	1	*
217	Surge Suppressor	ALL	031-00808-000	618876	6	44
218	Clip-On Rc Circ.110-240V, D09-D38 & Cad	ALL	031-02106-000	922180	12	*
221	Insulating Material S6/T6/S7/T7 Iso/T-Ma	ALL	071-04351-003	5394398	1	44
300	Fuseholder 3 Pole 30Amp 600V	ALL	025-45048-003	826358	1	44
301	Fuse Type=Classcc 17.50A 600V Time Delay	ALL	025-49627-000	5389686	3	44
302	Fuseholder 3 Pole 30Amp 600V	ALL	025-45048-003	826358	1	44
303	Fuse Type=Classcc 17.50A 600V Time Delay	ALL	025-49627-000	5389686	3	44
304	Fuseholder 3 Pole 30Amp 600V	ALL	025-45048-003	826358	1	44
305	Fuse Type=Classcc 17.50A 600V Time Delay	ALL	025-49627-000	5389686	3	44
306	Fuseholder 3 Pole 30Amp 600V	ALL	025-45048-003	826358	1	44
307	Fuse Type=Classcc 17.50A 600V Time Delay	ALL	025-49627-000	5389686	3	44
308	Fuseholder 3 Pole 30Amp 600V	ALL	025-45048-003	826358	1	44
309	Fuse Type=Classcc 17.50A 600V Time Delay	ALL	025-49627-000	5389686	3	44
310	Fuseholder 3 Pole 30Amp 600V	ALL	025-45048-003	826358	1	44
311	Fuse Type=Classcc 17.50A 600V Time Delay	ALL	025-49627-000	5389686	3	44
400	Relay 120 Vac 4No Din Rail Ac=10.0A Dc=	ALL	024-37045-000	917838	1	44
401	Relay 120 Vac 4No Din Rail Ac=10.0A Dc=	ALL	024-37045-000	917838	1	44
402	Relay 120 Vac 4No Din Rail Ac=10.0A Dc=	ALL	024-37045-000	917838	1	44

TABLE 73 - POWER PANEL MODEL 200 HIGH AIR FLOW (PIN 52=G) SP NF DISCONNECT SWITCH (PIN 16 & 17=SD) (CONT'D)

ITEM	DESCRIPTION	VOLTAGE	PART NUMBER	SAP	QTY	FIGURE
403	Surge Suppressor	ALL	031-02107-000	922201	3	44
500	Contactora, 3-Pole, 12A, 600V	ALL	024-34300-000	116967	1	44
501	Contactora, 3-Pole, 12A, 600V	ALL	024-34300-000	116967	1	44
502	Contactora, 3-Pole, 12A, 600V	ALL	024-34300-000	116967	1	44
503	Contactora, 3-Pole, 12A, 600V	ALL	024-34300-000	116967	1	44
504	Contactora, 3-Pole, 12A, 600V	ALL	024-34300-000	116967	1	44
505	Contactora, 3-Pole, 12A, 600V	ALL	024-34300-000	116967	1	44
506	Contactora, 3-Pole, 12A, 600V	ALL	024-34300-000	116967	1	44
507	Contactora, 3-Pole, 12A, 600V	ALL	024-34300-000	116967	1	44
508	Contactora, 3-Pole, 12A, 600V	ALL	024-34300-000	116967	1	44
509	Contactora, 3-Pole, 12A, 600V	ALL	024-34300-000	116967	1	44
510	Contactora, 3-Pole, 12A, 600V	ALL	024-34300-000	116967	1	44
511	Contactora, 3-Pole, 12A, 600V	ALL	024-34300-000	116967	1	44
600	Contactora 115.0A Dc= Ac=600V 50/60Hz	40	024-37042-000	5393172	1	44
	Contactora 80.0A Dc= Ac=110-120V 50/60Hz	46	024-34310-000	116981	1	
601	Contactora 115.0A Dc= Ac=600V 50/60Hz	40	024-37042-000	5393172	1	44
	Contactora 80.0A Dc= Ac=110-120V 50/60Hz	46	024-34310-000	116981	1	
602	Contactora 115.0A Dc= Ac=600V 50/60Hz	40	024-37042-000	5393172	1	44
	Contactora 80.0A Dc= Ac=110-120V 50/60Hz	46	024-34310-000	116981	1	
603	Contactora 115.0A Dc= Ac=600V 50/60Hz	40	024-37042-000	5393172	1	44
	Contactora 80.0A Dc= Ac=110-120V 50/60Hz	46	024-34310-000	116981	1	
604	Contactora 115.0A Dc= Ac=600V 50/60Hz	40	024-37042-000	5393172	1	44
	Contactora 80.0A Dc= Ac=110-120V 50/60Hz	46	024-34310-000	116981	1	
605	Contactora 115.0A Dc= Ac=600V 50/60Hz	40	024-37042-000	5393172	1	44
	Contactora 80.0A Dc= Ac=110-120V 50/60Hz	46	024-34310-000	116981	1	

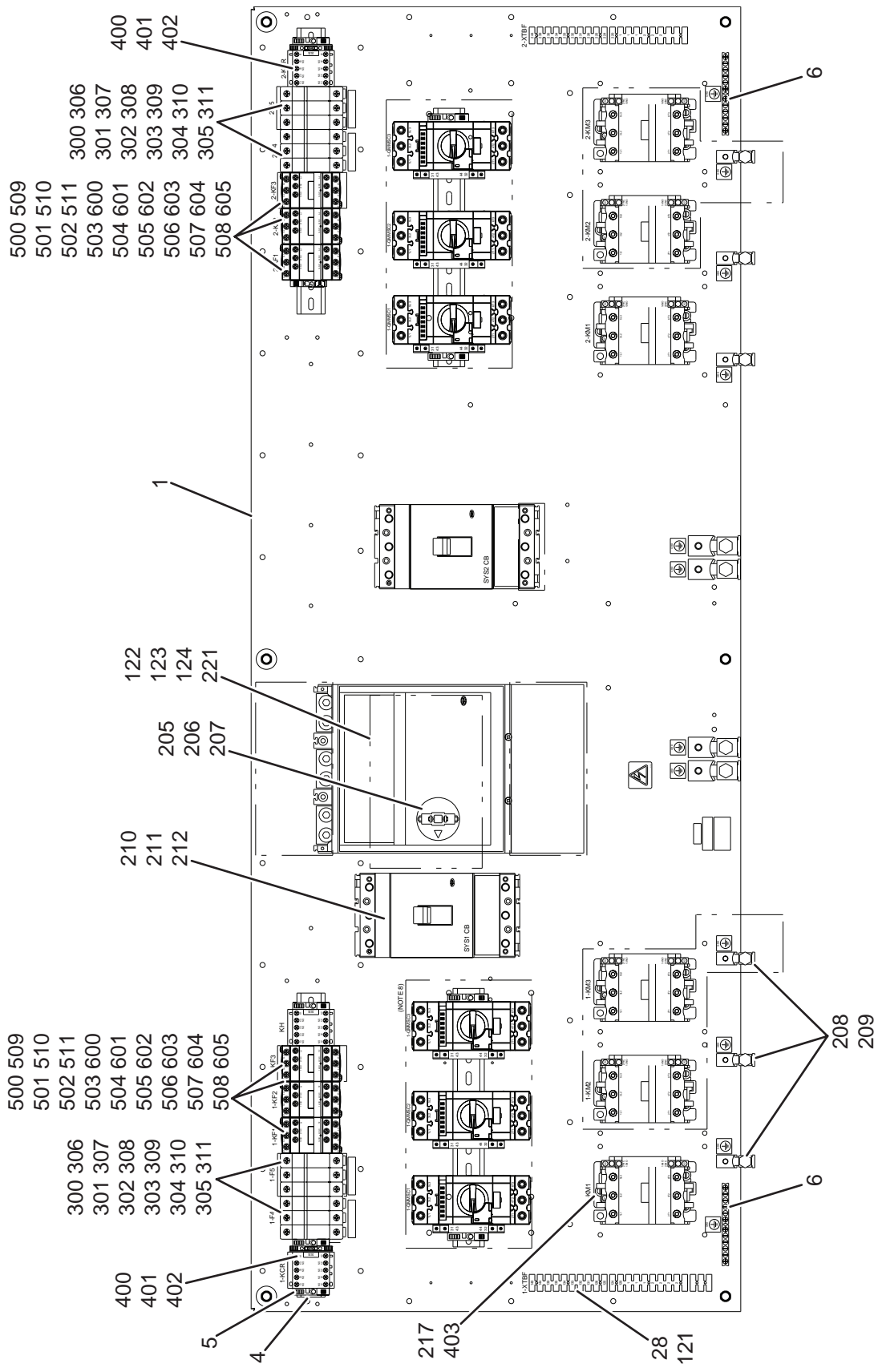


FIGURE 44 - POWER PANEL MODEL 200 HIGH AIR FLOW (PIN 52=G) SP NF DISCONNECT SWITCH (PIN 16 & 17=SD)

TABLE 74 - POWER PANEL MODEL 200 LOW SOUND, ULTRA QUIET FANS (PIN 52=X, L, V OR M) SP CIRCUIT BREAKER W/ LOCKABLE HANDLE (PIN 16 & 17=BX)

ITEM	DESCRIPTION	VOLTAGE	PART NUMBER	SAP	QTY	FIGURE
1	Power Back Panel	ALL	071-08132-000	5380989	1	45
4	Din Rail L=482.60Mm W=35.00Mm D=7.50Mm	ALL	071-05906-190	839884	2	45
5	Terminal, End Bracket	ALL	025-39406-000	739625	4	45
6	Ground Bar, 4-Pole	ALL	025-35685-000	5380956	4	45
28	Terminal Block P=3 22-10Awg	ALL	025-38103-000	5380957	1	45
100	3-Ph Jumpers, 6"	ALL	025-49367-010	5380960	2	45
202	Lug, Electrical, Wire Range	58	025-29194-000	618129	6	45
206	Circuit Breaker 600.0A 600V 3Pole	40	024-37006-000	5389742	1	45
208	Handle Variable Depth T6	40, 46	024-37559-000	927966	1	45
208a	Kit For Cb Handle	58	029-23477-000	5391068	1	45
211	Circuit Breaker 1000.0A 600V 3Pole	17, 28	024-37054-000	5380952	1	45
	Circuit Breaker 600.0A 600V 3Pole	46	024-37004-000	1179201	1	
	Circuit Breaker 400.0A 600V 3Pole	58	024-37079-000	5389741	1	
212	Shaft, Operator, 8.9"/225Mm	17, 28	024-37047-000	1044633	1	45
	Shaft, Operator	46	024-31879-000	735871	1	
213	Handle Variable Depth T7	17, 28	024-37560-000	927967	1	45
214	Lug Wire 3/0Awg Contact Terminal 90.0Deg	17, 28, 46	025-34085-000	901798	3	45
215	Grnlug Cu-6-1/0	17, 28, 58	025-34089-000	117639	6	45
	Ground Lug, Copper	40, 46	025-34088-000	117638	6	
216	Handle Circuit Breaker	17, 28	025-37655-000	117957	1	45
	Handle Circuit Breaker	40, 46	025-35697-000	53441	1	
217	Ckt Brkr-Lug Kit - 4/0-500Mcm	17, 28	025-40832-000	1099847	1	45
	Lug Kit Circuit Breaker	40, 46	025-34414-000	117667	1	
217a	Lug Kit For Cb Handle	40, 46	025-34415-000	117668	1	45
	Lug Kit For Cb Handle	58	025-40825-000	920251	1	
	Lug Kit For Cb Handle	58	025-40826-000	920252	1	
218	115V Control Harness	all	025-49458-000	5380963	1	See Table 83
219	Power Harness - Sp Disc	17, 28	025-49519-005	5380966	1	See Table 83
	Power Harness - Sp Disc	40	025-49519-002	5389651	1	
	Power Harness - Sp Disc	46, 58	025-49519-003	5380965	1	
220	Surge Suppressor	ALL	031-00808-000	618876	6	45
221	Clip-On Rc Circ.110-240V, D09-D38 & Cad	ALL	031-02106-000	922180	6	*
223	Insulating Material S6/T6/S7/T7 Iso/T-Ma	ALL	071-04351-003	5394398	1	45
300	Fuseholder 3 Pole 30Amp 600V	17, 28	025-45048-003	826358	1	45
301	Fuse, Cartridge Type 30 Amp	ALL	025-39683-000	739699	3	45
302	Fuseholder 3 Pole 30Amp 600V	17, 28	025-45048-003	826358	1	45
303	Fuse, Cartridge Type 30 Amp	17, 28	025-39683-000	739699	3	45
304	Fuseholder 3 Pole 30Amp 600V	17, 28	025-45048-003	826358	1	45
305	Fuse, Cartridge Type 30 Amp	ALL	025-39683-000	739699	3	45
306	Fuseholder 3 Pole 30Amp 600V	17, 28	025-45048-003	826358	1	45
307	Fuse, Cartridge Type 30 Amp	17, 28	025-39683-000	739699	3	45
400	Relay 120 VAC 4No Din Rail AC=10.0A DC=	ALL	024-37045-000	917838	1	45
401	Relay 120 VAC 4No Din Rail AC=10.0A DC=	ALL	024-37045-000	917838	1	45

**TABLE 74 - POWER PANEL MODEL 200 LOW SOUND, ULTRA QUIET FANS (PIN 52=X, L, V OR M) SP CIR-
 CUIT BREAKER W/ LOCKABLE HANDLE (PIN 16 & 17=BX) (CONT'D)**

ITEM	DESCRIPTION	VOLTAGE	PART NUMBER	SAP	QTY	FIGURE
402	Relay 120 VAC 4No Din Rail AC=10.0A DC=	ALL	024-37045-000	917838	1	45
403	Surge Suppresor	ALL	031-02107-000	922201	3	45
500	Contactora, 3-Pole, 12A, 600V	ALL	024-34300-000	116967	1	45
501	Contactora, 3-Pole, 12A, 600V	ALL	024-34300-000	116967	1	45
502	Contactora 18.0A DC= AC=600V 50/60Hz N/A	17, 28	024-34304-000	116970	1	45
503	Contactora 18.0A DC= AC=600V 50/60Hz N/A	17, 28	024-34304-000	116970	1	45
504	Contractora, 32A, 110VAC Coil	17, 28	024-34306-000	107447	1	45
	Contactora 18.0A DC= AC=600V 50/60Hz N/A	40, 46, 58	024-34304-000	116970	1	
505	Contractora, 32A, 110VAC Coil	17, 28, 58	024-34306-000	107447	1	45
	Contactora 18.0A DC= AC=600V 50/60Hz N/A	40, 46	024-34304-000	116970	1	
600	Contactora,150Amp 3Pole	17, 28	024-34294-000	116965	1	45
	Contactora 115.0A DC= AC=600V 50/60Hz	40, 46	024-37042-000	5393172	1	
	Contactora 80.0A DC= AC=110-120V 50/60Hz	58	024-34310-000	116981	1	
601	Contactora,150Amp 3Pole	17, 28	024-34294-000	116965	1	45
	Contactora 115.0A DC= AC=600V 50/60Hz	40, 46	024-37042-000	5393172	1	
	Contactora 80.0A DC= AC=110-120V 50/60Hz	58	024-34310-000	116981	1	
602	Contactora,150Amp 3Pole	17, 28	024-34294-000	116965	1	45
	Contactora 115.0A DC= AC=600V 50/60Hz	40, 46	024-37042-000	5393172	1	
	Contactora 80.0A DC= AC=110-120V 50/60Hz	58	024-34310-000	116981	1	
603	Contactora,150Amp 3Pole	17, 28	024-34294-000	116965	1	45
	Contactora 115.0A DC= AC=600V 50/60Hz	40, 46	024-37042-000	5393172	1	
	Contactora 80.0A DC= AC=110-120V 50/60Hz	58	024-34310-000	116981	1	
604	Contactora,150Amp 3Pole	17, 28	024-34294-000	116965	1	45
	Contactora 115.0A DC= AC=600V 50/60Hz	40, 46	024-37042-000	5393172	1	
	Contactora 80.0A DC= AC=110-120V 50/60Hz	58	024-34310-000	116981	1	
605	Contactora,150Amp 3Pole	17, 28	024-34294-000	116965	1	45
	Contactora 115.0A DC= AC=600V 50/60Hz	40, 46	024-37042-000	5393172	1	
	Contactora 80.0A DC= AC=110-120V 50/60Hz	58	024-34310-000	116981	1	

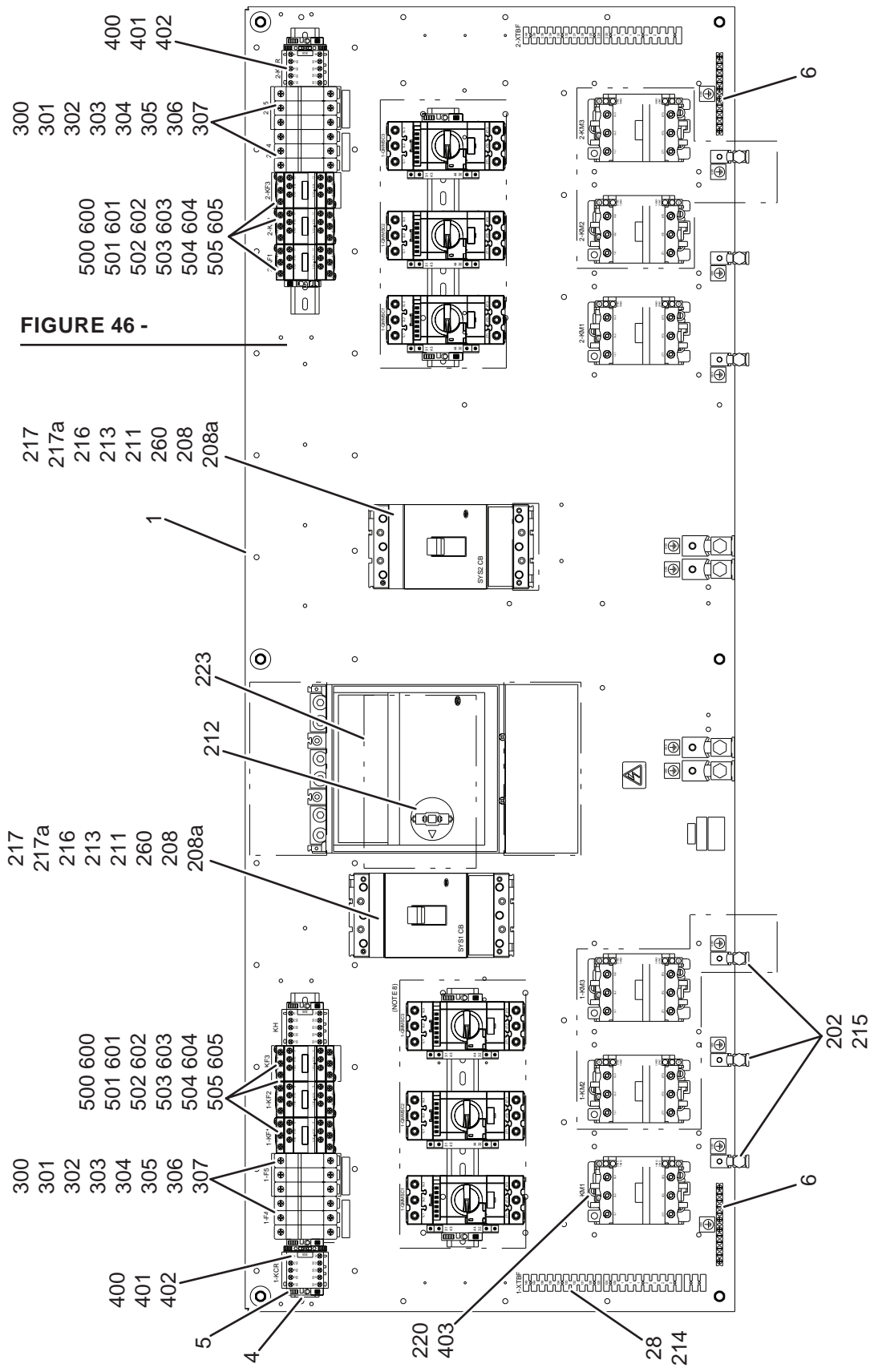


FIGURE 46 -

FIGURE 45 - POWER PANEL MODEL 200 LOW SOUND, ULTRA QUIET FANS (PIN 52=X, L, V OR M) SP CIRCUIT BREAKER W/ LOCKABLE HANDLE (PIN 16 & 17=BX)

LD23180

TABLE 75 - POWER PANEL MODEL 230 LOW SOUND, ULTRA QUIET FANS (PIN 52=X, L, V OR M) SP CIRCUIT BREAKER W/ LOCKABLE HANDLE (PIN 16 & 17=BX)

ITEM	DESCRIPTION	VOLTAGE	PART NUMBER	SAP	QTY	FIGURE
1	Power Back Panel	ALL	071-08132-000	5380989	1	46
4	Din Rail L=482.60Mm W=35.00Mm D=7.50Mm	ALL	071-05906-190	839884	2	46
5	Terminal, End Bracket	ALL	025-39406-000	739625	4	46
6	Ground Bar, 4-Pole	ALL	025-35685-000	5380956	4	46
28	Terminal Block P=3 22-10Awg	ALL	025-38103-000	5380957	1	46
100	3-Ph Jumpers, 6"	ALL	025-49367-010	5380960	2	46
211	Shaft, Operator, 8.9"/225Mm	17, 28	024-37047-000	1044633	1	46
	Shaft, Operator	46, 58	024-31879-000	735871	1	
212	Handle Variable Depth T7	17, 28	024-37560-000	927967	1	46
213	Circuit Breaker 1200.0A 600V 3Pole	17, 28	024-39879-000	5393171	1	46
	Circuit Breaker 600.0A 600V 3Pole	46, 58	024-37006-000	5389742	1	
214	Lug Wire 3/0Awg Contact Terminal 90.0Deg	17, 28	025-34085-000	901798	3	46
215	Grnlug Cu-6-1/0	17, 28	025-34089-000	117639	6	46
216	Handle Circuit Breaker	17, 28	025-37655-000	117957	1	46
	Handle Variable Depth T6	46, 58	024-37559-000	927966	1	
217	Ckt Brkr-Lug Kit - 4/0-500Mcm	17, 28	025-40832-000	1099847	1	46
218	115V Control Harness	17, 28	025-49458-000	5380963	1	See Table 83
	Power Harness - Sp Disc	46, 58	025-49519-007	5393170	1	
219	Power Harness - Sp Disc	17, 28	025-49519-006	5393169	1	See Table 83
	Power Harness - Sp Disc	46	025-49519-007	5393170	1	
	Power Harness - Sp Disc	58	025-49519-003	5380965	1	
	Power Harness - Sp Disc					
220	Surge Suppressor	ALL	031-00808-000	618876	6	46
221	Clip-On Rc Circ.110-240V, D09-D38 & Cad	ALL	031-02106-000	922180	6	*
223	Insulating Material S6/T6/S7/T7 Iso/T-Ma	ALL	071-04351-003	5394398	1	46
300	Fuseholder 3 Pole 30Amp 600V	ALL	025-45048-003	826358	1	46
301	Fuse, Cartridge Type 30 Amp	ALL	025-39683-000	739699	3	46
302	Fuseholder 3 Pole 30Amp 600V	ALL	025-45048-003	826358	1	46
303	Fuse, Cartridge Type 30 Amp	17, 28	025-39683-000	739699	3	46
304	Fuseholder 3 Pole 30Amp 600V	ALL	025-45048-003	826358	1	46
305	Fuse, Cartridge Type 30 Amp	ALL	025-39683-000	739699	3	46
306	Fuseholder 3 Pole 30Amp 600V	ALL	025-45048-003	826358	1	46
307	Fuse, Cartridge Type 30 Amp	17, 28	025-39683-000	739699	3	46
400	Relay 120 Vac 4No Din Rail Ac=10.0A Dc=	ALL	024-37045-000	917838	1	46
401	Relay 120 Vac 4No Din Rail Ac=10.0A Dc=	ALL	024-37045-000	917838	1	46
402	Relay 120 Vac 4No Din Rail Ac=10.0A Dc=	ALL	024-37045-000	917838	1	46
403	Surge Suppresor	ALL	031-02107-000	922201	3	46
500	Contactora, 3-Pole, 12A, 600V	ALL	024-34300-000	116967	1	46
501	Contactora, 3-Pole, 12A, 600V	ALL	024-34300-000	116967	1	46
502	Contactora 18.0A Dc= Ac=600V 50/60Hz N/A	ALL	024-34304-000	116970	1	46
503	Contactora 18.0A Dc= Ac=600V 50/60Hz N/A	ALL	024-34304-000	116970	1	46
504	Contractora, 32A, 110Vac Coil	17, 28	024-34306-000	107447	1	46
	Contactora 18.0A Dc= Ac=600V 50/60Hz N/A	46, 58	024-34304-000	116970	1	
505	Contractora, 32A, 110Vac Coil	17, 28	024-34306-000	107447	1	46
	Contactora 18.0A Dc= Ac=600V 50/60Hz N/A	46, 58	024-34304-000	116970	1	

**TABLE 75 - POWER PANEL MODEL 230 LOW SOUND, ULTRA QUIET FANS (PIN 52=X, L, V OR M) SP CIR-
 CUIT BREAKER W/ LOCKABLE HANDLE (PIN 16 & 17=BX) (CONT'D)**

ITEM	DESCRIPTION	VOLTAGE	PART NUMBER	SAP	QTY	FIGURE
600	Contactora 400.0A Dc= Ac=600V 50/60Hz N/A	17, 28	024-39898-000	5389872	1	46
	Contactora 115.0A Dc= Ac=600V 50/60Hz	46	024-37042-000	5393172	1	
	Contactora 80.0A Dc= Ac=110-120V 50/60Hz	58	024-34310-000	116981	1	
601	Contactora 400.0A Dc= Ac=600V 50/60Hz N/A	17, 28	024-39898-000	5389872	1	46
	Contactora 115.0A Dc= Ac=600V 50/60Hz	46	024-37042-000	5393172	1	
	Contactora 80.0A Dc= Ac=110-120V 50/60Hz	58	024-34310-000	116981	1	
602	Contactora 400.0A Dc= Ac=600V 50/60Hz N/A	17, 28	024-39898-000	5389872	1	46
	Contactora 115.0A Dc= Ac=600V 50/60Hz	46	024-37042-000	5393172	1	
	Contactora 80.0A Dc= Ac=110-120V 50/60Hz	58	024-34310-000	116981	1	
603	Contactora 400.0A Dc= Ac=600V 50/60Hz N/A	17, 28	024-39898-000	5389872	1	46
	Contactora 115.0A Dc= Ac=600V 50/60Hz	46	024-37042-000	5393172	1	
	Contactora 80.0A Dc= Ac=110-120V 50/60Hz	58	024-34310-000	116981	1	
604	Contactora 400.0A Dc= Ac=600V 50/60Hz N/A	17, 28	024-39898-000	5389872	1	46
	Contactora 115.0A Dc= Ac=600V 50/60Hz	46	024-37042-000	5393172	1	
	Contactora 80.0A Dc= Ac=110-120V 50/60Hz	58	024-34310-000	116981	1	
605	Contactora 400.0A Dc= Ac=600V 50/60Hz N/A	17, 28	024-39898-000	5389872	1	46
	Contactora 115.0A Dc= Ac=600V 50/60Hz	46	024-37042-000	5393172	1	
	Contactora 80.0A Dc= Ac=110-120V 50/60Hz	58	024-34310-000	116981	1	

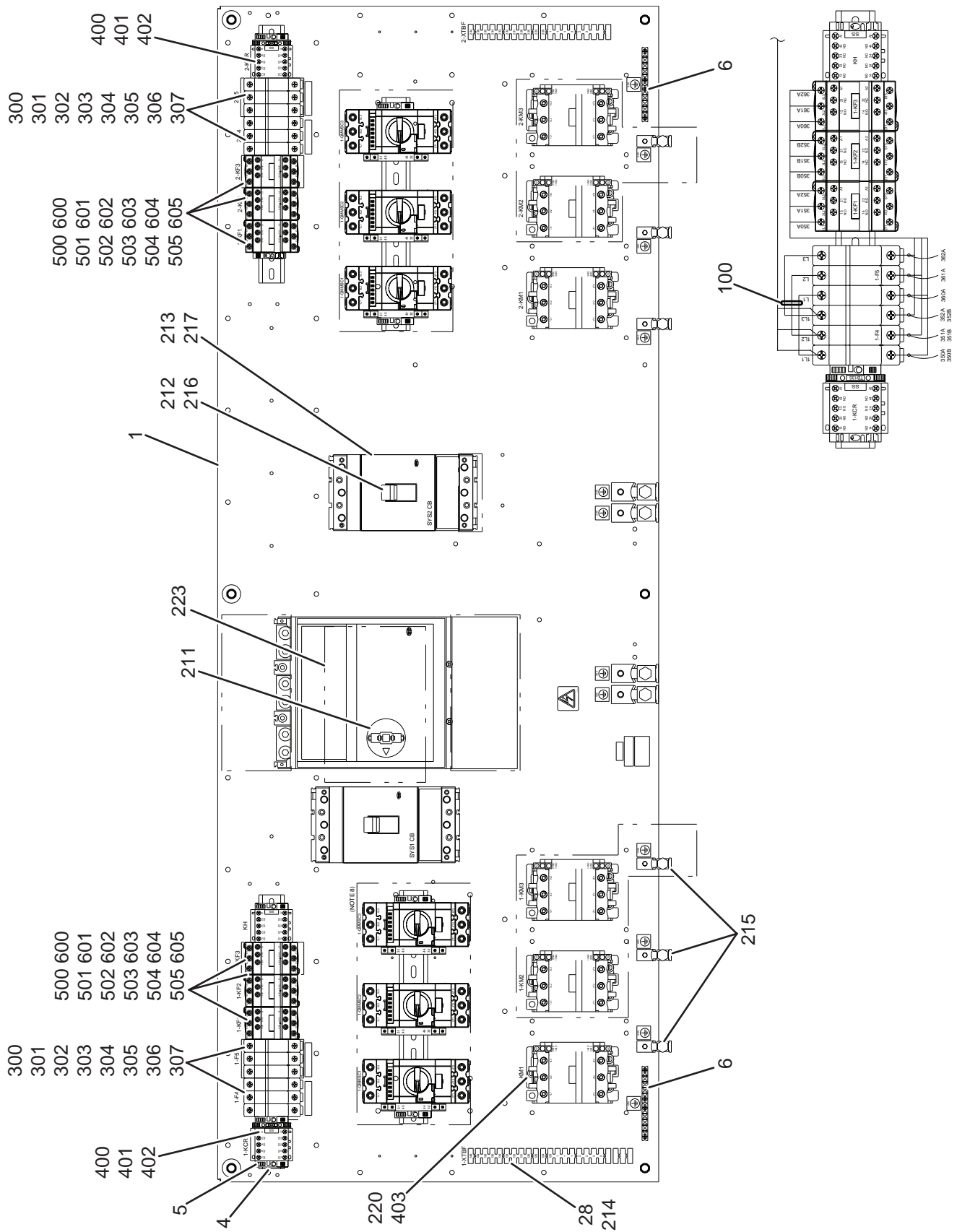


FIGURE 47 - POWER PANEL MODEL 230 LOW SOUND, ULTRA QUIET FANS (PIN 52=X, L, V OR M) SP CIRCUIT BREAKER W/ LOCKABLE HANDLE (PIN 16 & 17=BX)

TABLE 76 - POWER PANEL MODEL 200 HIGH AIR FLOW (PIN 52=G) SP CIRCUIT BREAKER W/ LOCKABLE HANDLE (PIN 16 & 17=BX)

ITEM	DESCRIPTION	VOLTAGE	PART NUMBER	SAP	QTY	FIGURE
1	Power Back Panel	ALL	071-08132-000	5380989	1	47
4	Din Rail L=381.00Mm W=35.00Mm D=7.50Mm	ALL	071-05906-150	839877	4	47
5	Terminal, End Bracket	ALL	025-39406-000	739625	20	47
6	Ground Bar, 4-Pole	ALL	025-35685-000	5380956	4	47
23	Fan Bracket	ALL	071-08154-000	5389690	2	*
27	Edge Guard 75-1/8-B-3-Alum #	ALL	026-50301-000	5389691	2	*
28	Terminal Block P=3 22-10Awg	ALL	025-38103-000	5380957	1	47
121	Top Cover For Terminal Block	ALL	025-49625-000	5391066	1	47
122	Power Distribution Block 3 Pole, 175A	ALL	025-49624-000	5389729	1	47
123	Top Cover For Terminal Block	ALL	025-49625-000	5391066	1	47
124	Power Distribution Block 3 Pole, 175A	ALL	025-49624-000	5389729	1	47
206	Circuit Breaker 600.0A 600V 3Pole	40	024-37006-000	5389742	1	47
	Circuit Breaker 600.0A 600V 3Pole	46	024-37004-000	1179201	1	
207	Shaft, Operator, 8.9"/225Mm	ALL	024-37047-000	1044633	1	47
208	Handle Variable Depth T6	ALL	024-37559-000	927966	1	47
209	Ground Lug, Copper	40	025-34086-000	5389656	2	47
	Lug Wire 3/0Awg Contact Terminal 90.0Deg	46	025-34085-000	901798	2	
210	Ground Lug, Copper	ALL	025-34088-000	117638	6	47
211	Lug Kit Circuit Breaker	ALL	025-34414-000	117667	1	47
212	Lug Kit For Cb Handle	40	025-34415-000	117668	1	47
213	Handle Circuit Breaker	ALL	025-35697-000	53441	1	47
214	Power Harness	40	025-49484-004	5389847	1	*
215	115V Control Harness	ALL	025-49495-000	5389704	1	See Table 83
216	115V Cont Add-On Harness	ALL	025-49496-004	5389728	1	*
217	115V Cont Add-On Harness	ALL	025-49496-008	5389848	1	*
218	Surge Suppressor	ALL	031-00808-000	618876	6	47
219	Clip-On Rc Circ.110-240V, D09-D38 & Cad	ALL	031-02106-000	922180	12	*
222	Insulating Material S6/T6/S7/T7 Iso/T-Ma	ALL	071-04351-003	5394398	1	47
300	Fuseholder 3 Pole 30Amp 600V	ALL	025-45048-003	826358	1	47
301	Fuse Type=Classcc 17.50A 600V Time Delay	40	025-49627-000	5389686	3	47
	Fuse, Cartridge Type 15 Amp	46	025-34141-000	739008	3	
302	Fuseholder 3 Pole 30Amp 600V	ALL	025-45048-003	826358	1	47
303	Fuse Type=Classcc 17.50A 600V Time Delay	40	025-49627-000	5389686	3	47
	Fuse, Cartridge Type 15 Amp	46	025-34141-000	739008	3	
304	Fuseholder 3 Pole 30Amp 600V	ALL	025-45048-003	826358	1	47
305	Fuse Type=Classcc 17.50A 600V Time Delay	40	025-49627-000	5389686	3	47
	Fuse, Cartridge Type 15 Amp	46	025-34141-000	739008	3	
306	Fuseholder 3 Pole 30Amp 600V	ALL	025-45048-003	826358	1	47
307	Fuse Type=Classcc 17.50A 600V Time Delay	40	025-49627-000	5389686	3	47
	Fuse, Cartridge Type 15 Amp	46	025-34141-000	739008	3	
308	Fuseholder 3 Pole 30Amp 600V	ALL	025-45048-003	826358	1	47
309	Fuse Type=Classcc 17.50A 600V Time Delay	40	025-49627-000	5389686	3	47
	Fuse, Cartridge Type 15 Amp	46	025-34141-000	739008	3	

TABLE 76- POWER PANEL MODEL 200 HIGH AIR FLOW (PIN 52=G) SP CIRCUIT BREAKER W/ LOCKABLE HANDLE (PIN 16 & 17=BX) (CONT'D)

ITEM	DESCRIPTION	VOLTAGE	PART NUMBER	SAP	QTY	FIGURE
310	Fuseholder 3 Pole 30Amp 600V	ALL	025-45048-003	826358	1	47
311	Fuse Type=Classcc 17.50A 600V Time Delay	40	025-49627-000	5389686	3	47
	Fuse, Cartridge Type 15 Amp	46	025-34141-000	739008	3	
500	Contactora, 3-Pole, 12A, 600V	ALL	024-34300-000	116967	1	47
501	Contactora, 3-Pole, 12A, 600V	ALL	024-34300-000	116967	1	47
502	Contactora, 3-Pole, 12A, 600V	ALL	024-34300-000	116967	1	47
503	Contactora, 3-Pole, 12A, 600V	ALL	024-34300-000	116967	1	47
504	Contactora, 3-Pole, 12A, 600V	ALL	024-34300-000	116967	1	47
505	Contactora, 3-Pole, 12A, 600V	ALL	024-34300-000	116967	1	47
506	Contactora, 3-Pole, 12A, 600V	ALL	024-34300-000	116967	1	47
507	Contactora, 3-Pole, 12A, 600V	ALL	024-34300-000	116967	1	47
508	Contactora, 3-Pole, 12A, 600V	ALL	024-34300-000	116967	1	47
509	Contactora, 3-Pole, 12A, 600V	ALL	024-34300-000	116967	1	47
510	Contactora, 3-Pole, 12A, 600V	ALL	024-34300-000	116967	1	47
511	Contactora, 3-Pole, 12A, 600V	ALL	024-34300-000	116967	1	47
600	Contactora 115.0A DC= AC=600V 50/60Hz	40	024-37042-000	5393172	1	47
	Contactora 80.0A DC= AC=110-120V 50/60Hz	46	024-34310-000	116981	1	
601	Contactora 115.0A DC= AC=600V 50/60Hz	40	024-37042-000	5393172	1	47
	Contactora 80.0A DC= AC=110-120V 50/60Hz	46	024-34310-000	116981	1	
602	Contactora 115.0A DC= AC=600V 50/60Hz	40	024-37042-000	5393172	1	47
	Contactora 80.0A DC= AC=110-120V 50/60Hz	46	024-34310-000	116981	1	
603	Contactora 115.0A DC= AC=600V 50/60Hz	40	024-37042-000	5393172	1	47
	Contactora 80.0A DC= AC=110-120V 50/60Hz	46	024-34310-000	116981	1	
604	Contactora 115.0A DC= AC=600V 50/60Hz	40	024-37042-000	5393172	1	47
	Contactora 80.0A DC= AC=110-120V 50/60Hz	46	024-34310-000	116981	1	
605	Contactora 115.0A DC= AC=600V 50/60Hz	40	024-37042-000	5393172	1	47
	Contactora 80.0A DC= AC=110-120V 50/60Hz	46	024-34310-000	116981	1	

TABLE 77 - POWER PANEL MODEL 230 HIGH AIR FLOW (PIN 52=G) SP CIRCUIT BREAKER W/ LOCKABLE HANDLE (PIN 16 & 17=BX)

ITEM	DESCRIPTION	PART NUMBER	SAP	QTY	FIGURE
1	Power Back Panel	071-08132-000	5380989	1	48
4	Din Rail L=381.00Mm W=35.00Mm D=7.50Mm	071-05906-150	839877	4	48
5	Terminal, End Bracket	025-39406-000	739625	20	48
6	Ground Bar, 4-Pole	025-35685-000	5380956	4	48
23	Fan Bracket	071-08154-000	5389690	2	*
27	Edge Guard 75-1/8-B-3-Alum #	026-50301-000	5389691	2	*
28	Terminal Block P=3 22-10Awg	025-38103-000	5380957	1	48
121	Top Cover For Terminal Block	025-49625-000	5391066	1	48
122	Power Distribution Block 3 Pole, 175A	025-49624-000	5389729	1	48
123	Top Cover For Terminal Block	025-49625-000	5391066	1	48
124	Power Distribution Block 3 Pole, 175A	025-49624-000	5389729	1	48
214	Shaft, Operator	024-31879-000	735871	1	48
215	Circuit Breaker 600.0A 600V 3Pole	024-37006-000	5389742	1	48
216	Handle Variable Depth T6	024-37559-000	927966	1	48
217	Lug Wire 3/0Awg Contact Terminal 90.0Deg	025-34085-000	901798	3	48
218	Ground Lug, Copper	025-34088-000	117638	6	48
219	Lug Kit Circuit Breaker	025-34414-000	117667	1	48
220	Lug Kit For Cb Handle	025-34415-000	117668	1	48
221	Handle Circuit Breaker	025-35697-000	53441	1	48
222	115V Control Harness	025-49495-000	5389704	1	See Table 83
223	115V Cont Add-On Harness	025-49496-004	5389728	1	*
224	115V Cont Add-On Harness	025-49496-008	5389848	1	*
225	Pwr Harness	025-49519-010	5462618	1	*
226	Surge Suppressor	031-00808-000	618876	6	48
227	Clip-On Rc Circ.110-240V, D09-D38 & Cad	031-02106-000	922180	12	*
230	Insulating Material S6/T6/S7/T7 Iso/T-Ma	071-04351-003	5394398	1	48
300	Fuseholder 3 Pole 30Amp 600V	025-45048-003	826358	1	48
301	Fuse, Cartridge Type 15 Amp	025-34141-000	739008	3	48
302	Fuseholder 3 Pole 30Amp 600V	025-45048-003	826358	1	48
303	Fuse, Cartridge Type 15 Amp	025-34141-000	739008	3	48
304	Fuseholder 3 Pole 30Amp 600V	025-45048-003	826358	1	48
305	Fuse, Cartridge Type 15 Amp	025-34141-000	739008	3	48
306	Fuseholder 3 Pole 30Amp 600V	025-45048-003	826358	1	48
307	Fuse, Cartridge Type 15 Amp	025-34141-000	739008	3	48
308	Fuseholder 3 Pole 30Amp 600V	025-45048-003	826358	1	48
309	Fuse, Cartridge Type 15 Amp	025-34141-000	739008	3	48
310	Fuseholder 3 Pole 30Amp 600V	025-45048-003	826358	1	48
311	Fuse, Cartridge Type 15 Amp	025-34141-000	739008	3	48
400	Relay 120 VAC 4No Din Rail AC=10.0A DC=	024-37045-000	917838	1	48
401	Relay 120 VAC 4No Din Rail AC=10.0A DC=	024-37045-000	917838	1	48
402	Relay 120 VAC 4No Din Rail AC=10.0A DC=	024-37045-000	917838	1	48
403	Surge Suppresor	031-02107-000	922201	3	48
500	Contactora, 3-Pole, 12A, 600V	024-34300-000	116967	1	48
501	Contactora, 3-Pole, 12A, 600V	024-34300-000	116967	1	48

TABLE 77 - POWER PANEL MODEL 230 HIGH AIR FLOW (PIN 52=G) SP CIRCUIT BREAKER W/ LOCKABLE HANDLE (PIN 16 & 17=BX) (CONT'D)

ITEM	DESCRIPTION	PART NUMBER	SAP	QTY	FIGURE
502	Contactora, 3-Pole, 12A, 600V	024-34300-000	116967	1	48
503	Contactora, 3-Pole, 12A, 600V	024-34300-000	116967	1	48
504	Contactora, 3-Pole, 12A, 600V	024-34300-000	116967	1	48
505	Contactora, 3-Pole, 12A, 600V	024-34300-000	116967	1	48
506	Contactora, 3-Pole, 12A, 600V	024-34300-000	116967	1	48
507	Contactora, 3-Pole, 12A, 600V	024-34300-000	116967	1	48
508	Contactora, 3-Pole, 12A, 600V	024-34300-000	116967	1	48
509	Contactora, 3-Pole, 12A, 600V	024-34300-000	116967	1	48
510	Contactora, 3-Pole, 12A, 600V	024-34300-000	116967	1	48
511	Contactora, 3-Pole, 12A, 600V	024-34300-000	116967	1	48
600	Contactora 115.0A DC= AC=600V 50/60Hz	024-37042-000	5393172	1	48
601	Contactora 115.0A DC= AC=600V 50/60Hz	024-37042-000	5393172	1	48
602	Contactora 115.0A DC= AC=600V 50/60Hz	024-37042-000	5393172	1	48
603	Contactora 115.0A DC= AC=600V 50/60Hz	024-37042-000	5393172	1	48
604	Contactora 115.0A DC= AC=600V 50/60Hz	024-37042-000	5393172	1	48
605	Contactora 115.0A DC= AC=600V 50/60Hz	024-37042-000	5393172	1	48

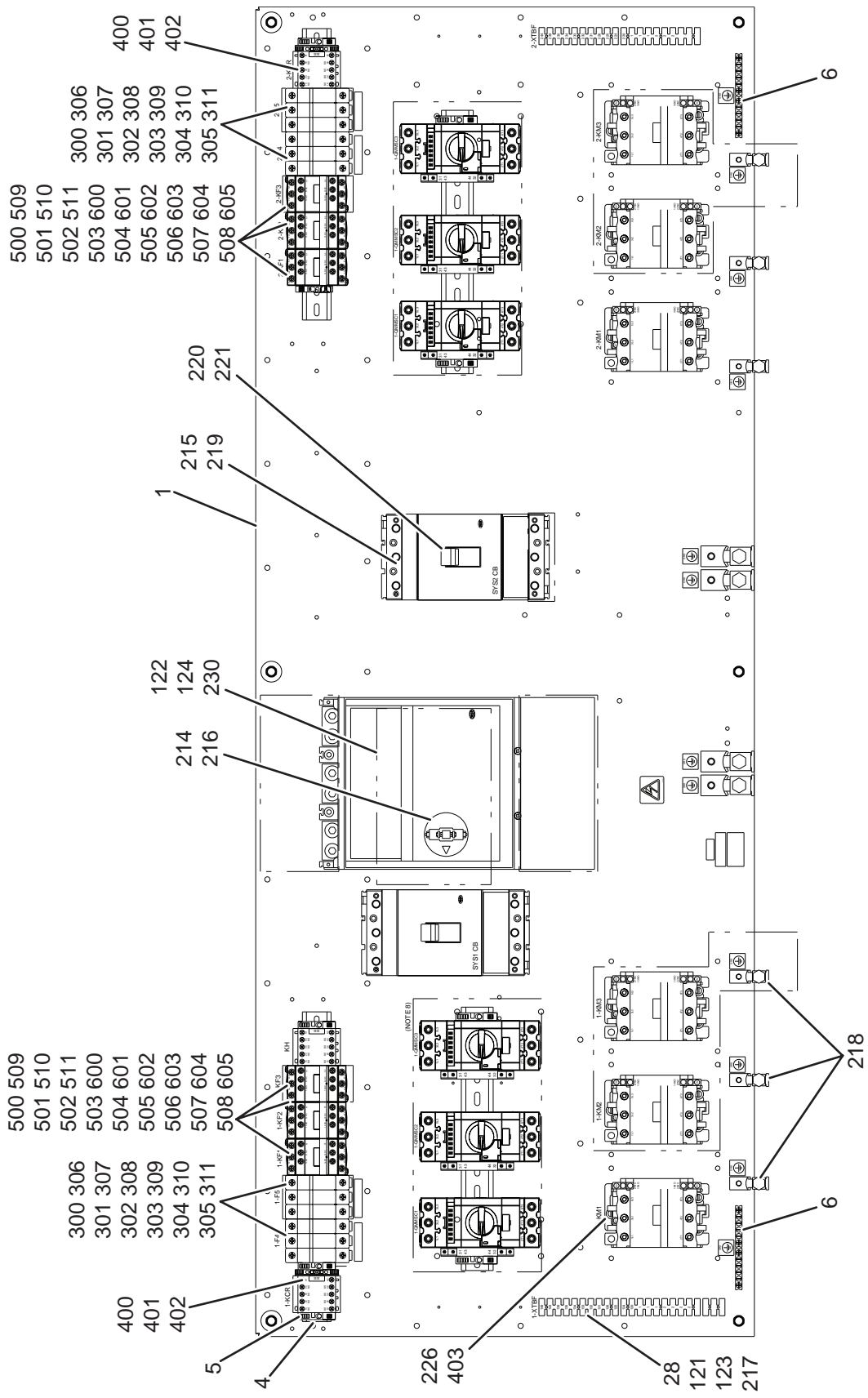


FIGURE 49 - POWER PANEL MODEL 230 HIGH AIR FLOW (PIN 52=G) SP CIRCUIT BREAKER W/ LOCKABLE HANDLE (PIN 16 & 17=BX)

TABLE 78 - POWER PANEL MODEL 200 LOW SOUND, ULTRA QUIET FANS (PIN 52=X, L, V OR M) SP CIRCUIT BREAKER W/ LOCKABLE HANDLE, 65KA SCWR (PIN 16 & 17=BC)

ITEM	DESCRIPTION	VOLTAGE	PART NUMBER	SAP	QTY	FIGURE
1	Power Back Panel	17, 28	071-08132-000	5380989	1	49
4	Din Rail L=482.60Mm W=35.00Mm D=7.50Mm	40, 46, 58	071-05906-190	839884	2	49
	Din Rail L=381.00Mm W=35.00Mm D=7.50Mm	ALL	071-05906-150	839877	2	
5	Terminal, End Bracket	ALL	025-39406-000	739625	4	49
6	Ground Bar, 4-Pole	ALL	025-35685-000	5380956	4	49
28	Terminal Block P=3 22-10Awg	ALL	025-38103-000	5380957	1	49
100	3-Ph Jumpers, 6"	ALL	025-49367-010	5380960	2	49
201	Lug Wire 3/0Awg Contact Terminal 90.0Deg	ALL	025-34085-000	901798	3	49
202	115V Control Harness	ALL	025-49458-000	5380963	1	See Table 83
203	Grnlug Cu-6-1/0	17, 28	025-34089-000	117639	6	49
	Ground Lug, Copper	40, 46, 58	025-34088-000	117638	6	
204	Power Harness	17, 28	025-49489-001	5389778	1	49
	Power Harness	40	025-49489-002	5389757	1	
	Power Harness	46, 58	025-49489-003	5389779	1	
206	Ckt Brkr-Lug Kit - 4/0-500Mcm	17, 28	025-40832-000	1099847	1	49
	Lug Kit Circuit Breaker	40, 46	025-34414-000	117667	1	
207	Handle Variable Depth T7	17, 28	024-37560-000	927967	1	49
	Handle Variable Depth T6	40, 46	024-37559-000	927966	1	
	Handle Variable Depth T4 T5	58	024-37558-000	919702	1	
208	Circuit Breaker 1000.0A 600V 3Pole	17, 28	024-37054-000	5380952	1	49
	Circuit Breaker 600.0A 600V 3Pole	40	024-37006-000	5389742	1	
	Circuit Breaker 600.0A 600V 3Pole	46	024-37004-000	1179201	1	
	Circuit Breaker 400.0A 600V 3Pole	58	024-37059-000	5389780	1	
209	Insulating Material S6/T6/S7/T7 Iso/T-Ma	ALL	071-04351-003	5394398	1	49
210	Clip-On Rc Circ.110-240V, D09-D38 & Cad	ALL	031-02106-000	922180	6	*
211	Surge Suppressor	ALL	031-00808-000	618876	6	49
212	Lug Kit For Cb Handle	40, 46	025-34415-000	117668	1	49
	Lug Kit For Cb Handle	58	025-40825-000	920251	1	
	Lug Kit For Cb Handle	58	025-40826-000	920252	1	
216	Shaft, Operator	ALL	024-31879-000	735871	1	49
217	Handle Circuit Breaker	17, 28	025-37655-000	117957	1	49
	Handle Circuit Breaker	40, 46	025-35697-000	53441	1	
	Handle Padlocakable Pistol	58	029-23476-000	922036	1	
217a	Fuse Cover 600V, Non-Indicating	46, 58	025-49771-000	5389753	18	49
218	3-Phase, L1, L2, L3, 12"	17, 28	025-49367-016	5389747	6	49
	3-Ph Jumpers, 12"	40	025-49367-018	5389750	6	
	3Ph, L1, L2, L3, 12"	46, 58	025-49367-023	5389754	6	
300	Fuseholder 3 Pole 30Amp 600V	ALL	025-45048-003	826358	1	49
301	Fuse, Cartridge Type 30 Amp	ALL	025-39683-000	739699	3	49
302	Fuseholder 3 Pole 30Amp 600V	ALL	025-45048-003	826358	1	49
303	Fuse, Cartridge Type 30 Amp	17, 28	025-39683-000	739699	3	49
304	Fuseholder 3 Pole 30Amp 600V	ALL	025-45048-003	826358	1	49
305	Fuse, Cartridge Type 30 Amp	ALL	025-39683-000	739699	3	49

TABLE 78 - POWER PANEL MODEL 200 LOW SOUND, ULTRA QUIET FANS (PIN 52=X, L, V OR M) SP CIRCUIT BREAKER W/ LOCKABLE HANDLE, 65KA SCWR (PIN 16 & 17=BC) (CONT'D)

ITEM	DESCRIPTION	VOLTAGE	PART NUMBER	SAP	QTY	FIGURE
306	Fuseholder 3 Pole 30Amp 600V	ALL	025-45048-003	826358	1	49
307	Fuse, Cartridge Type 30 Amp	17, 28	025-39683-000	739699	3	49
320	Fuse Block 3-Pole, 100A	46, 58	025-49626-000	5389752	1	49
321	Fuse Lpj 100A	46	025-36180-000	919961	3	49
	Fuse Lpj 90A	58	025-36179-000	1115161	3	
322	Fuse Block 3-Pole, 100A	46, 58	025-49626-000	5389752	1	49
323	Fuse Lpj 100A	46	025-36180-000	919961	3	49
	Fuse Lpj 90A	58	025-36179-000	1115161	3	
324	Fuse Block 3-Pole, 100A	46, 58	025-49626-000	5389752	1	49
325	Fuse Lpj 100A	46	025-36180-000	919961	3	49
	Fuse Lpj 90A	58	025-36179-000	1115161	3	
326	Fuse Block 3-Pole, 100A	46, 58	025-49626-000	5389752	1	49
327	Fuse Lpj 100A	46	025-36180-000	919961	3	49
	Fuse Lpj 90A	58	025-36179-000	1115161	3	
328	Fuse Block 3-Pole, 100A	46, 58	025-49626-000	5389752	1	49
329	Fuse Lpj 100A	46	025-36180-000	919961	3	49
	Fuse Lpj 90A	58	025-36179-000	1115161	3	
330	Fuse Block 3-Pole, 100A	46, 58	025-49626-000	5389752	1	49
331	Fuse Lpj 100A	46	025-36180-000	919961	3	49
	Fuse Lpj 90A	58	025-36179-000	1115161	3	
400	Relay 120 VAC 4No Din Rail AC=10.0A DC=	ALL	024-37045-000	917838	1	49
401	Relay 120 VAC 4No Din Rail AC=10.0A DC=	ALL	024-37045-000	917838	1	49
402	Relay 120 VAC 4No Din Rail AC=10.0A DC=	ALL	024-37045-000	917838	1	49
403	Surge Suppresor	ALL	031-02107-000	922201	3	49
500	Contactor, 3-Pole, 12A, 600V	ALL	024-34300-000	116967	1	49
501	Contactor, 3-Pole, 12A, 600V	ALL	024-34300-000	116967	1	49
502	Contactor 18.0A DC= AC=600V 50/60Hz N/A	17, 28	024-34304-000	116970	1	49
503	Contactor 18.0A DC= AC=600V 50/60Hz N/A	17, 28	024-34304-000	116970	1	49
504	Contractor, 32A, 110VAC Coil	17, 28	024-34306-000	107447	1	49
	Contractor 18.0A DC= AC=600V 50/60Hz N/A	40, 46, 58	024-34304-000	116970	1	
505	Contractor, 32A, 110VAC Coil	17, 28	024-34306-000	107447	1	49
	Contractor 18.0A DC= AC=600V 50/60Hz N/A	40, 46, 58	024-34304-000	116970	1	
600	Contactor,150Amp 3Pole	17, 28	024-34294-000	116965	1	49
	Contactor 115.0A DC= AC=600V 50/60Hz	40	024-37042-000	5393172	1	
	Contactor 80.0A DC= AC=110-120V 50/60Hz	46, 58	024-34310-000	116981	1	
601	Contactor,150Amp 3Pole	17, 28	024-34294-000	116965	1	49
	Contactor 115.0A DC= AC=600V 50/60Hz	40	024-37042-000	5393172	1	
	Contactor 80.0A DC= AC=110-120V 50/60Hz	46, 58	024-34310-000	116981	1	
602	Contactor,150Amp 3Pole	17, 28	024-34294-000	116965	1	49
	Contactor 115.0A DC= AC=600V 50/60Hz	40	024-37042-000	5393172	1	
	Contactor 80.0A DC= AC=110-120V 50/60Hz	46, 58	024-34310-000	116981	1	

TABLE 78 - POWER PANEL MODEL 200 LOW SOUND, ULTRA QUIET FANS (PIN 52=X, L, V OR M) SP CIRCUIT BREAKER W/ LOCKABLE HANDLE, 65KA SCWR (PIN 16 & 17=BC) (CONT'D)

ITEM	DESCRIPTION	VOLTAGE	PART NUMBER	SAP	QTY	FIGURE
603	Contactora,150Amp 3Pole	17, 28	024-34294-000	116965	1	49
	Contactora 115.0A DC= AC=600V 50/60Hz	40	024-37042-000	5393172	1	
	Contactora 80.0A DC= AC=110-120V 50/60Hz	46, 58	024-34310-000	116981	1	
604	Contactora,150Amp 3Pole	17, 28	024-34294-000	116965	1	49
	Contactora 115.0A DC= AC=600V 50/60Hz	40	024-37042-000	5393172	1	
	Contactora 80.0A DC= AC=110-120V 50/60Hz	46, 58	024-34310-000	116981	1	
605	Contactora,150Amp 3Pole	17, 28	024-34294-000	116965	1	49
	Contactora 115.0A DC= AC=600V 50/60Hz	40	024-37042-000	5393172	1	
	Contactora 80.0A DC= AC=110-120V 50/60Hz	46, 58	024-34310-000	116981	1	
700	Circuit Breaker 225.0A 600V 3Pole	17, 28	024-37076-000	5389746	1	49
	Circuit Breaker 125.0A 600V 3Pole	40	024-37086-000	5389749	1	
701	Circuit Breaker 225.0A 600V 3Pole	17, 28	024-37076-000	5389746	1	49
	Circuit Breaker 125.0A 600V 3Pole	40	024-37086-000	5389749	1	
702	Circuit Breaker 225.0A 600V 3Pole	17, 28	024-37076-000	5389746	1	49
	Circuit Breaker 125.0A 600V 3Pole	40	024-37086-000	5389749	1	
703	Circuit Breaker 225.0A 600V 3Pole	17, 28	024-37076-000	5389746	1	49
	Circuit Breaker 125.0A 600V 3Pole	40	024-37086-000	5389749	1	
704	Circuit Breaker 225.0A 600V 3Pole	17, 28	024-37076-000	5389746	1	49
	Circuit Breaker 125.0A 600V 3Pole	40	024-37086-000	5389749	1	
705	Circuit Breaker 225.0A 600V 3Pole	17, 28	024-37076-000	5389746	1	49
	Circuit Breaker 125.0A 600V 3Pole	40	024-37086-000	5389749	1	

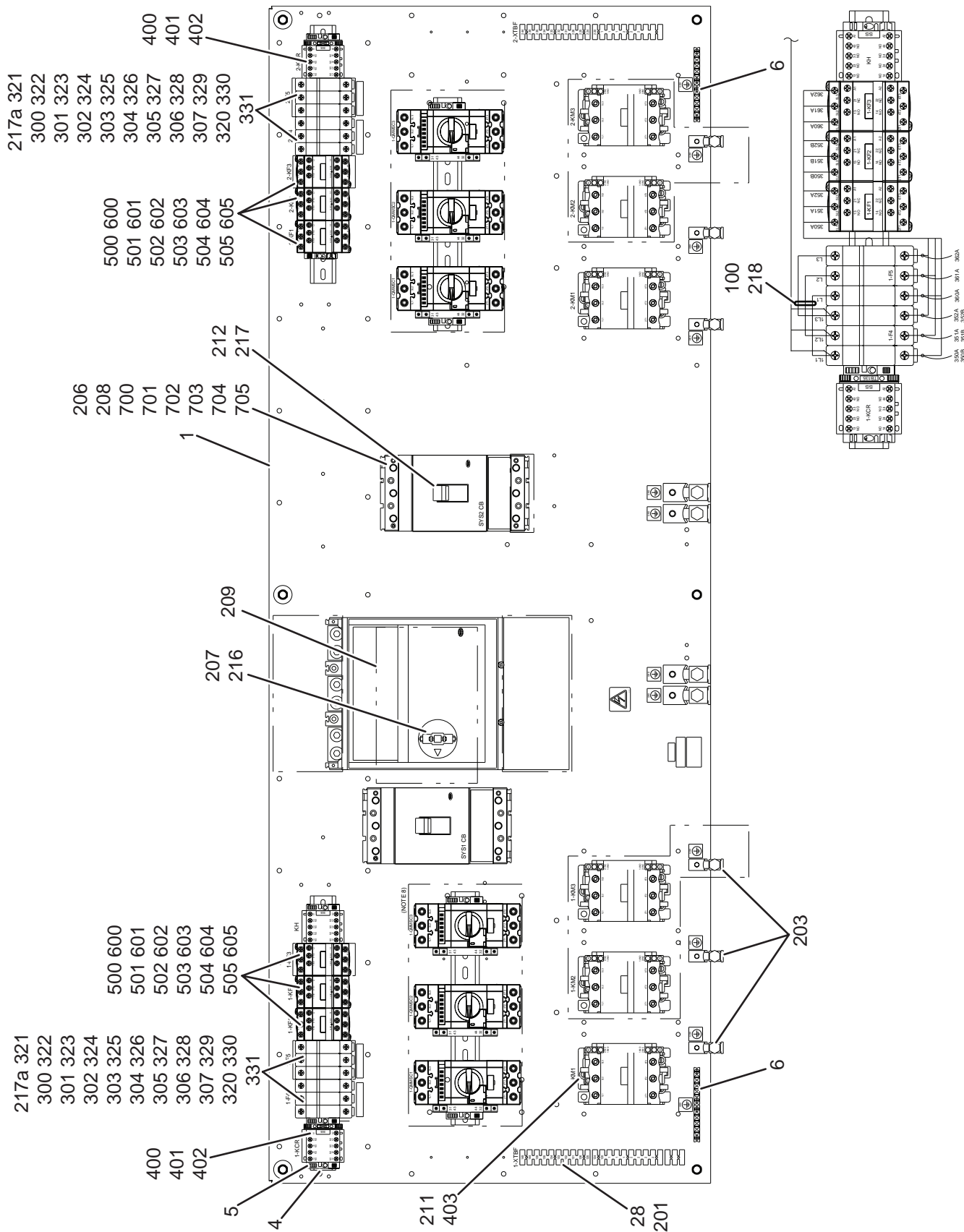


FIGURE 50 - POWER PANEL MODEL 200 LOW SOUND, ULTRA QUIET FANS (PIN 52=X, L, V OR M) SP CIRCUIT BREAKER W/ LOCKABLE HANDLE, 65KA SCWR (PIN 16 & 17=BC)

**TABLE 79 - POWER PANEL MODEL 230 LOW SOUND, ULTRA QUIET FANS (PIN 52=X, L, V OR M) SP
 CIRCUIT BREAKER W/ LOCKABLE HANDLE, 65KA SCWR (PIN 16 & 17=BC)**

ITEM	DESCRIPTION	VOLTAGE	PART NUMBER	SAP	QTY	FIGURE
1	Power Back Panel	46, 58	071-08132-000	5380989	1	50
4	Din Rail L=381.00Mm W=35.00Mm D=7.50Mm	46, 58	071-05906-150	839877	2	50
5	Terminal, End Bracket	46, 58	025-39406-000	739625	4	50
6	Ground Bar, 4-Pole	46, 58	025-35685-000	5380956	4	50
28	Terminal Block P=3 22-10Awg	46, 58	025-38103-000	5380957	1	50
214	3Ph, L1, L2, L3, 12"	58	025-49367-023	5389754	6	50
215	Shaft, Operator	46, 58	024-31879-000	735871	1	50
216	Circuit Breaker 600.0A 600V 3Pole	46	024-37006-000	5389742	1	50
	Circuit Breaker 600.0A 600V 3Pole	58	024-37004-000	1179201	1	
217	Handle Variable Depth T6	46, 58	024-37559-000	927966	1	50
218	Lug Wire 3/0Awg Contact Terminal 90.0Deg	46, 58	025-34085-000	901798	3	50
219	Ground Lug, Copper	46, 58	025-34088-000	117638	6	50
220	Lug Kit Circuit Breaker	46, 58	025-34414-000	117667	1	50
221	Lug Kit For Cb Handle	46, 58	025-34415-000	117668	1	50
222	Handle Circuit Breaker	46, 58	025-35697-000	53441	1	50
223	3-Phase, L1, L2, L3, Jumpers	46, 58	025-49367-086	5450626	6	50
224	115V Control Harness	46, 58	025-49458-000	5380963	1	See Table 83
225	Pwr Harness	46	025-49519-009	5462617	1	*
	Power Harness	58	025-49489-003	5389779	1	
226	Fuse Cover 600V, Non-Indicating	46, 58	025-49771-000	5389753	18	50
227	Surge Suppressor	46, 58	031-00808-000	618876	6	50
228	Clip-On Rc Circ.110-240V, D09-D38 & Cad	46, 58	031-02106-000	922180	6	*
231	Insulating Material S6/T6/S7/T7 Iso/T-Ma	46, 58	071-04351-003	5394398	1	50
300	Fuseholder 3 Pole 30Amp 600V	46, 58	025-45048-003	826358	1	50
301	Fuse, Cartridge Type 30 Amp	46, 58	025-39683-000	739699	3	50
302	Fuseholder 3 Pole 30Amp 600V	46, 58	025-45048-003	826358	1	50
305	Fuse, Cartridge Type 30 Amp	46, 58	025-39683-000	739699	3	50
320	Fuse Block 3-Pole, 100A	46, 58	025-49626-000	5389752	1	50
321	Fuse Lpj 100A	46, 58	025-36180-000	919961	3	50
322	Fuse Block 3-Pole, 100A	46, 58	025-49626-000	5389752	1	50
323	Fuse Lpj 100A	46, 58	025-36180-000	919961	3	50
324	Fuse Block 3-Pole, 100A	46, 58	025-49626-000	5389752	1	50
325	Fuse Lpj 100A	46, 58	025-36180-000	919961	3	50
326	Fuse Block 3-Pole, 100A	46, 58	025-49626-000	5389752	1	50
327	Fuse Lpj 100A	46, 58	025-36180-000	919961	3	50
328	Fuse Block 3-Pole, 100A	46, 58	025-49626-000	5389752	1	50
329	Fuse Lpj 100A	46, 58	025-36180-000	919961	3	50
330	Fuse Block 3-Pole, 100A	46, 58	025-49626-000	5389752	1	50
331	Fuse Lpj 100A	46, 58	025-36180-000	919961	3	50
400	Relay 120 VAC 4No Din Rail AC=10.0A DC=	46, 58	024-37045-000	917838	1	50
401	Relay 120 VAC 4No Din Rail AC=10.0A DC=	46, 58	024-37045-000	917838	1	50
402	Relay 120 VAC 4No Din Rail AC=10.0A DC=	46, 58	024-37045-000	917838	1	50
403	Surge Suppressor	46, 58	031-02107-000	922201	3	50

**TABLE 79 - POWER PANEL MODEL 230 LOW SOUND, ULTRA QUIET FANS (PIN 52=X, L, V OR M) SP CIR-
 CUIT BREAKER W/ LOCKABLE HANDLE, 65KA SCWR (PIN 16 & 17=BC) (CONT'D)**

ITEM	DESCRIPTION	VOLTAGE	PART NUMBER	SAP	QTY	FIGURE
500	Contactora, 3-Pole, 12A, 600V	46, 58	024-34300-000	116967	1	50
501	Contactora, 3-Pole, 12A, 600V	46, 58	024-34300-000	116967	1	50
502	Contactora, 3-Pole, 12A, 600V	46, 58	024-34300-000	116967	1	50
503	Contactora, 3-Pole, 12A, 600V	46, 58	024-34300-000	116967	1	50
504	Contactora 18.0A DC= AC=600V 50/60Hz N/A	46, 58	024-34304-000	116970	1	50
505	Contactora 18.0A DC= AC=600V 50/60Hz N/A	46, 58	024-34304-000	116970	1	50
600	Contactora 115.0A DC= AC=600V 50/60Hz	46	024-37042-000	5393172	1	50
	Contactora 80.0A DC= AC=110-120V 50/60Hz	58	024-34310-000	116981	1	
601	Contactora 115.0A DC= AC=600V 50/60Hz	46	024-37042-000	5393172	1	50
	Contactora 80.0A DC= AC=110-120V 50/60Hz	58	024-34310-000	116981	1	
602	Contactora 115.0A DC= AC=600V 50/60Hz	46	024-37042-000	5393172	1	50
	Contactora 80.0A DC= AC=110-120V 50/60Hz	58	024-34310-000	116981	1	
603	Contactora 115.0A DC= AC=600V 50/60Hz	46	024-37042-000	5393172	1	50
	Contactora 80.0A DC= AC=110-120V 50/60Hz	58	024-34310-000	116981	1	
603	Contactora 115.0A DC= AC=600V 50/60Hz	46	024-37042-000	5393172	1	50
	Contactora 80.0A DC= AC=110-120V 50/60Hz	58	024-34310-000	116981	1	
604	Contactora 115.0A DC= AC=600V 50/60Hz	46	024-37042-000	5393172	1	50
	Contactora 80.0A DC= AC=110-120V 50/60Hz	58	024-34310-000	116981	1	
604	Contactora 115.0A DC= AC=600V 50/60Hz	46	024-37042-000	5393172	1	50
	Contactora 80.0A DC= AC=110-120V 50/60Hz	58	024-34310-000	116981	1	
605	Contactora 115.0A DC= AC=600V 50/60Hz	46	024-37042-000	5393172	1	50
	Contactora 80.0A DC= AC=110-120V 50/60Hz	58	024-34310-000	116981	1	
605	Contactora 115.0A DC= AC=600V 50/60Hz	46	024-37042-000	5393172	1	50
	Contactora 80.0A DC= AC=110-120V 50/60Hz	58	024-34310-000	116981	1	

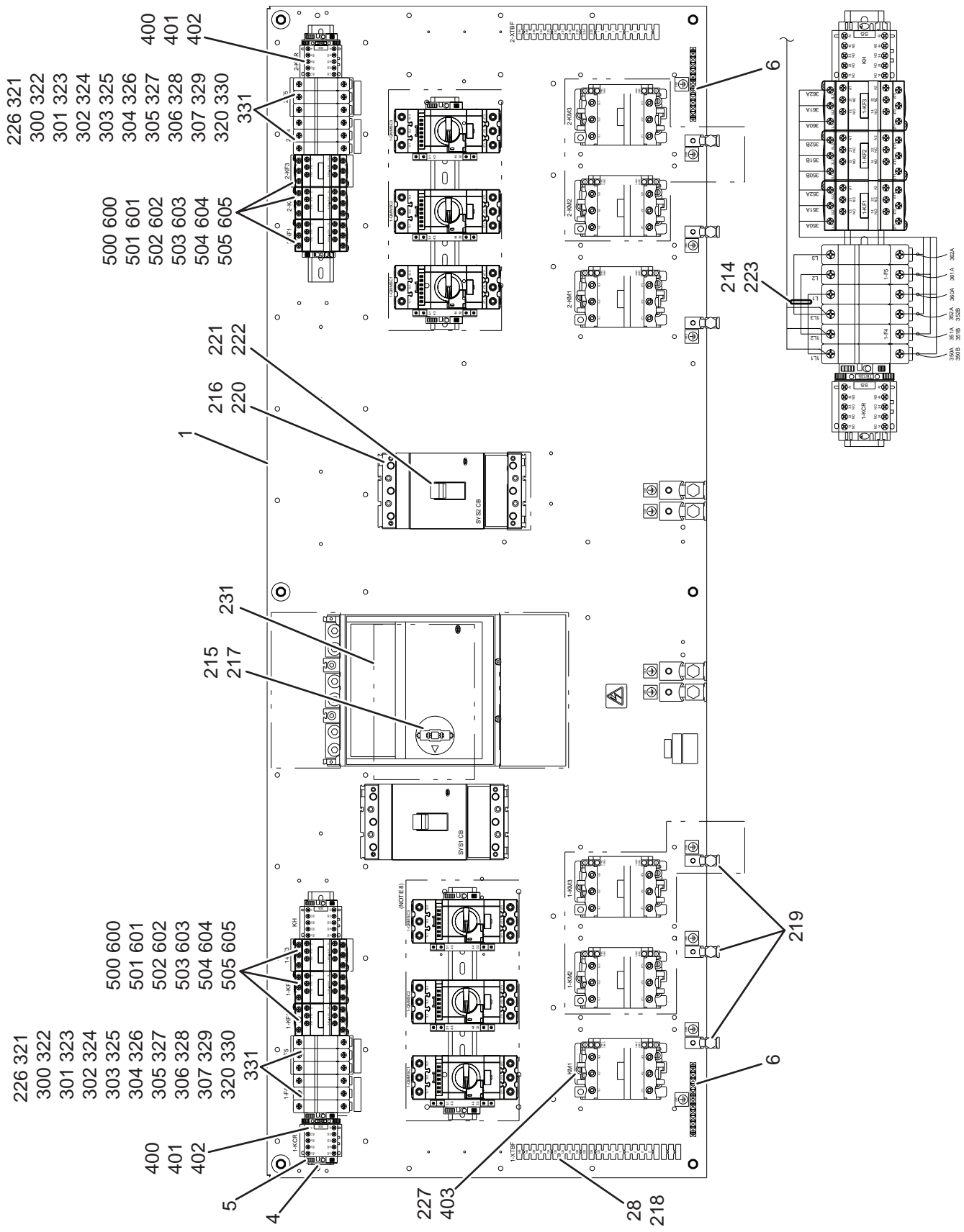


FIGURE 51 - POWER PANEL MODEL 230 LOW SOUND, ULTRA QUIET FANS (PIN 52=X, L, V OR M) SP CIRCUIT BREAKER W/ LOCKABLE HANDLE, 65KA SCWR (PIN 16 & 17=BC)

LD2318!

TABLE 80 - POWER PANEL MODEL 200 HIGH AIR FLOW (PIN 52=G) SP CIRCUIT BREAKER W/ LOCKABLE HANDLE, 65KA SCWR (PIN 16 & 17=BC)

ITEM	DESCRIPTION	VOLTAGE	PART NUMBER	SAP	QTY	FIGURE
1	Power Back Panel	ALL	071-08132-000	5380989	1	51
4	Din Rail L=381.00Mm W=35.00Mm D=7.50Mm	ALL	071-05906-150	839877	4	51
5	Terminal, End Bracket	ALL	025-39406-000	739625	20	51
6	Ground Bar, 4-Pole	ALL	025-35685-000	5380956	4	51
23	Fan Bracket	ALL	071-08154-000	5389690	2	*
27	Edge Guard 75-1/8-B-3-Alum #	ALL	026-50301-000	5389691	2	*
28	Terminal Block P=3 22-10Awg	ALL	025-38103-000	5380957	1	51
121	Top Cover For Terminal Block	ALL	025-49625-000	5391066	1	51
122	Power Distribution Block 3 Pole, 175A	ALL	025-49624-000	5389729	1	51
123	Top Cover For Terminal Block	ALL	025-49625-000	5391066	1	51
124	Power Distribution Block 3 Pole, 175A	ALL	025-49624-000	5389729	1	51
205	Circuit Breaker 600.0A 600V 3Pole	40	024-37006-000	5389742	1	51
	Circuit Breaker 600.0A 600V 3Pole	46	024-37004-000	1179201	1	
206	Shaft, Operator, 8.9"/225Mm	ALL	024-37047-000	1044633	1	51
207	Handle Variable Depth T6	ALL	024-37559-000	927966	1	51
208	Ground Lug, Copper	40	025-34086-000	5389656	2	51
	Lug Wire 3/0Awg Contact Terminal 90.0Deg	46	025-34085-000	901798	2	
209	Ground Lug, Copper	ALL	025-34088-000	117638	6	51
210	Lug Kit For Cb Handle	ALL	025-34415-000	117668	1	51
211	Handle Circuit Breaker	ALL	025-35697-000	53441	1	51
212	115V Control Harness	ALL	025-49495-000	5389704	1	See Table 83
213	115V Cont Add-On Harness	ALL	025-49496-004	5389728	1	*
214	115V Cont Add-On Harness	ALL	025-49496-008	5389848	1	*
215	Power Harness	40	025-49582-007	5389850	1	*
	Power Harness	46	025-49582-008	5389851	1	
216	Surge Suppressor	ALL	031-00808-000	618876	6	51
217	Clip-On Rc Circ.110-240V, D09-D38 & Cad	ALL	031-02106-000	922180	12	*
220	Insulating Material S6/T6/S7/T7 Iso/T-Ma	ALL	071-04351-003	5394398	1	51
221	Ylaa Compressor Circuit Breaker Option	ALL	371-08572-000	5390391	1	51
300	Fuseholder 3 Pole 30Amp 600V	40	025-45048-003	826358	1	51
301	Fuse Type=Classcc 17.50A 600V Time Delay	40	025-49627-000	5389686	3	51
	Fuse, Cartridge Type 15 Amp	46	025-34141-000	739008	3	
302	Fuseholder 3 Pole 30Amp 600V	40	025-45048-003	826358	1	51
303	Fuse Type=Classcc 17.50A 600V Time Delay	40	025-49627-000	5389686	3	51
	Fuse, Cartridge Type 15 Amp	46	025-34141-000	739008	3	
304	Fuseholder 3 Pole 30Amp 600V	40	025-45048-003	826358	1	51
305	Fuse Type=Classcc 17.50A 600V Time Delay	40	025-49627-000	5389686	3	51
	Fuse, Cartridge Type 15 Amp	46	025-34141-000	739008	3	
306	Fuseholder 3 Pole 30Amp 600V	40	025-45048-003	826358	1	51
307	Fuse Type=Classcc 17.50A 600V Time Delay	40	025-49627-000	5389686	3	51
	Fuse, Cartridge Type 15 Amp	46	025-34141-000	739008	3	
308	Fuseholder 3 Pole 30Amp 600V	40	025-45048-003	826358	1	51

TABLE 80 - POWER PANEL MODEL 200 HIGH AIR FLOW (PIN 52=G) SP CIRCUIT BREAKER W/ LOCK-ABLE HANDLE, 65KA SCWR (PIN 16 & 17=BC) (CONT'D)

ITEM	DESCRIPTION	VOLTAGE	PART NUMBER	SAP	QTY	FIGURE
309	Fuse Type=Classcc 17.50A 600V Time Delay	40	025-49627-000	5389686	3	51
	Fuse, Cartridge Type 15 Amp	46	025-34141-000	739008	3	
310	Fuseholder 3 Pole 30Amp 600V	40	025-45048-003	826358	1	51
311	Fuse Type=Classcc 17.50A 600V Time Delay	40	025-49627-000	5389686	3	51
	Fuse, Cartridge Type 15 Amp	46	025-34141-000	739008	3	
400	Relay 120 VAC 4No Din Rail AC=10.0A DC=	ALL	024-37045-000	917838	1	51
401	Relay 120 VAC 4No Din Rail AC=10.0A DC=	ALL	024-37045-000	917838	1	51
402	Relay 120 VAC 4No Din Rail AC=10.0A DC=	ALL	024-37045-000	917838	1	51
403	Surge Suppresor	ALL	031-02107-000	922201	3	51
500	Contactora, 3-Pole, 12A, 600V	ALL	024-34300-000	116967	1	51
501	Contactora, 3-Pole, 12A, 600V	ALL	024-34300-000	116967	1	51
502	Contactora, 3-Pole, 12A, 600V	ALL	024-34300-000	116967	1	51
503	Contactora, 3-Pole, 12A, 600V	ALL	024-34300-000	116967	1	51
504	Contactora, 3-Pole, 12A, 600V	ALL	024-34300-000	116967	1	51
505	Contactora, 3-Pole, 12A, 600V	ALL	024-34300-000	116967	1	51
506	Contactora, 3-Pole, 12A, 600V	ALL	024-34300-000	116967	1	51
507	Contactora, 3-Pole, 12A, 600V	ALL	024-34300-000	116967	1	51
508	Contactora, 3-Pole, 12A, 600V	ALL	024-34300-000	116967	1	51
509	Contactora, 3-Pole, 12A, 600V	ALL	024-34300-000	116967	1	51
510	Contactora, 3-Pole, 12A, 600V	ALL	024-34300-000	116967	1	51
511	Contactora, 3-Pole, 12A, 600V	ALL	024-34300-000	116967	1	51
600	Contactora 115.0A DC= AC=600V 50/60Hz	40	024-37042-000	5393172	1	51
	Contactora 80.0A DC= AC=110-120V 50/60Hz	46	024-34310-000	116981	1	
601	Contactora 115.0A DC= AC=600V 50/60Hz	40	024-37042-000	5393172	1	51
	Contactora 80.0A DC= AC=110-120V 50/60Hz	46	024-34310-000	116981	1	
602	Contactora 115.0A DC= AC=600V 50/60Hz	40	024-37042-000	5393172	1	51
	Contactora 80.0A DC= AC=110-120V 50/60Hz	46	024-34310-000	116981	1	
603	Contactora 115.0A DC= AC=600V 50/60Hz	40	024-37042-000	5393172	1	51
	Contactora 80.0A DC= AC=110-120V 50/60Hz	46	024-34310-000	116981	1	
604	Contactora 115.0A DC= AC=600V 50/60Hz	40	024-37042-000	5393172	1	51
	Contactora 80.0A DC= AC=110-120V 50/60Hz	46	024-34310-000	116981	1	
605	Contactora 115.0A DC= AC=600V 50/60Hz	40	024-37042-000	5393172	1	51
	Contactora 80.0A DC= AC=110-120V 50/60Hz	46	024-34310-000	116981	1	

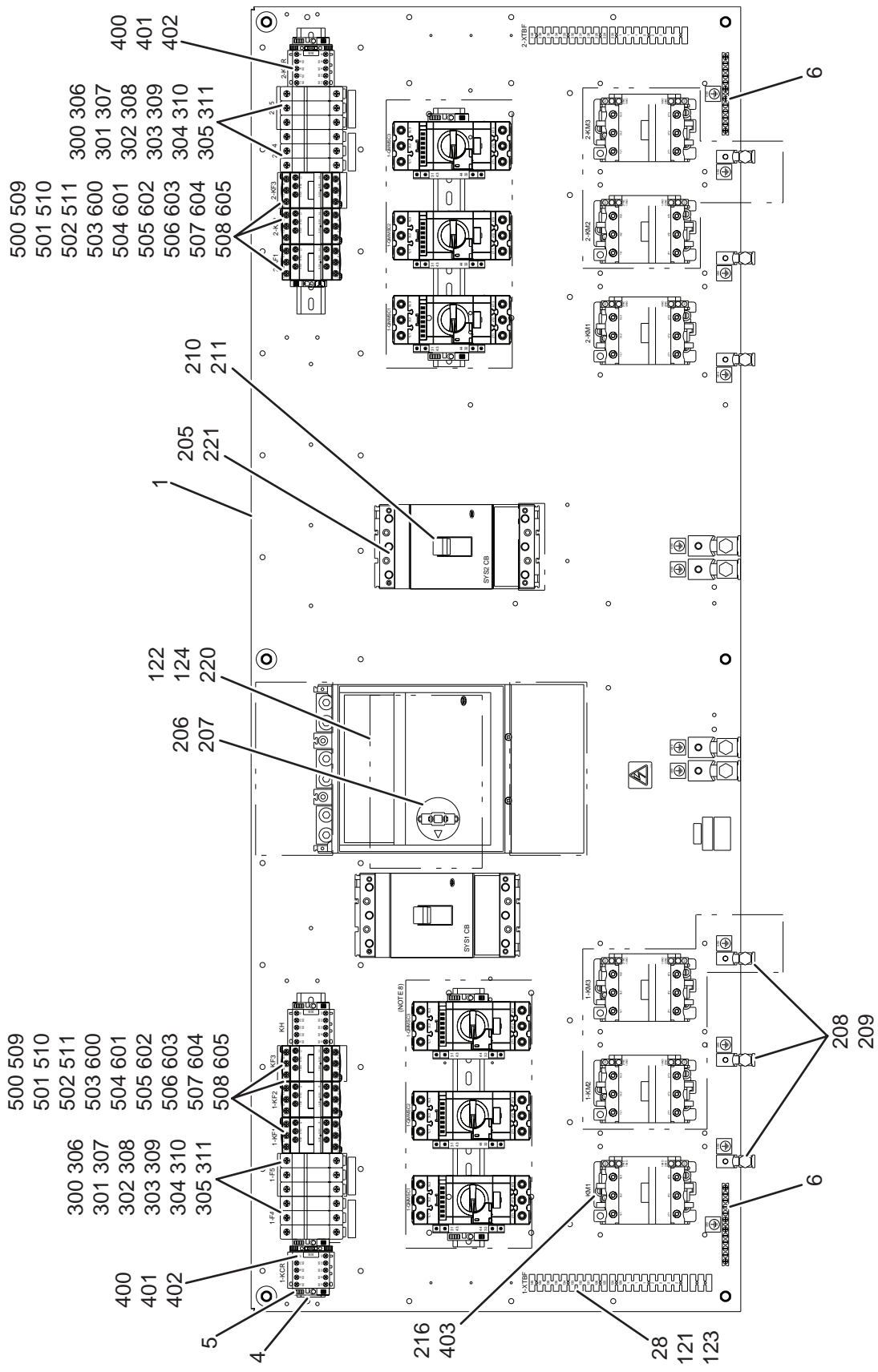


FIGURE 52 - POWER PANEL MODEL 200 HIGH AIR FLOW (PIN 52=G) SP CIRCUIT BREAKER W/ LOCKABLE HANDLE, 65KA SCWR (PIN 16 & 17=BC)

TABLE 81 - POWER PANEL MODEL 230 HIGH AIR FLOW (PIN 52=G) SP CIRCUIT BREAKER W/ LOCKABLE HANDLE, 65KA SCWR (PIN 16 & 17=BC)

ITEM	DESCRIPTION	PART NUMBER	SAP	QTY	FIGURE
1	Power Back Panel	071-08132-000	5380989	1	52
4	Din Rail L=381.00Mm W=35.00Mm D=7.50Mm	071-05906-150	839877	4	52
5	Terminal, End Bracket	025-39406-000	739625	20	52
6	Ground Bar, 4-Pole	025-35685-000	5380956	4	52
23	Fan Bracket	071-08154-000	5389690	2	*
27	Edge Guard 75-1/8-B-3-Alum #	026-50301-000	5389691	2	*
28	Terminal Block P=3 22-10Awg	025-38103-000	5380957	1	52
121	Top Cover For Terminal Block	025-49625-000	5391066	1	52
122	Power Distribution Block 3 Pole, 175A	025-49624-000	5389729	1	52
123	Top Cover For Terminal Block	025-49625-000	5391066	1	52
124	Power Distribution Block 3 Pole, 175A	025-49624-000	5389729	1	52
214	Shaft, Operator	024-31879-000	735871	1	52
215	Circuit Breaker 600.0A 600V 3Pole	024-37006-000	5389742	1	52
216	Handle Variable Depth T6	024-37559-000	927966	1	52
217	Lug Wire 3/0Awg Contact Terminal 90.0Deg	025-34085-000	901798	3	52
218	Ground Lug, Copper	025-34088-000	117638	6	52
219	Lug Kit Circuit Breaker	025-34414-000	117667	1	52
220	Lug Kit For Cb Handle	025-34415-000	117668	1	52
221	Handle Circuit Breaker	025-35697-000	53441	1	52
222	115V Control Harness	025-49495-000	5389704	1	See Table 83
223	115V Cont Add-On Harness	025-49496-004	5389728	1	*
224	115V Cont Add-On Harness	025-49496-008	5389848	1	*
225	Half Pwr Harness	025-49519-011	5462619	1	*
226	Surge Suppressor	031-00808-000	618876	6	52
227	Clip-On Rc Circ.110-240V, D09-D38 & Cad	031-02106-000	922180	12	*
230	Insulating Material S6/T6/S7/T7 Iso/T-Ma	071-04351-003	5394398	1	52
231	Ylaa 225 Compressor Fuse Option	371-08573-086	5462624	1	52
300	Fuseholder 3 Pole 30Amp 600V	025-45048-003	826358	1	52
301	Fuse, Cartridge Type 15 Amp	025-34141-000	739008	3	52
302	Fuseholder 3 Pole 30Amp 600V	025-45048-003	826358	1	52
303	Fuse, Cartridge Type 15 Amp	025-34141-000	739008	3	52
304	Fuseholder 3 Pole 30Amp 600V	025-45048-003	826358	1	52
305	Fuse, Cartridge Type 15 Amp	025-34141-000	739008	3	52
306	Fuseholder 3 Pole 30Amp 600V	025-45048-003	826358	1	52
307	Fuse, Cartridge Type 15 Amp	025-34141-000	739008	3	52
308	Fuseholder 3 Pole 30Amp 600V	025-45048-003	826358	1	52
309	Fuse, Cartridge Type 15 Amp	025-34141-000	739008	3	52
310	Fuseholder 3 Pole 30Amp 600V	025-45048-003	826358	1	52
311	Fuse, Cartridge Type 15 Amp	025-34141-000	739008	3	52
400	Relay 120 VAC 4No Din Rail AC=10.0A DC=	024-37045-000	917838	1	52
401	Relay 120 VAC 4No Din Rail AC=10.0A DC=	024-37045-000	917838	1	52
402	Relay 120 VAC 4No Din Rail AC=10.0A DC=	024-37045-000	917838	1	52
403	Surge Suppressor	031-02107-000	922201	3	52
500	Contact, 3-Pole, 12A, 600V	024-34300-000	116967	1	52

TABLE 81 - POWER PANEL MODEL 230 HIGH AIR FLOW (PIN 52=G) SP CIRCUIT BREAKER W/ LOCK-ABLE HANDLE, 65KA SCWR (PIN 16 & 17=BC) (CONT'D)

ITEM	DESCRIPTION	PART NUMBER	SAP	QTY	FIGURE
501	Contactora, 3-Pole, 12A, 600V	024-34300-000	116967	1	52
502	Contactora, 3-Pole, 12A, 600V	024-34300-000	116967	1	52
503	Contactora, 3-Pole, 12A, 600V	024-34300-000	116967	1	52
504	Contactora, 3-Pole, 12A, 600V	024-34300-000	116967	1	52
505	Contactora, 3-Pole, 12A, 600V	024-34300-000	116967	1	52
506	Contactora, 3-Pole, 12A, 600V	024-34300-000	116967	1	52
507	Contactora, 3-Pole, 12A, 600V	024-34300-000	116967	1	52
508	Contactora, 3-Pole, 12A, 600V	024-34300-000	116967	1	52
509	Contactora, 3-Pole, 12A, 600V	024-34300-000	116967	1	52
510	Contactora, 3-Pole, 12A, 600V	024-34300-000	116967	1	52
511	Contactora, 3-Pole, 12A, 600V	024-34300-000	116967	1	52
600	Contactora 115.0A DC= AC=600V 50/60Hz	024-37042-000	5393172	1	52
601	Contactora 115.0A DC= AC=600V 50/60Hz	024-37042-000	5393172	1	52
602	Contactora 115.0A DC= AC=600V 50/60Hz	024-37042-000	5393172	1	52
603	Contactora 115.0A DC= AC=600V 50/60Hz	024-37042-000	5393172	1	52
604	Contactora 115.0A DC= AC=600V 50/60Hz	024-37042-000	5393172	1	52
605	Contactora 115.0A DC= AC=600V 50/60Hz	024-37042-000	5393172	1	52

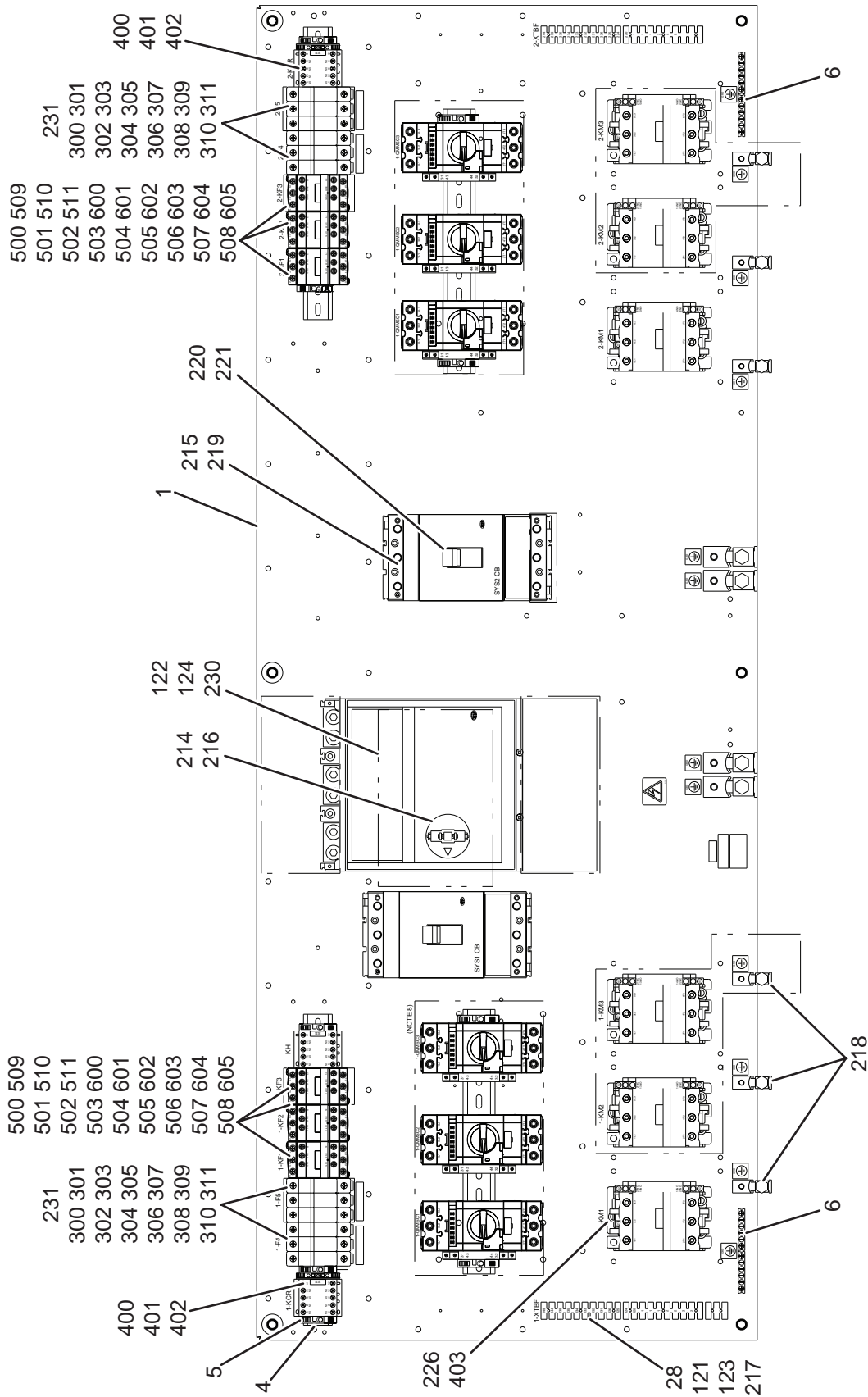


FIGURE 53 - POWER PANEL MODEL 230 HIGH AIR FLOW (PIN 52=G) SP CIRCUIT BREAKER W/ LOCKABLE HANDLE, 65KA SCWR (PIN 16 & 17=BC)

LD23187

TABLE 82 - MICRO PANEL PER R-1159

ITEM	DESCRIPTION	PART NUMBER	SAP	QTY	FIGURE
1	Micro Back Panel	071-08131-000	5380988	1	53
2	Kit Stc Glob Scroll I/O & Ctrl	331-02550-605	1048230	1	53
9	Transformer Class 2	025-27911-000	1312	1	53
10	Fuse Type=Timedelay 10.00A 600V None	025-34430-000	117676	2	53
13	Harness - Micro Elv,	025-49446-000	5380961	1	53
	Wire Insulated 18Awg Single Core Brown	025-34187-000	839738	38	
	Cable W=16 18Awg 300V Wo/Earth Cu Round	025-33771-000	5380953	1	
	Sleeve 18Awg Ins Yellow L=15.00Mm D	025-42177-000	5380958	8	
	Term Wire 22-16 Awg	025-19408-000	737521	1	
	Cont Soc Awg Wire Size 20	025-19674-000	737537	12	
	Term Push-On Faston	025-23735-000	117310	2	
	Contact Socket Mini Universal	025-28386-000	737925	2	
	Contact, Pin Mini Universal	025-30999-000	738540	3	
	Term Push On Flag With	025-21771-000	737665	2	
	Hsg Connr Soc Comm 3 Ckt Nat	025-21137-000	737637	1	
	Hsg Connr Soc Comm 12 Ckt Nat	025-18955-000	737513	1	
	Terminal Block P=10 22-10Awg	025-35641-000	5380955	2	
	Hsg Connr Plug Mini 4 Ckt Nat	025-28959-000	738246	1	
	Hsg Connr Plug Mini 15 Ckt Nat	025-28385-000	62718	1	
14	Harness - Micro Logic,	025-49448-000	5380962	1	53
	Din Rail L=203.20Mm W=35.00Mm D=7.50Mm	071-05906-080	839863	1	
	Terminal, End Bracket	025-39406-000	739625	2	
	Jumper (2 Pos)	025-37678-000	445015	1	
	External Bridge 3 Position	025-49573-000	5394422	1	
	Fuseholder 1 Pole 30Amp 600V	025-45048-001	826356	2	
	Term Blk Ground Wpe 4	025-39407-000	467020	1	
	End Barriers For Terminal Block	025-39408-000	886667	1	
	Terminal	025-39405-000	445012	18	
	Socket Block, 9-Position (Orange)	025-49781-000	5380970	1	
	Terminal Block P=4 30-12Awg	025-35627-000	117732	1	
	Pcb Connector, Female, 10- Position	025-29195-000	117472	2	
	Term Wire 22-16 Awg	025-19408-000	737521	1	
	Term Faston .250 Series Awg	025-30996-000	738538	2	
	Connector Receptacle Cap 15 R=5 6.35Mm	025-20788-000	737570	1	
	Connector Plug 15 R=5 6.35Mm	025-20918-000	737623	1	
	Term Pin Wire Range 20-14	025-22214-000	144768	15	
	Cont Soc Wire Range 20-14	025-22215-000	62701	15	
	Ferrule	025-42178-000	1187210	8	
	Wire Elec 16 Awg Grn/Yel Per	025-34026-000	738982	1	
	Wire Elec 16 Awg Lt Blue Or	025-34022-000	738979	5	
	Wire Elec 16 Awg Red	025-25474-000	737714	45	
	Wire Insulated 16Awg 105°C Orange 26	025-49564-000	5380968	21	
16	Rail Support For Terminal Block	026-50297-000	5380971	2	53
17	Flash Card Programmed	031-02755-004	744085	1	53

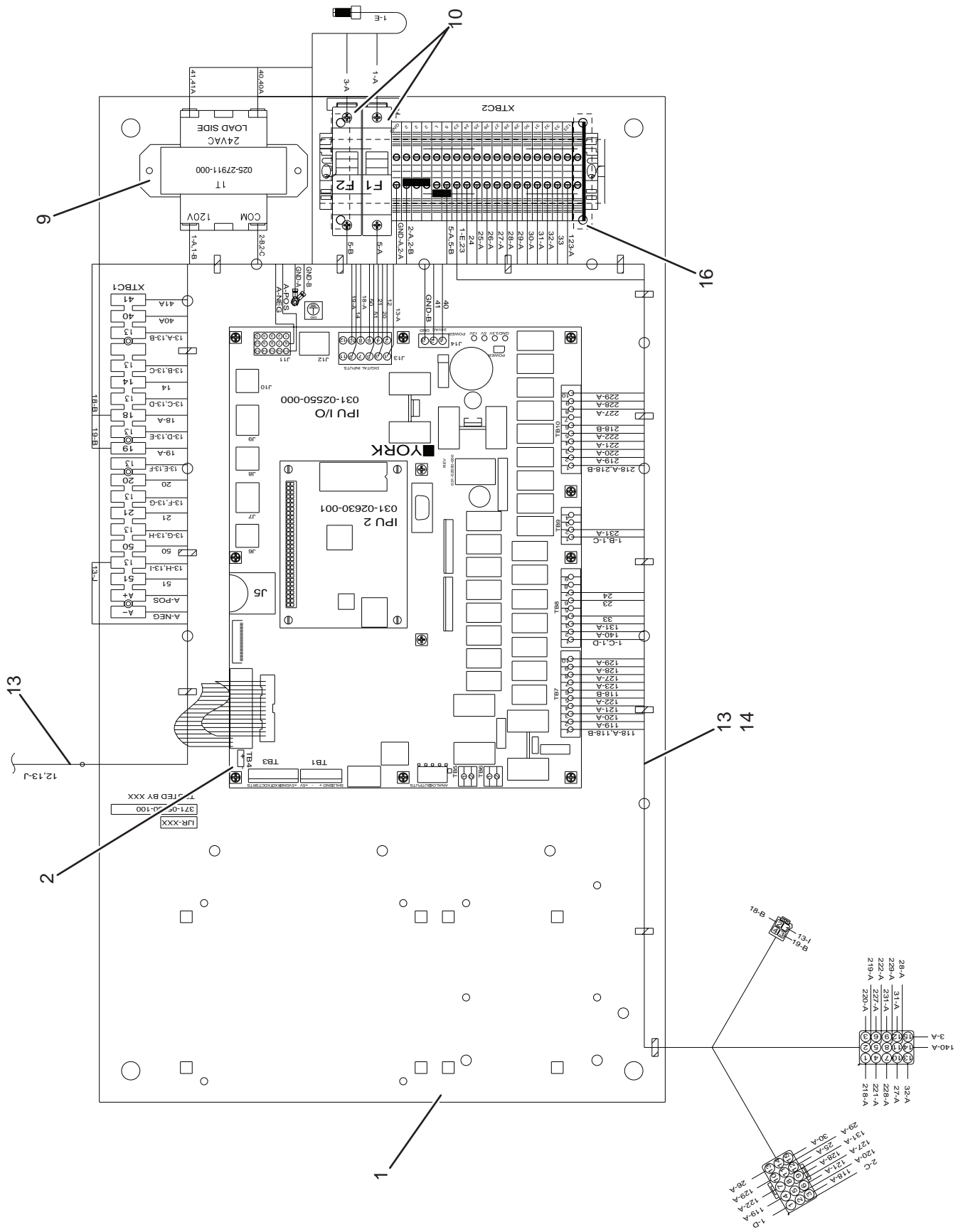


FIGURE 54 - MICRO PANEL PER R-1159

LD23188

TABLE 83 - POWER PANEL HARNESSSES (MODELS 200, 230)

DESCRIPTION	PART NUMBER	SAP	QTY
115V Control Harness	025-49495-000	5389704	
Ferrule	025-42178-000	1187210	44
Term Pin Wire Range 20-14	025-22214-000	144768	15
Cont Soc Wire Range 20-14	025-22215-000	62701	15
Contact Socket Mini Universal	025-28386-000	737925	3
Wire Elec 16 Awg Lt Blue Or	025-34022-000	738979	57
Wire Elec 16 Awg Red Per Aso	025-34018-000	738975	170.5
Wire Insulated 16Awg 105°C Orange 26	025-49564-000	5380968	54
Wire Insulated 18Awg Single Core Brown	025-34187-000	839738	14
Connector Plug 15 R=5 6.35Mm	025-20918-000	737623	1
Connector Receptacle Cap 15 R=5 6.35Mm	025-20788-000	737570	1
Hsg Connr Cap Mini 4 Ckt	025-32962-000	738788	1
Terminal Block P=10 22-10Awg	025-35641-000	5380955	4
Sleeve 18Awg Ins Yellow L=15.00Mm D	025-42177-000	5380958	1
Strap, Cable	025-42591-000	740126	90
Terminal Block, 12-Position	025-39812-000	643591	2
115V Control Harness	025-49458-000	5380963	
Ferrule	025-42178-000	1187210	43
Term Pin Wire Range 20-14	025-22214-000	144768	15
Cont Soc Wire Range 20-14	025-22215-000	62701	15
Contact Socket Mini Universal	025-28386-000	737925	3
Wire Elec 16 Awg Lt Blue Or	025-34022-000	738979	49.5
Wire Elec 16 Awg Red	025-25474-000	737714	157
Wire Insulated 16Awg 105°C Orange 26	025-49564-000	5380968	53
Wire Insulated 18Awg Single Core Brown	025-34187-000	839738	14
Connector Plug 15 R=5 6.35Mm	025-20918-000	737623	1
Connector Receptacle Cap 15 R=5 6.35Mm	025-20788-000	737570	1
Hsg Connr Cap Mini 4 Ckt	025-32962-000	738788	1
Terminal Block P=10 22-10Awg	025-35641-000	5380955	4
Sleeve 18Awg Ins Yellow L=15.00Mm D	025-42177-000	5380958	1
Power Harness - Sp Disc	025-49519-005	5380966	
Wire Elec 8 Awg Blk Per Aso	025-34008-000	738973	18.1
Term Ring Tongue	025-39986-000	739738	3
Wire Elec 10 Awg Blk Per Aso	025-34007-000	738972	21
Lug Wire 8Awg Blade Terminal 180.0Deg	025-49563-000	5380967	6
Wire Insulated 2Awg 105°C Black 1 Core	025-34011-000	117636	58.5
Lug Wire 4/0Awg Ring Terminal 180.0°	025-34046-000	1150540	6
Tubing Heat Shrinkable 3/8 Id	025-35963-000	739252	1.5
Tubing Heat Shrinkable 1.5" Id	025-29658-000	738310	18

TABLE 83 - POWER PANEL HARNESSSES (MODELS 200, 230) (CONT'D)

DESCRIPTION	PART NUMBER	SAP	QTY
Power Harness - Sp Disc	025-49519-003	5380965	
Wire Elec 10 Awg Blk Per Aso	025-34007-000	738972	18.1
Term Ring Tongue	025-39986-000	739738	3
Wire Elec 14 Awg Blk Per Aso	025-34005-000	738970	21
Lug Wire 8Awg Blade Terminal 180.0Deg	025-49563-000	5380967	6
Wire Insulated 6Awg 105°C Black 1 Core	025-34009-000	1110125	58.5
Lug Wire 2Awg Ring Terminal 180.0°	025-34041-000	1115125	6
Tubing Heat Shrinkable 3/8 Id	025-35963-000	739252	1.5
Tubing Heat Shrink 0.750 Id	025-31799-000	738651	1

TABLE 84 - HOT GAS BY-PASS STANDARD VALVES (PIN 32 = X) MODELS YLAA0058 - YLAA0089

ITEM	DESCRIPTION	MODEL	PART NUMBER	SAP	FIGURE
1	Pipe Hot Gas By-Pass	YLAA0058	092-07688-802	1086371	55
		YLAA0065	092-07688-724	1071735	
		YLAA0070, YLAA0080, YLAA0089	092-07688-023	830254	
		YLAA0081	092-29430-071	5295759	
2	Tee Sld C X C X C 1-3/8 X	YLAA0058	023-02714-000	731674	55
		YLAA0065 - YLAA0089	023-00289-000	371708	
3	Pipe, Hot Gas By-Pass	YLAA0058	092-07688-725	1071736	55
		YLAA0065	092-07688-795	1086365	
		YLAA0070, YLAA0080, YLAA0089	092-07688-022	830253	
		YLAA0081	092-07688-795	1086365	
4	Pipe Hot Gas By Pass	YLAA0058	092-07688-791	1086361	55
		YLAA0065	092-07688-793	1086363	
		YLAA0070, YLAA0080, YLAA0089	092-07688-717	1071670	
		YLAA0081	092-07688-980	5295726	
5	Valve Solenoid Hgb-8	YLAA0058 - YLAA0089	025-40962-000	739962	55
6	Pipe, Hot Gas By-Pass	YLAA0058 - YLAA0089	092-07688-718	1071731	55
7	Valve, Solenoid	YLAA0058 - YLAA0089	025-41558-000	739986	55
8	Pipe, Hot Gas By-Pass	YLAA0058 - YLAA0089	092-07688-761	1071737	55
9	Valve Ball 7/8 Od (C X C)	YLAA0058 - YLAA0089	022-11742-000	731434	55
10	Pipe Hot Gas By Pass	YLAA0058, YLAA0065	092-07688-792	1086362	55
		YLAA0070, YLAA0080, YLAA0089	092-07688-719	1071732	
		YLAA0081	092-07688-794	1086364	
11	Tee Sld C X C X C 1-3/8 X	YLAA0058, YLAA0065	023-00289-000	371708	55
		YLAA0070 - YLAA0089	023-02680-000	731667	
12	Bracket Hot Gas Bypass Support	YLAA0058 - YLAA0089	092-07700-057	1071738	55
13	Clamp Tube 7/8 Id	YLAA0058 - YLAA0089	075-50979-078	518760	55
19	Saddle Ftg .875 Od X .25 Fpt	YLAA0058 - YLAA0089	023-20076-001	733123	55
20	Valve Isln Angle Sc 1/4In Conmix Br	YLAA0058 - YLAA0089	022-00009-000	257712	55
21	Wiring Harness (1-YHGSV)	YLAA0058 - YLAA0089	575-72382-227	808306	55

TABLE 85 - HOT GAS BY-PASS STANDARD VALVES (PIN 32 = X) MODEL YLAA0092

ITEM	DESCRIPTION	PART NUMBER	SAP	FIGURE
1	Pipe, Hot Gas	092-07688-393	857615	56
2	Pipe, Hot Gas	092-07688-395	857617	56
3	Pipe, Hot Gas By-Pass	092-07688-762	1073541	56
4	Pipe, Hot Gas By-Pass	092-07688-763	1073542	56
5	Pipe, Hot Gas By-Pass	092-07688-764	1073543	56
6	Pipe, Hot Gas By-Pass	092-07688-767	1073546	56
7	Tee Sld C X C X C 1-3/8 X	023-00289-000	371708	56
8	Tee Sld C X C X C 1-5/8 X	023-02680-000	731667	56
9	Saddle Ftg .875 Od X .25 Fpt	023-20076-001	733123	56
10	Valve Isln Angle Sc 1/4In Conmix Br	022-00009-000	257712	56
11	Clamp Tube 7/8 Id	075-50979-078	518760	56
13	Valve Solenoid Hgb-8	025-40962-000	739962	56
14	Valve, Solenoid	025-41558-000	739986	56
15	Valve Ball 7/8 Od (C X C)	022-11742-000	731434	56
16	Wiring Harness (1-YHGSV)	575-72382-227	808306	56
18	Bracket Hot Gas Bypass Support	092-07700-057	1071738	56

**TABLE 86 - HOT GAS BY-PASS ELECTRONIC EXPANSION VALVES (PIN 32 = E)
MODELS YLAA0058 - YLAA0089**

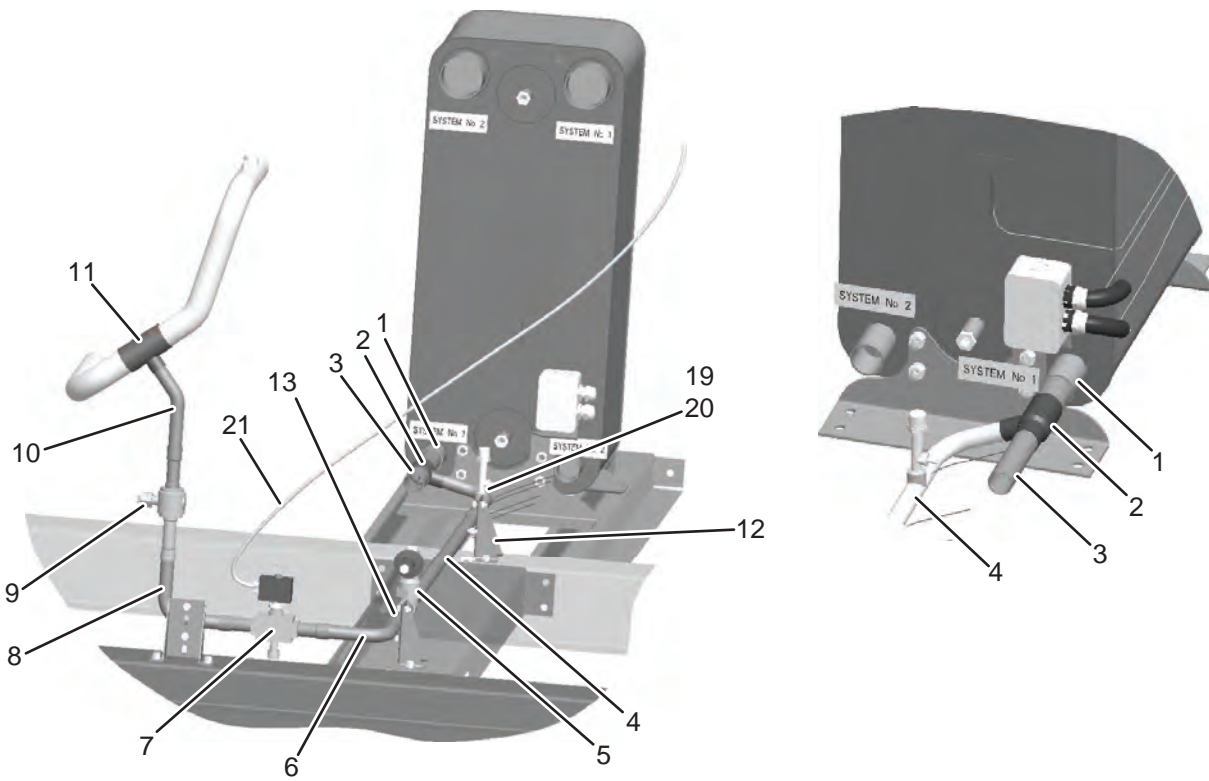
ITEM	DESCRIPTION	MODEL	PART NUMBER	SAP	FIGURE
1	Pipe EEV Hot Gas By Pass	YLAA0058	092-07688-800	1086369	55
		YLAA0065 - YLAA0080, YLAA0089	092-07688-724	1071735	
		YLAA0081	092-29430-071	5295759	
2	Tee Sld C X C X C 1-3/8 X	YLAA0058	023-02713-000	731673	55
		YLAA0065, YLAA0081	023-00289-000	371708	
		YLAA0070	023-02713-000	731673	
		YLAA0080, YLAA0089	023-02714-000	731674	
3	Pipe Hot Gas By-Pass	YLAA0058	092-07688-801	1086370	55
		YLAA0065	092-07688-797	1086367	
		YLAA0070	092-07688-398	857136	
		YLAA0080, YLAA0089	092-07688-725	1071736	
		YLAA0081	092-07688-795	1086365	
4	Pipe EEV Hot Gas By Pass	YLAA0058	092-07688-799	1086368	55
		YLAA0065	092-07688-793	1086363	
		YLAA0070, YLAA0080, YLAA0089	092-07688-717	1071670	
		YLAA0081	092-07688-980	5295726	
5	Valve Solenoid Hgb-8	YLAA0058 - YLAA0089	025-40962-000	739962	55
6	Pipe, Hot Gas By-Pass	YLAA0058 - YLAA0089	092-07688-718	1071731	55
7	Valve, Solenoid	YLAA0058 - YLAA0089	025-41558-000	739986	55
8	Pipe, Hot Gas By-Pass	YLAA0058 - YLAA0089	092-07688-761	1071737	55
9	Valve Ball 7/8 Od (C X C)	YLAA0058 - YLAA0089	022-11742-000	731434	55
10	Pipe Hot Gas By Pass	YLAA0058, YLAA0065	092-07688-792	1086362	55
		YLAA0070, YLAA0080, YLAA0089	092-07688-719	1071732	
		YLAA0081	092-07688-794	1086364	
11	Tee Sld C X C X C 1-3/8 X	YLAA0058, YLAA0065	023-00289-000	371708	55
		YLAA0070 - YLAA0089	023-02680-000	731667	
12	Bracket Hot Gas Bypass Support	YLAA0058 - YLAA0089	092-07700-057	1071738	55
13	Clamp Tube 7/8 Id	YLAA0058 - YLAA0089	075-50979-078	518760	55
19	Saddle Ftg .875 Od X .25 Fpt	YLAA0058 - YLAA0089	023-20076-001	733123	55
20	Valve Isln Angle Sc 1/4In Conmix Br	YLAA0058 - YLAA0089	022-00009-000	257712	55
21	Wiring Harness (1-YHGSV)	YLAA0058 - YLAA0089	575-72382-227	808306	55

**TABLE 87 - HOT GAS BY-PASS ELECTRONIC EXPANSION VALVES (PIN 32 = E)
 MODELS YLAA0092 - YLAA0120**

ITEM	DESCRIPTION	MODELS	PART NUMBER	SAP	FIGURE
1	Pipe, Hot Gas	YLAA0092 - YLAA0120	092-07688-393	857615	56
2	Pipe, Hot Gas	YLAA0092 - YLAA0120	092-07688-395	857617	56
3	Pipe, Hot Gas By-Pass	YLAA0092 - YLAA0120	092-07688-762	1073541	56
4	Pipe, Hot Gas By-Pass	YLAA0092 - YLAA0120	092-07688-763	1073542	56
5	Pipe, Hot Gas By-Pass	YLAA0092 - YLAA0120	092-07688-764	1073543	56
6	Pipe, Hot Gas By-Pass	YLAA0092 - YLAA0101	092-07688-765	1073544	56
		YLAA0115, YLAA0120	092-07688-766	1073545	
7	Tee Sld C X C X C 1-3/8 X	YLAA0092 - YLAA0120	023-00289-000	371708	56
8	Tee Sld C X C X C 1-5/8 X	YLAA0092 - YLAA0120	023-02680-000	731667	56
9	Saddle Ftg .875 Od X .25 Fpt	YLAA0092 - YLAA0120	023-20076-001	733123	56
10	Valve Isln Angle Sc 1/4In Conmix Br	YLAA0092 - YLAA0120	022-00009-000	257712	56
11	Clamp Tube 7/8 Id	YLAA0092 - YLAA0120	075-50979-078	518760	56
13	Valve Solenoid Hgb-8	YLAA0092 - YLAA0120	025-40962-000	739962	56
14	Valve, Solenoid	YLAA0092 - YLAA0120	025-41558-000	739986	56
15	Valve Ball 7/8 Od (C X C)	YLAA0092 - YLAA0120	022-11742-000	731434	56
16	Wiring Harness (1-YHGSV)	YLAA0092 - YLAA0120	575-72382-227	808306	56
18	Bracket Hot Gas Bypass Support	YLAA0092 - YLAA0120	092-07700-057	1071738	56

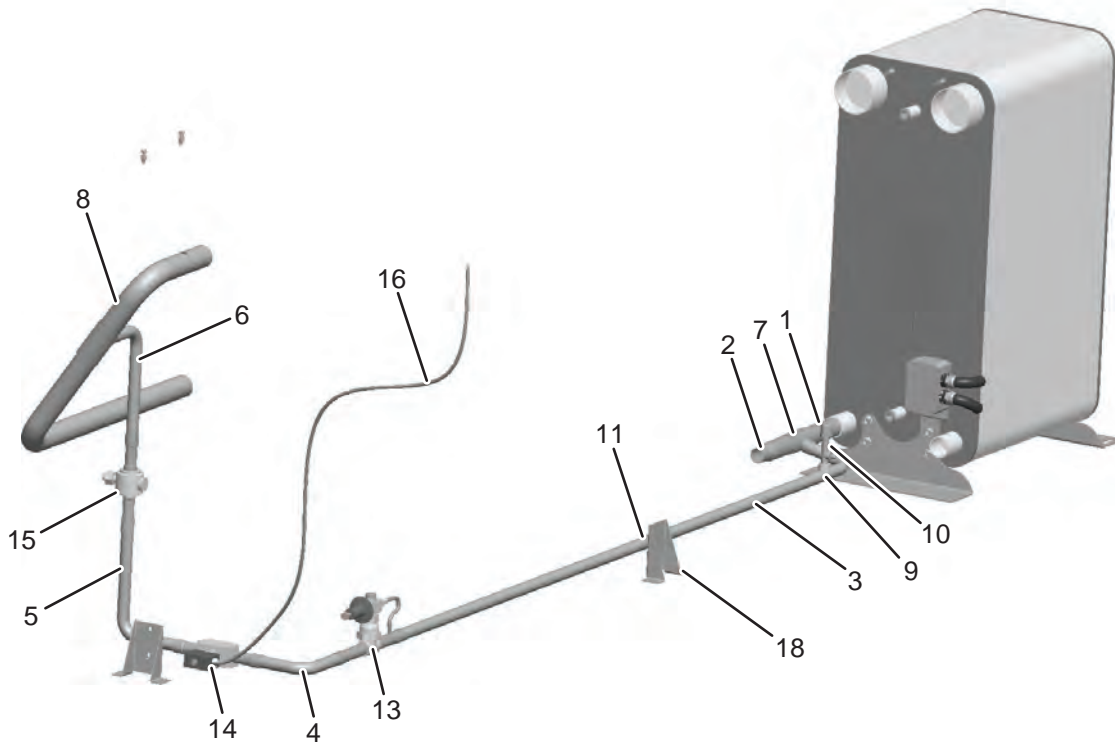
**TABLE 88 - HOT GAS BY-PASS ELECTRONIC EXPANSION VALVES (PIN 32 = E)
MODELS YLAA0125 - YLAA0230**

ITEM	DESCRIPTION	MODELS	PART NUMBER	SAP	FIGURE
1	Pipe, Hot Gas Bypass	YLAA0125	092-07688-625	999458	56
2	Pipe, Hot Gas Bypass	YLAA0125	092-07688-629	999461	56, 57
		YLAA0136, YLAA0142	092-07688-979	5295725	
		YLAA0150 - YLAA0175	092-07688-628	999460	
		YLAA0200, YLAA0230	092-41487-037	5216548	
3	Pipe, Hot Gas Bypass	YLAA0125	092-07688-621	999454	56, 57
		YLAA0136, YLAA0142	092-07688-984	5295730	
		YLAA0142	092-07688-997	5295740	
		YLAA0150 - YLAA0175	092-07688-621	999454	
		YLAA0200, YLAA0230	092-41487-038	5216549	
4	Pipe, Hot Gas Bypass	YLAA0125 - YLAA0175	092-07688-622	999455	56, 57
		YLAA0200, YLAA0230	092-41487-039	5216550	
5	Pipe, Hot Gas By-Pass	YLAA0125 - YLAA0175	092-07688-623	999456	56, 57
		YLAA0200, YLAA0230	092-07688-620	5353054	
6	Pipe, Hot Gas Bypass	YLAA0125 - YLAA0230	092-07688-624	999457	56, 57
7	Tee Sld C X C X C 1-3/8 X	YLAA0125 - YLAA0230	023-00289-000	371708	56, 57
8	Tee Sld C X C X C 2-1/8 X	YLAA0125 - YLAA0230	023-02694-000	731670	56, 57
9	Saddle Ftg .875 Od X .25 Fpt	YLAA0125 - YLAA0230	023-20076-001	733123	56, 57
10	Valve Isln Angle Sc 1/4In Conmix Br	YLAA0125 - YLAA0230	022-00009-000	257712	56, 57
11	Clamp Tube 7/8 Id	YLAA0125 - YLAA0230	075-50979-078	518760	56, 57
16	Valve Solenoid Hgb-8	YLAA0125 - YLAA0230	025-40962-000	739962	56, 57
17	Valve, Solenoid	YLAA0125 - YLAA0230	025-41558-000	739986	56, 57
18	Valve Ball 7/8 Od (C X C)	YLAA0125 - YLAA0230	022-11742-000	731434	56, 57
19	Wiring Harness (1-YHGSV)	YLAA0125 - YLAA0230	575-72382-227	808306	56, 57
21	Bracket Tube Support	YLAA0125 - YLAA0230	092-07700-039	999468	56, 57
23	Bracket Tube Support	YLAA0200, YLAA0230	092-41485-021	5216547	57



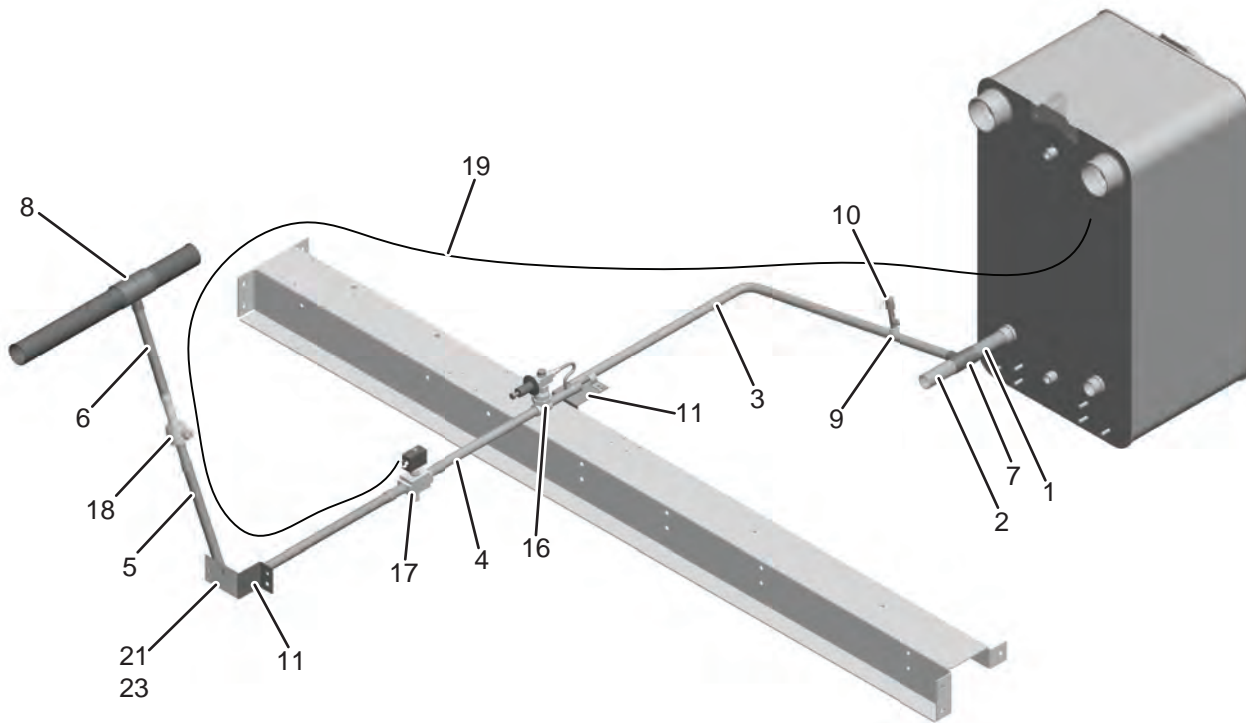
LD23165

FIGURE 55 - HOT GAS BYPASS (MODELS YLAA0058 - YLAA0089)



LD23164

FIGURE 56 - HOT GAS BYPASS (MODELS YLAA0092 - YLAA0125)



LD23166

FIGURE 57 - HOT GAS BYPASS (MODELS YLAA0150 - YLAA0230)

TABLE 89 - LOW AMBIENT STANDARD KIT

ITEM	DESCRIPTION	MODEL	PART NUMBER	SAP NUMBER	FIGURE
2	Kit, Cable	YLAA0058 - YLAA092	375-83361-301	795488	*
		YLAA0100	392-07698-341	844142	
		YLAA0101	392-07698-342	856402	
		YLAA0115, YLAA0120	392-07698-301	817392	
		YLAA0125, YLAA150 - YLAA0175	392-07698-304	961134	
		YLAA0136	392-07698-305	961135	
		YLAA142	392-07698-303	961133	
3	Kit, Low Amb Sys #1	YLAA0058 - YLAA0089	575-72382-234	631203	59
		YLAA0092 - YLAA0175	575-72382-233	808311	
4	Kit, Low Amb Sys #2	YLAA0058, YLAA0065, YLAA0081	575-72382-769	1084079	59
		YLAA0070, YLAA0080, YLAA0089	575-72382-236	808312	
		YLAA0092 - YLAA0120	575-72382-235	631204	
		YLAA0125 - YLAA0155	575-72382-237	808313	
		YLAA0156 - YLAA0175	575-72382-238	808314	
8	Harness Sys #1 Low Amb Kit	YLAA0058 - YLAA0120	575-72382-239	808315	58
9	Harness Sys #2 Low Amb Kit	YLAA0058 - YLAA0100, YLAA0115, YLAA0120, YLAA0142	575-72382-240	808316	58
10	Harness Sys #1 Low Amb Kit	YLAA0058 - YLAA0120	575-72382-241	808317	58
11	Harness Sys #2 Low Amb Kit	YLAA0058 - YLAA0100, YLAA0115, YLAA0120, YLAA0142	575-72382-242	808318	58
12	Hsg Connr Plug Mini 3 Ckt Nat	YLAA0058 - YLAA0100, YLAA0115, YLAA0120, YLAA0142	025-29185-000	62736	*
14	Valve Solenoid 3/8" Odf Conn	YLAA0058 - YLAA0175	025-42198-000	435830	59
15	Connr, Conduit Flex Angle	YLAA0058 - YLAA0120, YLAA0142	025-31316-000	435091	*
16	VFD66 Control Fan Speed	YLAA0058 - YLAA0120, YLAA0142	024-35393-102	736280	*
17	Support Low Ambient	YLAA0058 - YLAA0175	075-55889-049	445829	58
18	Cover Low Ambient	YLAA0058 - YLAA0175	075-55889-050	445830	58
40	Red Sld Ftg X C 1/2 X 3/8	YLAA0058 - YLAA0175	023-00208-000	435831	59
41	Support Pipe Low Amb	YLAA0058 - YLAA0175	075-74862-019	435840	59
48	Cover Capacitor Low Amb	YLAA0058 - YLAA0175	075-55889-051	446031	58
50	Heater, TXV	YLAA0100 - YLAA0175	025-42228-000	445740	58
101	Harness Sys #1 Low Amb Kit	YLAA0058 - YLAA0120	575-72382-316	446415	58
102	Harness Sys #2 Low Amb Kit	YLAA0058 - YLAA0100, YLAA0115, YLAA0120, YLAA0142	575-72382-317	446416	58
103	Wiring Harness 2 Conductor	YLAA0115, YLAA0120, YLAA0125, YLAA0142 - YLAA0175	575-72382-339	817418	58
104	Wiring Harness 2 Conductor	YLAA0100, YLAA0115 - YLAA0175	575-72382-340	817419	58
	Wiring Harness 2 Conductor	YLAA0101	575-72382-319	808356	
105	Transformer Class 2	YLAA0100 - YLAA0175	025-27911-000	1312	58
106	Terminal	YLAA0100 - YLAA0175	025-39405-000	445012	58
107	Terminal, End Bracket	YLAA0100 - YLAA0175	025-39406-000	739625	58
108	Din Rail 6" Lg	YLAA0100 - YLAA0175	025-41733-000	445014	58

TABLE 89 - LOW AMBIENT STANDARD KIT (CONT'D)

ITEM	DESCRIPTION	MODEL	PART NUMBER	SAP NUMBER	FIGURE
109	TXW Htr Trans	YLAA0100 - YLAA0175	575-82818-001	446420	58
110	TXW Htr Trans	YLAA0100 - YLAA0175	575-82818-002	446421	58
111	TXW Htr Trans	YLAA0100 - YLAA0175	575-82818-003	446422	58
112	TXW Htr Trans	YLAA0100 - YLAA0175	575-82818-004	446423	58
113	Jumper (2 Pos)	YLAA0115, YLAA0120, YLAA0125, YLAA0142 - YLAA0175	025-37678-000	445015	58

NOTE: Items with an * are NOT represented.

TABLE 90 - LOW AMBIENT EXPANSION VALVE

ITEM	DESCRIPTION	MODEL	PART NUMBER	SAP NUMBER	FIGURE
2	Kit, Cable	YLAA0058 - YLAA0100, YLAA0115, YLAA0120	375-83361-301	795488	*
		YLAA0101	392-07698-322	856401	
		YLAA0142	392-07698-323	961136	
3	Kit, Low Amb Sys #1	YLAA0058 - YLAA0089	575-72382-234	631203	59
		YLAA0092 - YLAA0230	575-72382-233	808311	
4	Kit, Low Amb Sys #2	YLAA0058, YLAA0065, YLAA0081	575-72382-769	1084079	59
		YLAA0070, YLAA0080, YLAA0089	575-72382-236	808312	
		YLAA0092 - YLAA0120	575-72382-235	631204	
		YLAA0125 - YLAA0155	575-72382-237	808313	
		YLAA0156 - YLAA0175	575-72382-238	808314	
		YLAA0200, YLAA0230	575-72382-876	5277018	
8	Harness Sys#1 Low Amb Kit	YLAA0058 - YLAA0120	575-72382-239	808315	58
9	Harness Sys#2 Low Amb Kit	YLAA0058 - YLAA0100, YLAA0115, YLAA0120, YLAA0142	575-72382-240	808316	58
10	Harness Sys#1 Low Amb Kit	YLAA0058 - YLAA0120	575-72382-241	808317	58
11	Harness Sys#2 Low Amb Kit	YLAA0058 - YLAA0100, YLAA0115, YLAA0120, YLAA0142	575-72382-242	808318	58
12	HSG Connr Plug Mini 3 Ckt Nat	YLAA0058 - YLAA0120, YLAA0142	025-29185-000	62736	58
14	Valve Solenoid 3/8" ODF Conn	YLAA0058 - YLAA0230	025-42198-000	435830	59
15	Connr, Conduit Flex Angle	YLAA0058 - YLAA0120, YLAA0142	025-31316-000	435091	58
16	VFD66 Control Fan Speed	YLAA0058 - YLAA0120, YLAA0142	024-35393-102	736280	58
17	Support Low Ambient	YLAA0058 - YLAA0230	075-55889-049	445829	58
18	Cover Low Ambient	YLAA0058 - YLAA0230	075-55889-050	445830	58
40	Red Sld Ftg X C 1/2 X 3/8	YLAA0058 - YLAA0230	023-00208-000	435831	59
41	Support Pipe Low Amb	YLAA0058 - YLAA0230	075-74862-019	435840	59
42	Clamp Tube 3/8 OD With	YLAA0058 - YLAA0230	023-06552-000	146424	58
48	Cover Capacitor Low Amb	YLAA0058 - YLAA0230	075-55889-051	446031	58
50	Heater, TXV	YLAA0101	025-42228-000	445740	58
101	Harness Sys#1 Low Amb Kit	YLAA0058 - YLAA0120	575-72382-316	446415	*
102	Harness Sys#2 Low Amb Kit	YLAA0058 - YLAA0100, YLAA0115, YLAA0120, YLAA0142	575-72382-317	446416	*

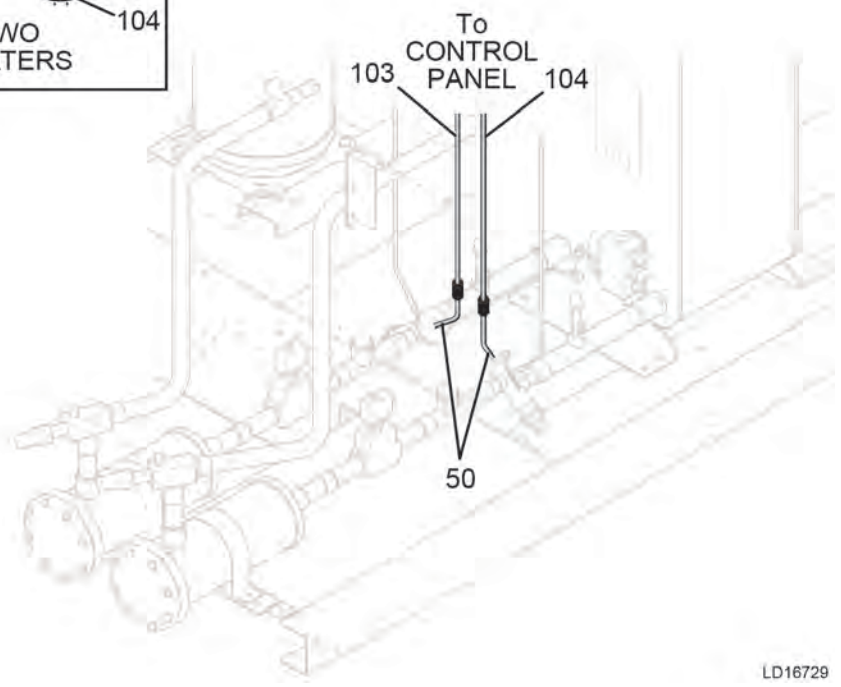
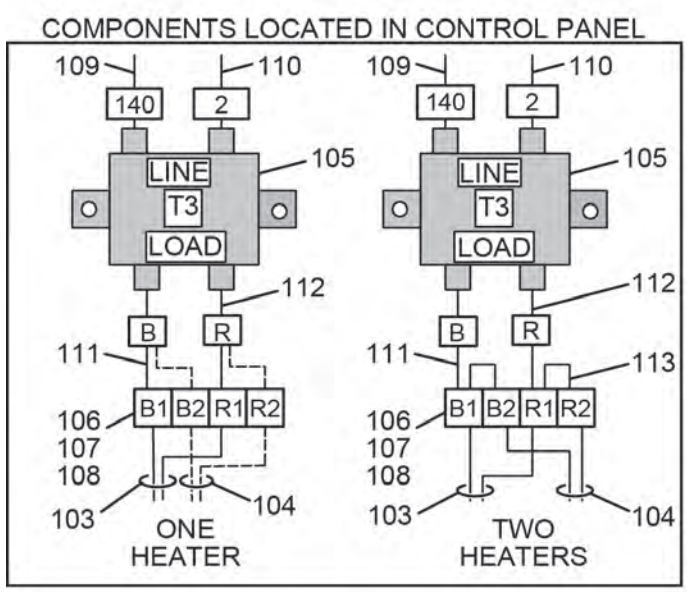
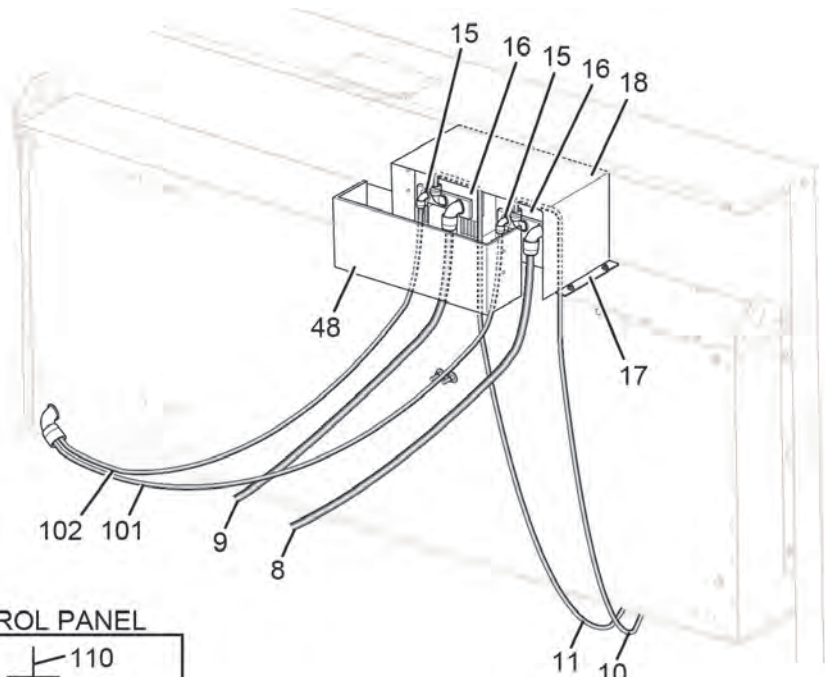
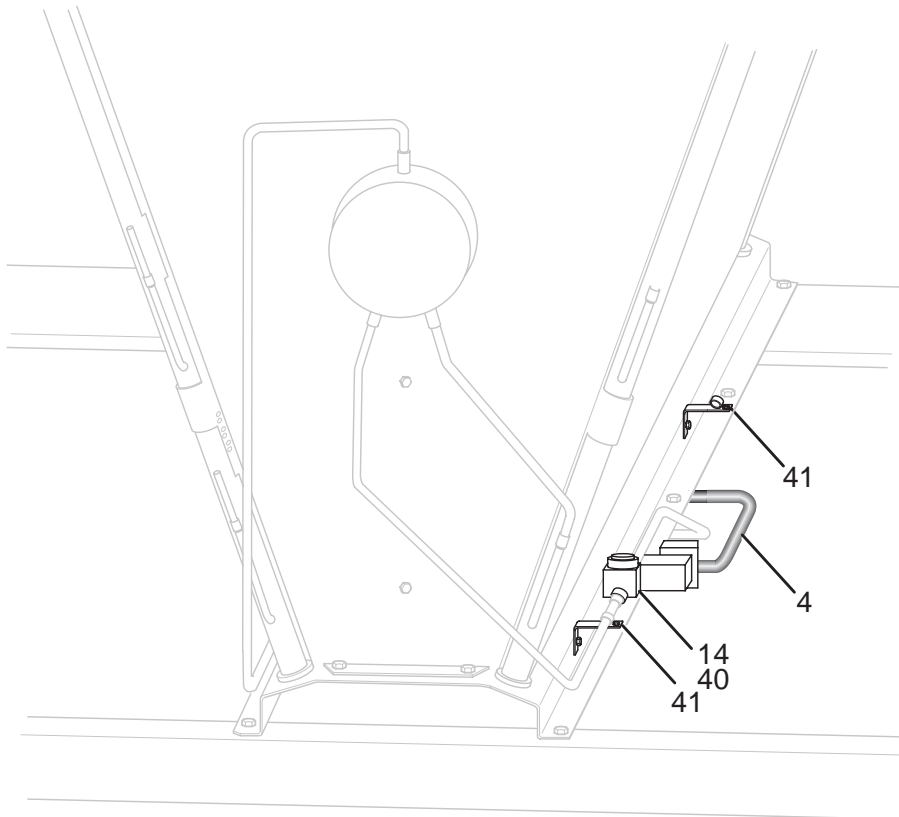
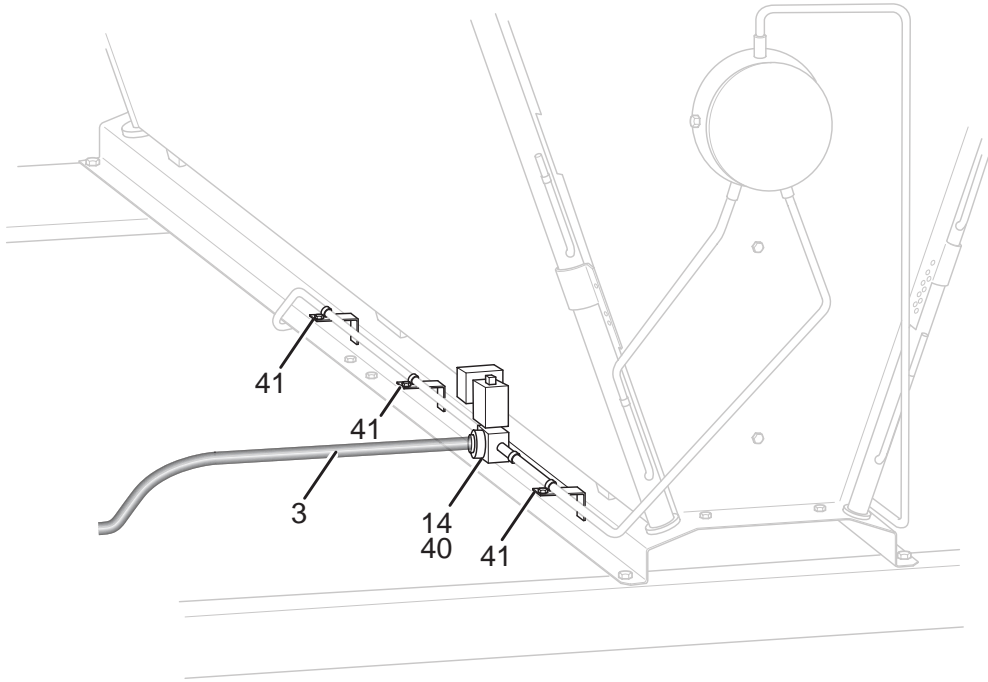


FIGURE 58 - LOW AMBIENT KIT

LD16729



LD16736

FIGURE 59 - LOW AMBIENT KIT

TABLE 91 - LOW AMBIENT WIRING HARNESS DETAILS

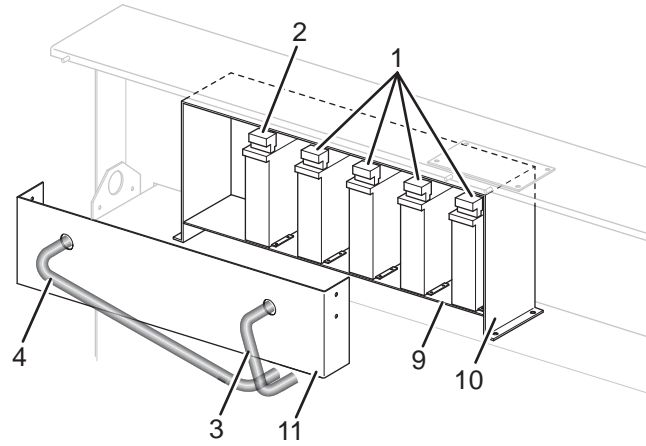
ITEM	DESCRIPTION	PART NUMBER	SAP	QUANTITY
1	Kit, Low Ambient Sys #1 (1-YSEV)	575-72382-234	631203	-
	Connector, 3/8" 90deg Angle (Panel End)	025-31315-000	618164	1
	Conduit, 3/8"	025-31302-000	618155	46"
	Connector, 3/8" Straight (Sensor End)	025-31309-000	117547	1
	Connector, Din Plug 43650 w/ Suppressor (Sensor End)	025-37876-000	117987	1
1	Kit, Low Ambient Sys #1 (1-YESV)	575-72382-233	808311	-
	Connector, 3/8" 90deg Angle (Panel End)	025-31315-000	618164	1
	Conduit, 3/8"	025-31302-000	618155	29"
	Connector, 3/8" Straight (Sensor End)	025-31309-000	117547	1
	Connector, Din Plug 43650 w/ Suppressor (Sensor End)	025-37876-000	117987	1
2	Kit, Low Ambient Sys #1 (2-YESV)	575-72382-235	631204	-
	Connector, 3/8" 90deg Angle (Panel End)	025-31315-000	618164	1
	Conduit, 3/8"	025-31302-000	618155	172"
	Connector, 3/8" Straight (Sensor End)	025-31309-000	117547	1
	Connector, Din Plug 43650 w/ Suppressor (Sensor End)	025-37876-000	117987	1
2	Kit, Low Ambient Sys #1 (2-YESV)	575-72382-236	808312	-
	Connector, 3/8" 90deg Angle (Panel End)	025-31315-000	618164	1
	Conduit, 3/8"	025-31302-000	618155	165"
	Connector, 3/8" Straight (Sensor End)	025-31309-000	117547	1
	Connector, Din Plug 43650 w/ Suppressor (Sensor End)	025-37876-000	117987	1
3	Harness, Sys #1 Low Ambient Kit (Sys #1)	575-72382-239	808315	-
	Connector, 1/2" 90deg Angle	025-31316-000	435091	1
	Conduit, 1/2"	025-30473-000	618151	50"
	Connector, 1/2" 90deg Angle (Sys #1 Inverter)	025-31316-000	435091	1
4	Harness, Sys #2 Low Ambient Kit (Sys #2)	575-72382-240	808316	-
	Connector, 1/2" 90deg Angle	025-31316-000	435091	1
	Conduit, 1/2"	025-30473-000	618151	60"
	Connector, 1/2" 90deg Angle (Sys #2 Inverter)	025-31316-000	435091	1
5	Harness, Sys #1 Low Ambient Kit (Sys #1 Inv/Pnl)	575-72382-241	808317	-
	Connector, 1/2" 90deg Angle (Power Panel)	025-31316-000	435091	1
	Conduit, 1/2"	025-30473-000	618151	49"
	Connector, 1/2" 90deg Angle (Sys #1 Inverter)	025-31316-000	435091	1
6	Harness, Sys #2 Low Ambient Kit (Sys #2 Inv/Pnl)	575-72382-242	808318	-
	Connector, 1/2" 90deg Angle (Power Panel)	025-31316-000	435091	1
	Terminal Pin (Panel End)	025-39452-000	833378	3
	Conduit, 1/2"	025-30473-000	618151	60"
	Connector, 1/2" 90deg Angle (Sys #1 Inverter)	025-31316-000	435091	1
7	Harness, Sys #1 Low Ambient Kit (Sys #1 Low Ambient)	575-72382-316	446415	-
	Housing, Connector Plug Mini	0205-29185-000	62736	1
	Mini Univ Socket (P17)	025-28386-000	737925	3
	3 Conductor Shielded Wire	025-30463-003	738503	84"
8	Harness, Sys #1 Low Ambient Kit (Sys #2 Inverter)	575-72382-317	446416	-
	Mini Univ Socket (P19)	025-28386-000	737925	3
	3 Conductor Shielded Wire	025-30463-003	738503	74"

TABLE 91 - LOW AMBIENT WIRING HARNESS DETAILS (CONT'D)

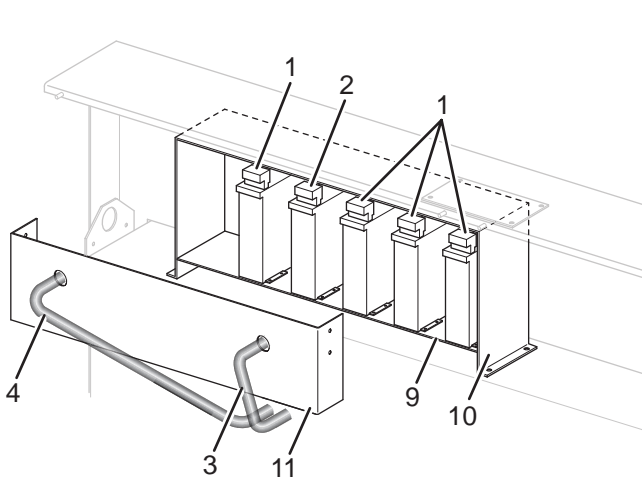
ITEM	DESCRIPTION	PART NUMBER	SAP	QUANTITY
9	Harness, 2 Conductor (TXV Heater Sys #1)	575-72382-339	817418	-
	2 Conductor Shielded Wire	025-30463-002	738502	104"
	Collar	025-28957-000	117435	2
	Contact Receptacle	025-28952-000	260	2
	Plug, Connector (TXV Heater End)	025-28951-000	62724	1
10	Harness, 2 Conductor (TXV Heater Sys #2)	575-72382-340	817419	-
	2 Conductor Shielded Wire	025-30463-002	738502	104"
	Collar	025-28957-000	117435	2
	Contact Receptacle	025-28952-000	260	2
	Plug, Connector (TXV Heater End)	025-28951-000	62724	1
10	Harness, 2 Conductor (TXV Heater Sys #2)	575-72382-319	808356	-
	2 Conductor Shielded Wire	025-32060-002	738502	40"
	Collar	025-28957-000	117435	2
	Contact Receptacle	025-28952-000	260	2
	Plug, Connector (TXV Heater End)	025-28951-000	62724	1
11	TXW HTR Trans	575-82818-001	446420	-
	Wire, #18 AWG Black	025-34003-000	738968	30"
	1/4" Insulated Stright Push-On	025-21156-000	618100	1
12	TXW HTR Trans	575-82818-002	446421	-
	Wire, #18 AWG Black	025-34003-000	738968	46"
	1/4" Insulated Straight Push-On	025-21156-000	618100	1
13	TXW HTR Trans	575-82818-003	446422	-
	Wire, #18 AWG Black	025-34003-000	738968	8"
	1/4" Insulated Straight Push-On	025-21156-000	618100	1
14	TXW HTR Trans	575-82818-004	446423	-
	Wire, #18 AWG Black	025-34003-000	738968	8"
	1/4" Insulated Straight Push-On	025-21156-000	618100	1

TABLE 92 - POWER FACTOR CAPACITOR

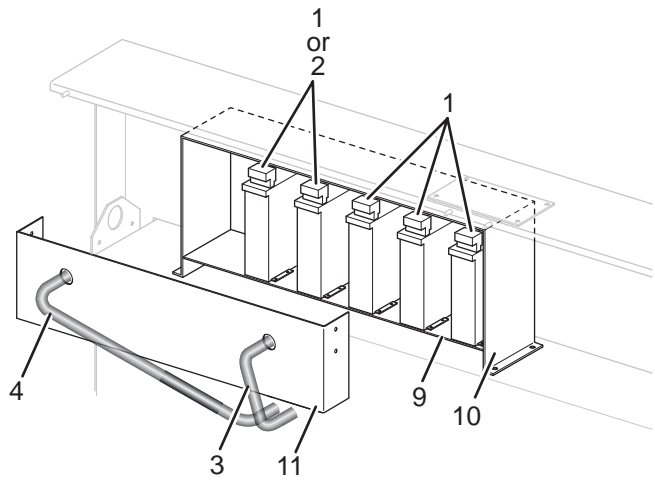
ITEM	DESCRIPTION	MODEL	VOLT	PART NUMBER	SAP NUMBER	FIGURE
1	Capacitor Power Factor	YLAA0058, YLAA0080 - YLAA0101	17, 28	024-31615-000	735852	60
			40, 46	024-31622-000	995989	
			58	024-31628-000	995990	
		YLAA0065, YLAA0070	17, 28	024-38446-004	1085167	
			40, 46	024-31620-000	830265	
			58	024-38450-004	1085170	
		YLAA00115 - YLAA0125, YLAA0150 - YLAA230	17, 28	024-31617-000	735854	
			40, 46	024-31626-000	735857	
			58	024-31631-000	735860	
		YLAA00136, YLAA0142	17,28	024-38446-003	995998	
			40, 46	024-38449-002	996011	
			58	024-38450-003	996014	
2	Capacitor Power Factor	YLAA0065, YLAA0136, YLAA0142	17, 28	024-31615-000	735852	60
			40, 46	024-31622-000	995989	
			58	024-31628-000	995990	
		YLAA0080, YLAA0081	17, 28	024-38446-004	1085167	
			40, 46	024-31620-000	830265	
			58	024-38450-004	1085170	
		YLAA0100, YLAA0101	17, 28	024-31617-000	735854	
			40, 46	024-38449-002	996011	
			58	024-38450-003	996014	
		3	PFC Sys #1 (2 Compr System)	YLAA0058, YLAA0115 - YLAA0125	17, 28	
40, 46, 58	575-72382-071				535467	
PFC Sys #1 (3 Compr System)	YLAA0065 - YLAA0101, YLAA0136 - YLAA0230		17,28, 40, 46, 58	575-72382-069	808194	
4	PFC Sys #2 (2 Compr System)	YLAA0058, YLAA0065, YLAA0100 - YLAA0125, YLAA0150, YLAA0156	17,28, 40, 46, 58	575-72382-072	535468	60
	PFC Sys #2 (3 Compr System)	YLAA0070 - YLAA0092, YLAA0136, YLAA0142, YLAA0170, YLAA0175, YLAA0200, YLAA0230	17,28, 40, 46, 58	575-72382-070	808195	
9	Support Capacitors Power	YLAA0058 - YLAA0230	17,28, 40, 46, 58	075-71079-005	535469	60
10	Cover Capacitor Power Factor	YLAA0058 - YLAA0230	17,28, 40, 46, 58	075-71079-006	535470	60
11	Cover Capacitor Power Factor	YLAA0058 - YLAA0230	17,28, 40, 46, 58	075-71079-007	535494	60



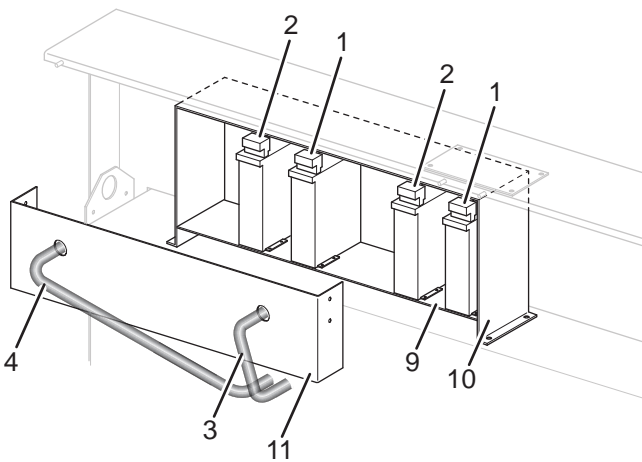
YLAA0135, YLAA0141



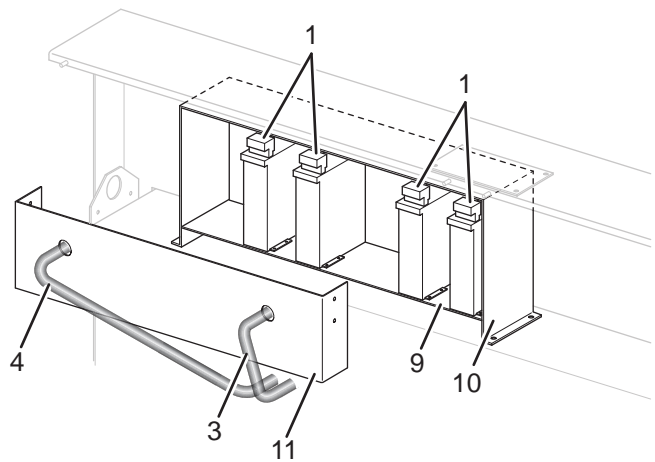
YLAA0090



**YLAA0065, YLAA0100, YLAA101,
YLAA0150, YLAA0155**



YLAA0091



YLAA0058, YLAA0115, YLAA0120

LD16727

FIGURE 60 - POWER FACTOR CAPACITOR

TABLE 93 - HEAT RECOVERY ASSEMBLY

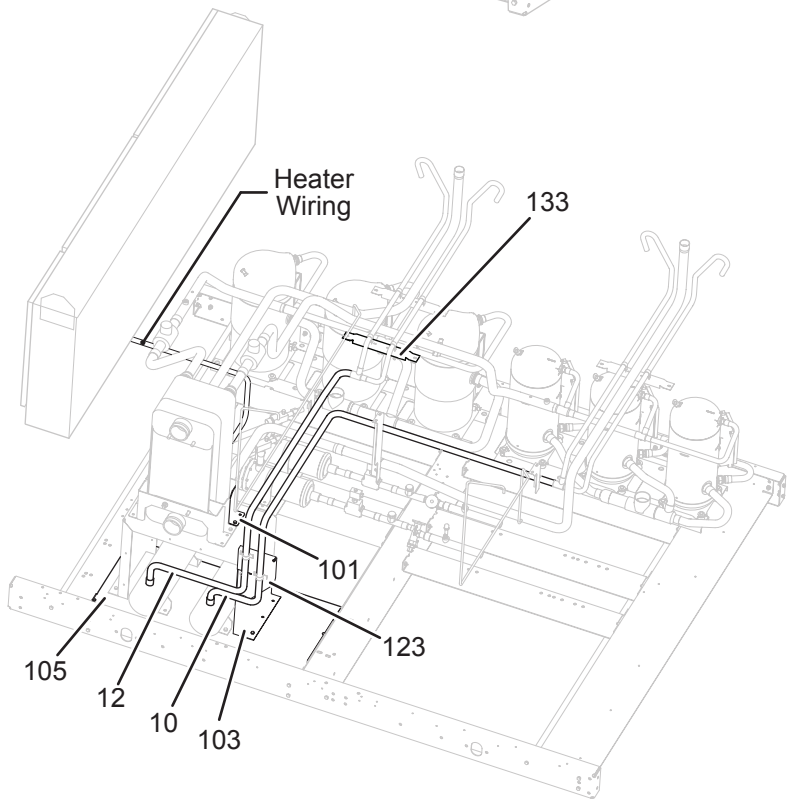
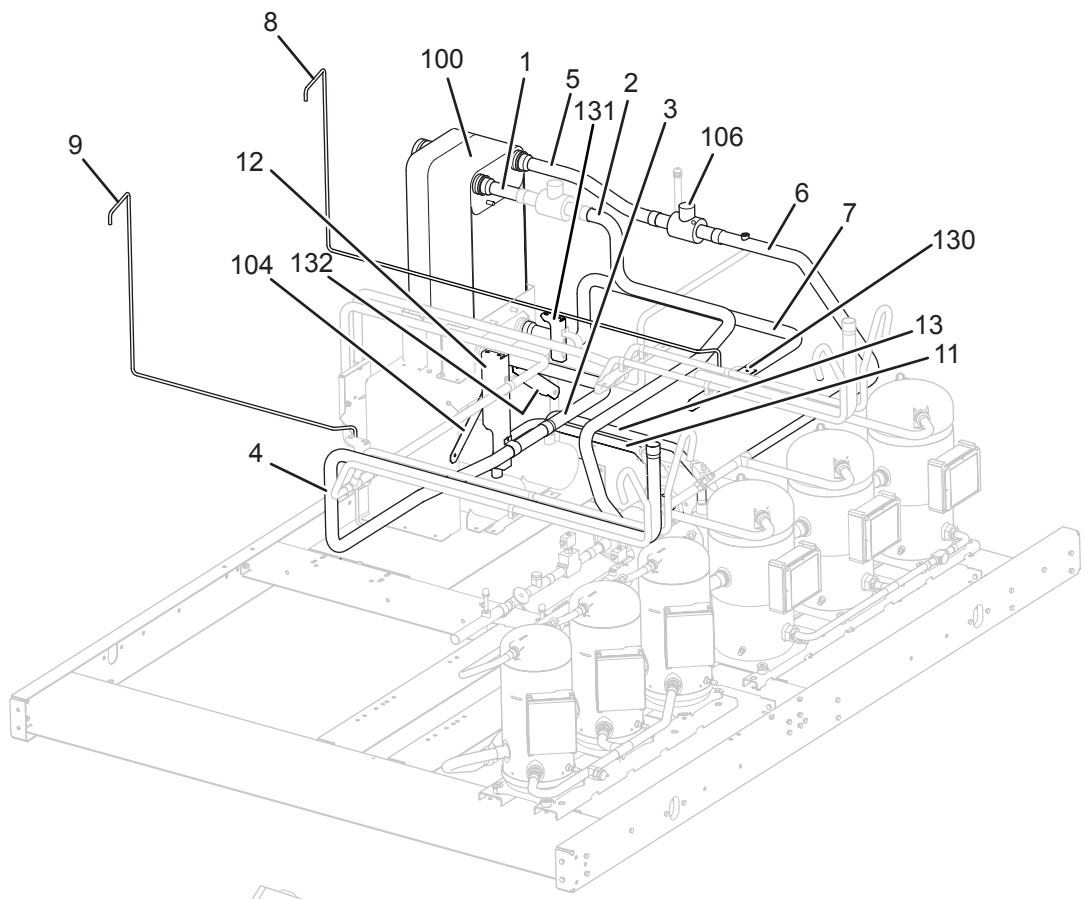
ITEM	DESCRIPTION	MODEL	PART NUMBER	SAP NUMBER	FIGURE
1	Line Discharge HR System 2	YLAA0070, YLAA0080, YLAA0089	092-07688-166	845294	61, 62, 63
		YLAA0092 - YLAA0136	075-82895-000	758902	
	Line Discharge HR System 1	YLAA0142 - YLAA0230	092-07688-337	856087	
2	Line Discharge HR System 2	YLAA0070, YLAA0080, YLAA0089	092-17420-004	1088148	61, 62, 63
	Line Discharge HR System 1 & 2	YLAA0092 - YLAA0120	092-07688-774	1084547	
	Line Discharge HR System 1	YLAA0125, YLAA0136	092-07688-311	856073	
		YLAA0142 - YLAA0175	092-07688-338	856088	
		YLAA0200, YLAA0230	092-41487-049	5270891	
3	Line Discharge HR System 2	YLAA0070, YLAA0080, YLAA0089	092-07688-165	845293	61, 62, 63
		YLAA0092	092-07688-784	1084717	
		YLAA0100 - YLAA0120	092-07688-779	1084712	
	Line Discharge HR System 1	YLAA0125, YLAA0136	092-07688-310	856072	
		YLAA0142 - YLAA0175	092-07688-339	856089	
		YLAA0200, YLAA0230	092-07688-828	1178218	
4	Line Disch HR System 2	YLAA0070, YLAA0080, YLAA0089	092-17420-007	1088149	61, 62
	Line Discharge HR System 1	YLAA0092 - YLAA0101	092-07688-773	1084546	
		YLAA0115, YLAA0120	092-07688-782	1084715	
	Line Discharge HR System 2	YLAA0150 - YLAA0156	075-82895-000	758902	
5	Line Disch HR System 1	YLAA0070, YLAA0080, YLAA0089	092-07688-169	845297	61, 62, 63
		YLAA0092 - YLAA0101	092-17420-001	1084726	
		YLAA0115, YLAA0120	092-07688-783	1084716	
	Line Discharge HR System 2	YLAA0125, YLAA0150 - YLAA156	092-07688-308	856070	
		YLAA0136, YLAA0142	092-07688-643	1034676	
		YLAA0170, YLAA0175	092-07688-332	856082	
		YLAA0200, yLAA0230	092-07688-836	1178224	
6	Line Disch HR System 1	YLAA0070, YLAA0080, YLAA0089	092-17420-003	1088147	61, 62, 63
	Line Discharge HR System 2	YLAA0092, YLAA0100, YLAA0115, YLAA0120	092-07688-291	856024	
		YLAA0101	092-07688-317	856078	
		YLAA0200, YLAA0230	092-07688-815	1178215	
7	Line Discharge HR System 1	YLAA0070, YLAA0080, YLAA0089	092-07688-168	845296	61, 62, 63
	Line Discharge HR System 2	YLAA0092, YLAA0100, YLAA0115, YLAA0120	092-07688-785	1084718	
		YLAA0101	092-07688-786	1084719	
	Line Discharge HR System 1	YLAA0125, YLAA0136, YLAA0150, YLAA0155	092-07688-613	1034673	
		YLAA0142, YLAA0156 - YLAA0175	092-07688-592	993315	
		YLAA0200, YLAA0230	092-07688-830	1178220	
8	Line Hot Gas Sys 1	YLAA0070, YLAA0080, YLAA0089	092-07688-172	845300	61, 62
	Line Discharge HR System 2	YLAA0092, YLAA0100, YLAA0115, YLAA0120	092-07688-292	856025	
		YLAA0101	092-07688-315	856076	
	Line Discharge HR System 1	YLAA0125, YLAA0136, YLAA0150, YLAA0155	092-07688-612	1034672	
	Line Discharge HR System 1	YLAA0142, YLAA0156 - YLAA0175	092-07688-594	993317	

TABLE 93 - HEAT RECOVERY ASSEMBLY (CONT'D)

ITEM	DESCRIPTION	MODEL	PART NUMBER	SAP NUMBER	FIGURE
9	Line Discharge HR System 2	YLAA0070, YLAA0080, YLAA0089	092-17420-008	1088150	61, 62, 63
		YLAA0092 - YLAA0120	092-07688-787	1084720	
	Line Discharge HR System 1	YLAA0125, YLAA0136, YLAA0150, YLAA0155	092-07688-614	1034674	
		YLAA0142, YLAA0156 - YLAA0175	092-07688-595	993318	
		YLAA0200, YLAA0230	092-07688-835	1178223	
10	Liquid Line 1-1/8" HR	YLAA0070, YLAA0080, YLAA0089	092-07688-160	845020	61, 62, 63
	Line Discharge HR System 1	YLAA0092 - YLAA0120	092-07688-775	1084548	
	Line Discharge HR System 2	YLAA0125, YLAA0136, YLAA0150, YLAA0155	092-07688-615	1034675	
		YLAA0142	092-07688-645	1034677	
		YLAA0156	092-07688-593	993316	
		YLAA0170, YLAA0175	092-07688-596	993319	
		YLAA0200, YLAA0230	092-07688-837	1178225	
11	Liquid Line 1-1/8" HR	YLAA0070, YLAA0080, YLAA0089	092-07688-163	845291	61, 62, 63
	Line Discharge HR System 1	YLAA0092 - YLAA0120	092-07688-776	1084549	
		YLAA0200, YLAA0230	092-07688-816	1178216	
12	Liquid Line 1-1/8" HR	YLAA0070, YLAA0080, YLAA0089	092-07688-159	845019	61, 62
	Line Discharge HR System 1	YLAA0092 - YLAA0101	092-07688-778	1084711	
		YLAA0115, YLAA0120	092-07688-781	1084714	
13	Liquid Line 1-1/8" HR	YLAA0070, YLAA0080, YLAA0089	092-07688-164	845292	61, 62, 63
	Line Discharge HR System 1	YLAA0092 - YLAA0120	092-07688-772	1084545	
	Line Liquid HR System 1	YLAA0125	092-07688-609	1034520	
		YLAA0136 - YLAA0155	092-07688-605	1034516	
		YLAA0156 - YLAA0175	092-07688-591	993314	
YLAA0200, YLAA0230		092-07688-838	1178226		
14	Line Liquid Hr System 1	YLAA0200, YLAA0230	092-41487-044	5270287	63
15	Line Liquid Hr System 2	YLAA0200, YLAA0230	092-41487-043	5270286	63
16	Line Liquid Hr System 2	YLAA0200, YLAA0230	092-41487-042	5270285	63
17	Line Discharge Hr System 1	YLAA0200, YLAA0230	092-07688-834	1178222	63
19	Line Liquid Hr System 1	YLAA0200, YLAA0230	092-07688-840	1178228	63
20	Line Liquid Hr	YLAA0200, YLAA0230	092-07688-839	1178227	63
21	Line Equalizing Hr System 1	YLAA0200, YLAA0230	092-07688-833	1178221	63
22	Line Discharge Hr System	YLAA0200, YLAA0230	092-41487-046	5270289	63
23	Line Discharge Hr System	YLAA0200, YLAA0230	092-41487-048	5270890	63
24	Line Liquid Sys 1	YLAA0200, YLAA0230	092-41487-045	5270288	63

TABLE 93 - HEAT RECOVERY ASSEMBLY (CONT'D)

ITEM	DESCRIPTION	MODEL	PART NUMBER	SAP NUMBER	FIGURE
100	Heat Exchanger DB400-102	YLAA0070, YLAA0080, YLAA0089	375-84467-100	552463	61, 62, 63
	Heat Exchanger 102 Plate		026-45615-102	409781	
	Heater 120 Volts, 35 Watts		025-42878-000	740166	
	Insulation Heat Exchanger		075-83052-001	401794	
	Insulation Heat Exchanger		075-83052-002	401796	
	Heat Exchanger 102 Plate		YLAA0092 - YLAA0120	026-45615-102	
	Heat Exchanger Sub Assy 130 PI	YLAA0125 - YLAA0142	375-84467-200	552464	
	Heat Exchanger 130 Plate		026-45615-130	427752	
	Heater 120 Volts, 35 Watts		025-42878-000	740166	
	Insulation Heat Exchanger		075-83052-001	401794	
	Insulation Heat Exchanger		075-83052-002	401796	
	Heat Exchanger Sub Assy 162 PI		YLAA0150 - YLAA0230	375-84467-300	
	Heat Exchanger 162 Plate	026-45615-162		629537	
	Heater 120 Volts, 35 Watts	025-42878-000		740166	
	Insulation Heat Exchanger	075-83052-001		401794	
	Insulation Heat Exchanger	075-83052-002		401796	
101	Bracket Support Heat Exchanger	YLAA0070 - YLAA0175		075-76401-000	394590
102	Bracket Support Heat Exchanger	YLAA0200, YLAA0230	075-76401-000	394590	63
103	Bracket Heat Exchanger	YLAA0070, YLAA0080, YLAA0089	092-07700-020	845317	61, 62, 63
		YLAA0092 - YLAA0230	092-07700-024	856111	
104	Brace Support Heat Exchanger	YLAA0070 - YLAA0120, YLAA0200, YLAA0230	092-07700-060	1084722	61, 62, 63
		YLAA0125 - YLAA0175	092-07700-018	845315	
105	Beam Support Heat Exchanger	YLAA0070, YLAA0080, YLAA0089	092-07700-015	845314	61, 62, 63
		YLAA0092 - YLAA0230	092-07700-023	856110	
106	Bracket Pipe Support	YLAA0092 - YLAA0120	092-07700-069	1084724	62, 63
		YLAA0125 - YLAA0175	092-07700-019	845316	
		YLAA0200, YLAA0230	092-07700-059	1084721	
107	Bracket Pipe Support	YLAA0070 - YLAA0120	092-07700-059	1084721	61, 62
118	Bracket Pipe Support	YLAA0200, YLAA0230	092-41485-024	5270284	63
122	Bracket Pipe Support	YLAA0070 - YLAA0120	075-75051-008	845018	61, 63
130	Rail Support, Sys 2 HR	YLAA0070, YLAA0080, YLAA0089	092-19966-001	1088167	61
131	Bracket Pipe Support	YLAA0070, YLAA0080, YLAA0089	092-19966-002	1088168	61, 62
		YLAA0125 - YLAA0175	092-07700-030	899779	
132	Bracket Pipe Support	YLAA0070, YLAA0080, YLAA0089	092-19966-003	1088169	61
133	Bracket Pipe Support	YLAA0070, YLAA0080, YLAA0089	092-19966-005	1088170	61
140	Bracket Pipe Support	YLAA0200, YLAA0230	092-07700-063	1084723	63
141	Bracket Pipe Support	YLAA0092 - YLAA0120	075-75051-000	757570	62
		YLAA0200, YLAA0230	092-41485-022	5270282	63
142	Bracket Pipe Support	YLAA0092 - YLAA0120	092-07700-063	1084723	62
		YLAA0200, YLAA0230	092-41485-023	5270283	63
143	Bracket Pipe Support	YLAA0092 - YLAA0120	092-07700-070	1084725	62
144	Bracket Support Suction Line	YLAA0200, YLAA0230	092-41485-013	5197150	63



LD18113

FIGURE 61 - HEAT RECOVERY ASSEMBLY (YLAA0070, YLAA0080, YLAA0089)

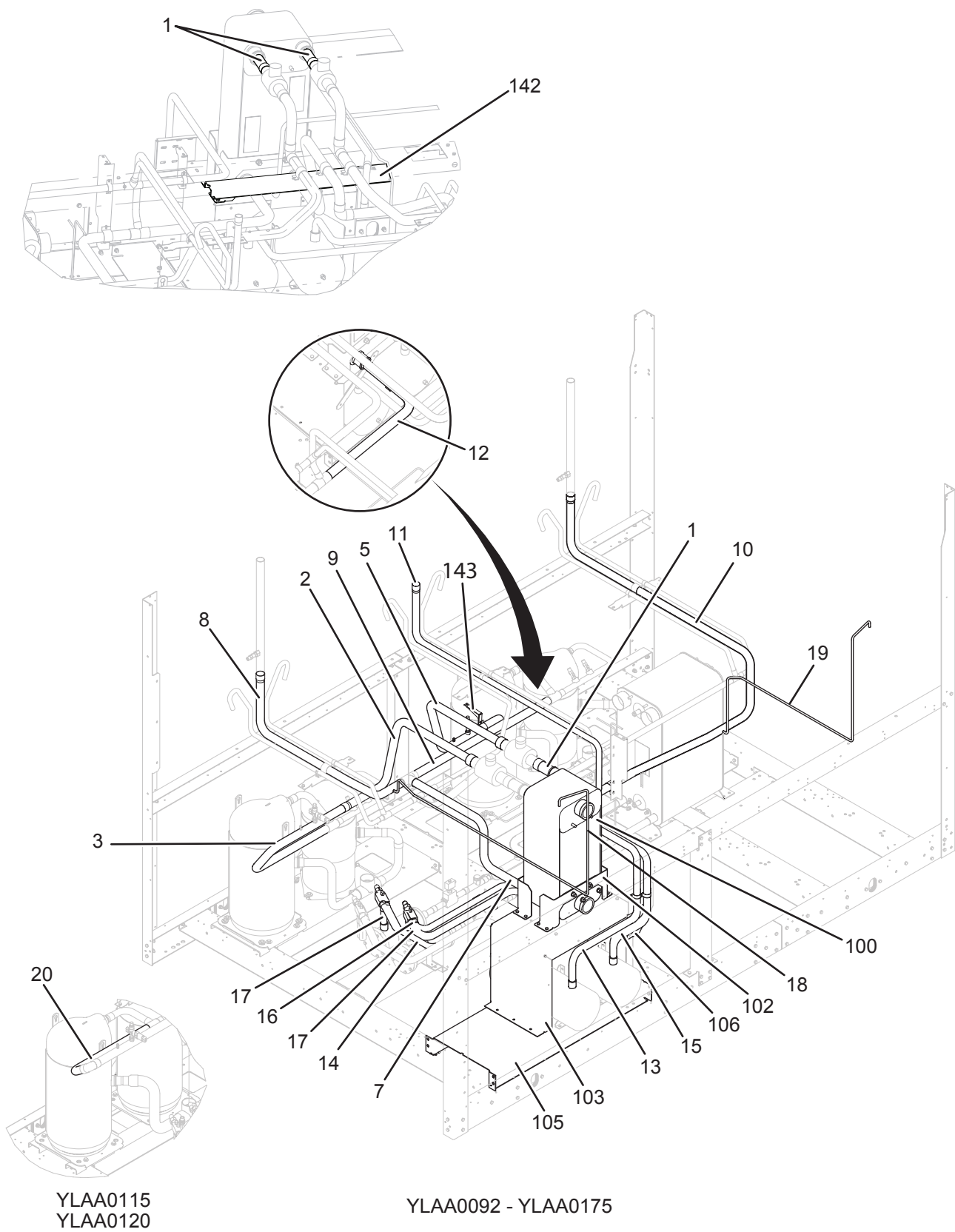


FIGURE 62 - HEAT RECOVERY ASSEMBLY (YLAA0092 - YLAA0175)

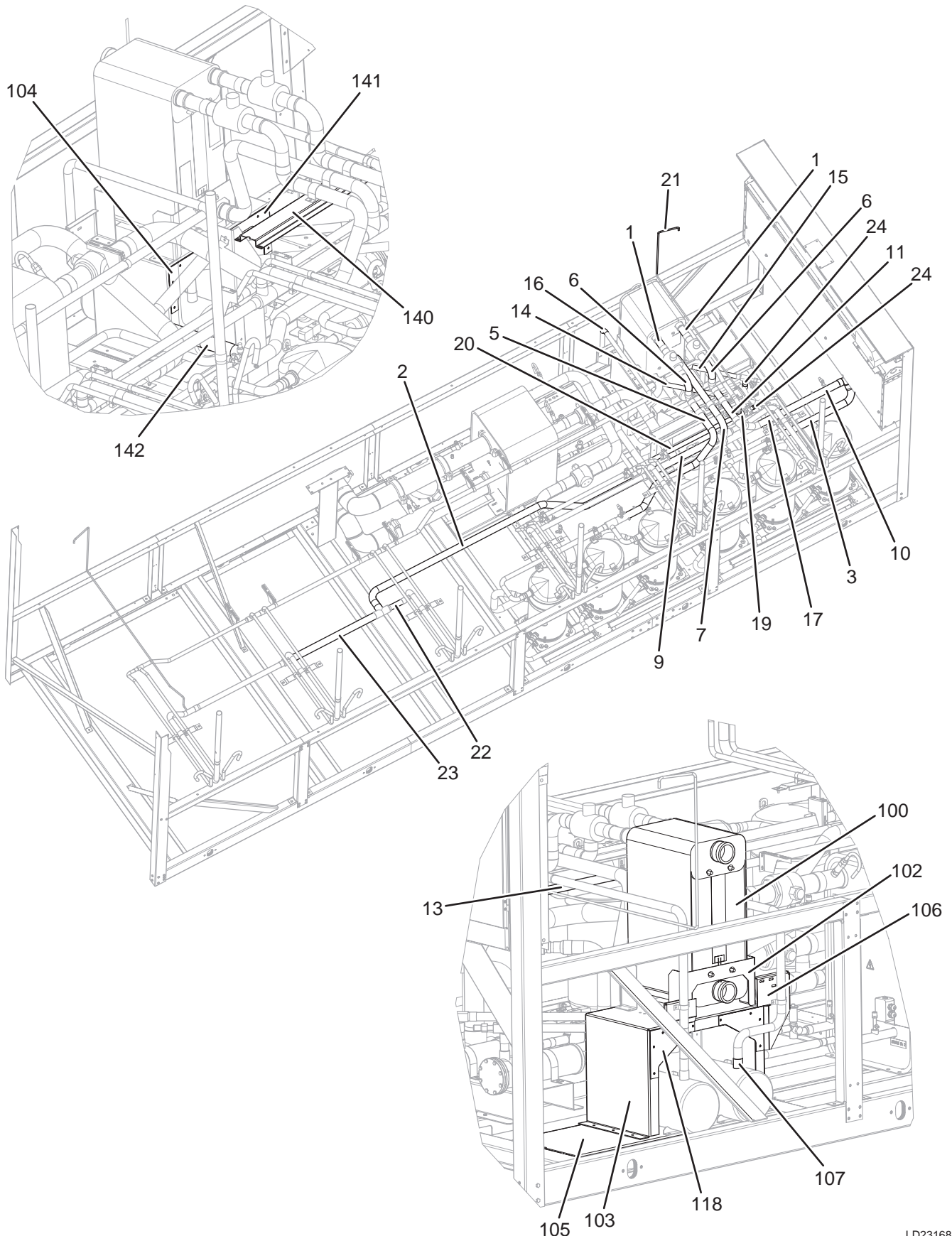


FIGURE 63 - HEAT RECOVERY ASSEMBLY (YLAA0200 - YLAA0230)

LD23168

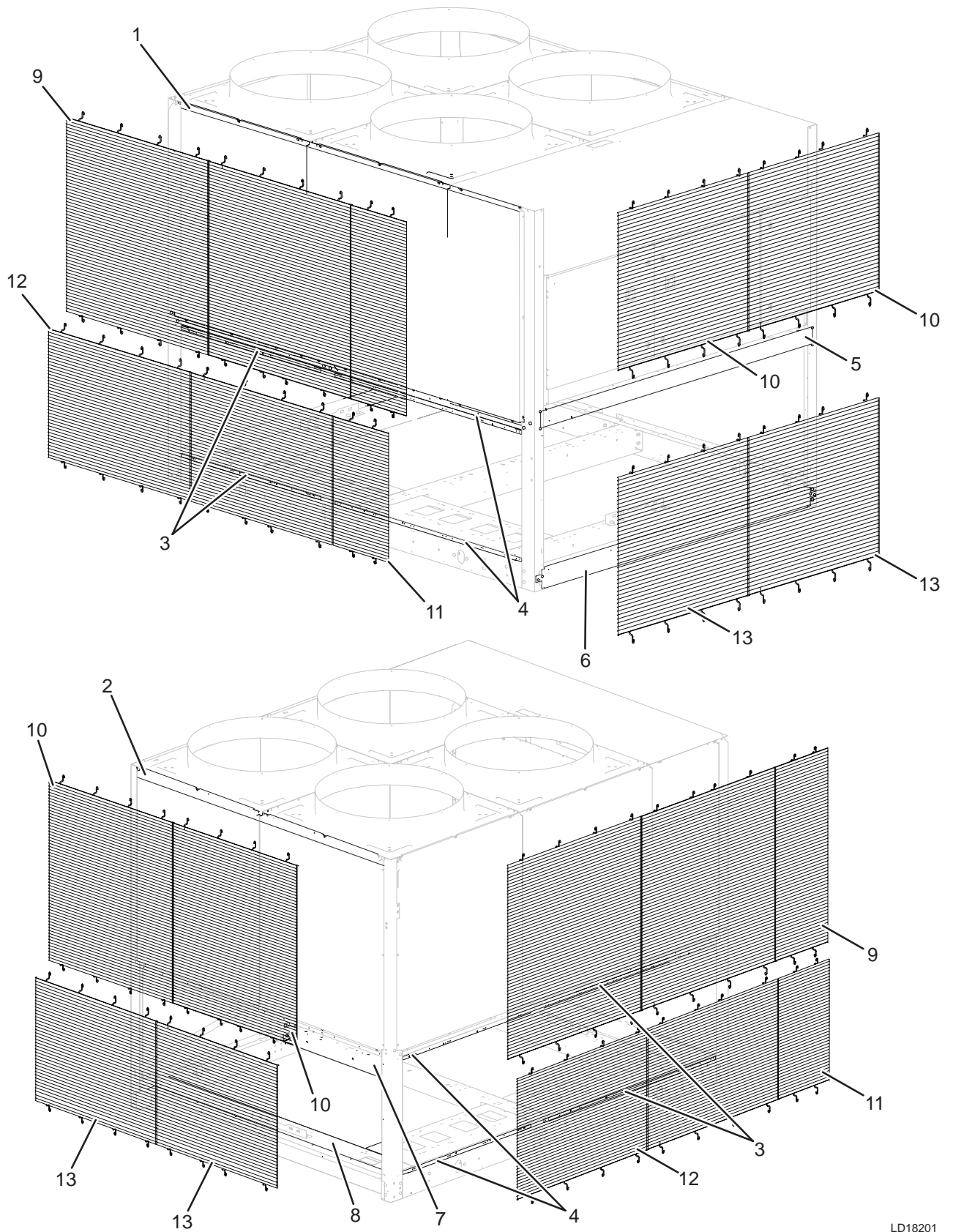
TABLE 94 - ENCLOSURE KIT OPTION

MODEL	WIRE ENCLOSURE	LOUVERED ENCLOSURE (NO PUMP)	LOUVERED ENCLOSURE (WITH PUMP)	LOUVERED ENCLOSURE (NO PUMP)	LOUVERED ENCLOSURE (WITH PUMP)	LOUVERED ENCLOSURE (HAIL GUARD ONLY)
		PIN 46 = X		PIN 46 = H		
058	475-91492-351	492-11341-311	492-11341-311	-	-	475-91493-353
065						
070	475-91492-301	492-11341-301	492-11341-351	492-11341-701	492-11341-751	475-91493-303
080						
081	475-91492-351	492-11341-311	492-11341-311	-	-	475-91493-353
089	475-91492-301	492-11341-301	492-11341-351	492-11341-701	492-11341-751	475-91493-303
092	475-91492-201	492-11341-201	492-11341-251	492-11341-601	492-11341-651	475-91493-203
100						
101						
115						
120						
125	475-91492-101	492-11341-101	492-11341-151	492-11341-501	492-11341-551	475-91493-103
136						
142						
150						
155	475-91492-401	492-11341-401	492-11341-451	492-11341-801	492-11341-851	475-91493-403
156						
170						
175	492-41498-001	492-41497-001	N/A	492-41497-101	N/A	492-41497-003
200						
230						

MODEL	WIRE / LOUVERED ENCLOSURE PIN 46 = X PIN 49 = X or B	WIRE / LOUVERED ENCLOSURE PIN 46 = H PIN 49 = X or B	LOUVERED ENCLOSURE (HAIL GUARD ONLY)	LOUVERED ENCLOSURE (CONDENSER ONLY)
058	475-91492-353	-	475-91493-104	-
065				
070	475-91492-303	492-11479-703		492-11349-703
080				
081	475-91492-353	-		-
089	475-91492-303	492-11479-703		492-11349-703
092	475-91492-203	475-91492-603		475-91493-603
100				
101				
115				
120	475-91492-103	475-91492-503	475-91493-503	
125				
136				
142				
150	475-91492-403	475-91492-803	475-91493-803	
156				
170				
175	492-41498-003	492-41498-103	492-41497-103	
200				
230				

TABLE 95 - WIRE ENCLOSURE PANELS

ITEM	DESCRIPTION	MODELS	PART NUMBER	SAP NUMBER	FIGURE
YLAA0058, YLAA0065, YLAA0081					
1	Support Grill/Louver	YLAA0058, YLAA0065, YLAA0081	092-20313-001	1088127	64
2	Support Grill/Louver	YLAA0058, YLAA0065, YLAA0081	075-75047-007	435520	64
3	Support Grill/Louver	YLAA0058, YLAA0065, YLAA0081	092-20313-003	1088128	64
4	Support Grill/Louver	YLAA0058, YLAA0065, YLAA0081	092-20313-004	1088129	64
5	Support Grill/Louver	YLAA0058, YLAA0065, YLAA0081	075-75047-022	438427	64
6	Support Grill/Louver	YLAA0058, YLAA0065, YLAA0081	075-75047-019	438429	64
7	Support Grill/Louver	YLAA0058, YLAA0065, YLAA0081	075-75047-001	757569	64
8	Support Grill/Louver	YLAA0058, YLAA0065, YLAA0081	075-75047-018	448039	64
9	Guard Coil	YLAA0058, YLAA0065, YLAA0081	026-47713-001	1087913	64
10	Guard Coil	YLAA0058, YLAA0065, YLAA0081	026-45058-008	511233	64
11	Guard Coil	YLAA0058, YLAA0065, YLAA0081	026-47713-002	1087914	64
12	Guard Coil	YLAA0058, YLAA0065, YLAA0081	026-47713-003	1087915	64
13	Guard Coil	YLAA0058, YLAA0065, YLAA0081	026-45058-005	511231	64
YLAA0070, YLAA0080, YLAA0089 - YLAA0230					
1	Guard Coil	YLAA0070, YLAA0080, YLAA0089 - YLAA0230	026-46141-007	638484	65
2	Guard Coil	YLAA0200, YLAA0230	026-46141-012	741293	
3	Guard Coil	YLAA0070, YLAA0080, YLAA0089 - YLAA0230	026-45058-008	511233	65
4	Guard Coil	YLAA0070, YLAA0080, YLAA0089 - YLAA0230	026-45058-001	510650	65
5	Guard Coil	YLAA0070, YLAA0080, YLAA0089 - YLAA0230	026-45058-005	511231	65
6	Support Grill/Louver	YLAA0070, YLAA0080, YLAA0089 - YLAA0155 YLAA0156 -YLAA0230	075-75047-006 075-75047-013	435518 448068	64
7	Support Grill/Louver	YLAA0125 - YLAA0155 YLAA0156 -YLAA0175 YLAA0200, YLAA0230	075-75047-008 075-75047-017 075-75047-042	435681 448069 5278160	*
8	Support Grill/Louver	YLAA0070, YLAA0080, YLAA0089 - YLAA0230	075-75047-007	435520	64
9	Support Grill/Louver	YLAA0092 - YLAA0120 YLAA0156 -YLAA0175 YLAA0200, YLAA0230	075-75047-009 075-75047-014 075-75047-040	436027 448482 5278158	65
10	Support Grill/Louver	YLAA0092 - YLAA0155 YLAA0156 -YLAA0230	075-75047-004 075-75047-016	438426 448483	65
12	Support Grill/Louver	YLAA0070, YLAA0080, YLAA0089 - YLAA0230	075-75047-022	438427	65
13	Support Grill/Louver	YLAA0070, YLAA0080, YLAA0089 YLAA0092 - YLAA0155 YLAA0156 -YLAA0230	075-75047-018 075-75047-019 075-75047-024	448039 438429 448484	65
14	Support Grill/Louver	YLAA0156 -YLAA0175 YLAA0200, YLAA0230	075-75047-015 075-75047-043	448485 5278161	65
22	Guard Coil	YLAA0200, YLAA0230	026-45058-011	448489	*
23	Support Grill/Louver	YLAA0070, YLAA0080, YLAA0089	075-75047-011	448040	65
24	Support Grill/Louver	YLAA0070, YLAA0080, YLAA0089	075-75047-012	448351	65
31	Support Grill/Louver	YLAA0070, YLAA0080, YLAA0089	075-75047-019	438429	65
32	Support Grill/Louver	YLAA0092 - YLAA0155 YLAA0156 -YLAA0230	075-75047-020 075-75047-025	438430 448486	65
33	Support Grill/Louver	YLAA0125 - YLAA0155 YLAA0156 -YLAA0230	075-75047-023 075-75047-019	438441 438429	65
49	Support Grill/Louver	YLAA0200, YLAA0230	075-75047-001	757569	65
50	Support Grill/Louver	YLAA0200, YLAA0230	075-75047-041	5278159	*



LD18201

FIGURE 64 - WIRING ENCLOSURE PANELS (YLAA0058, YLAA0065, YLAA0081)

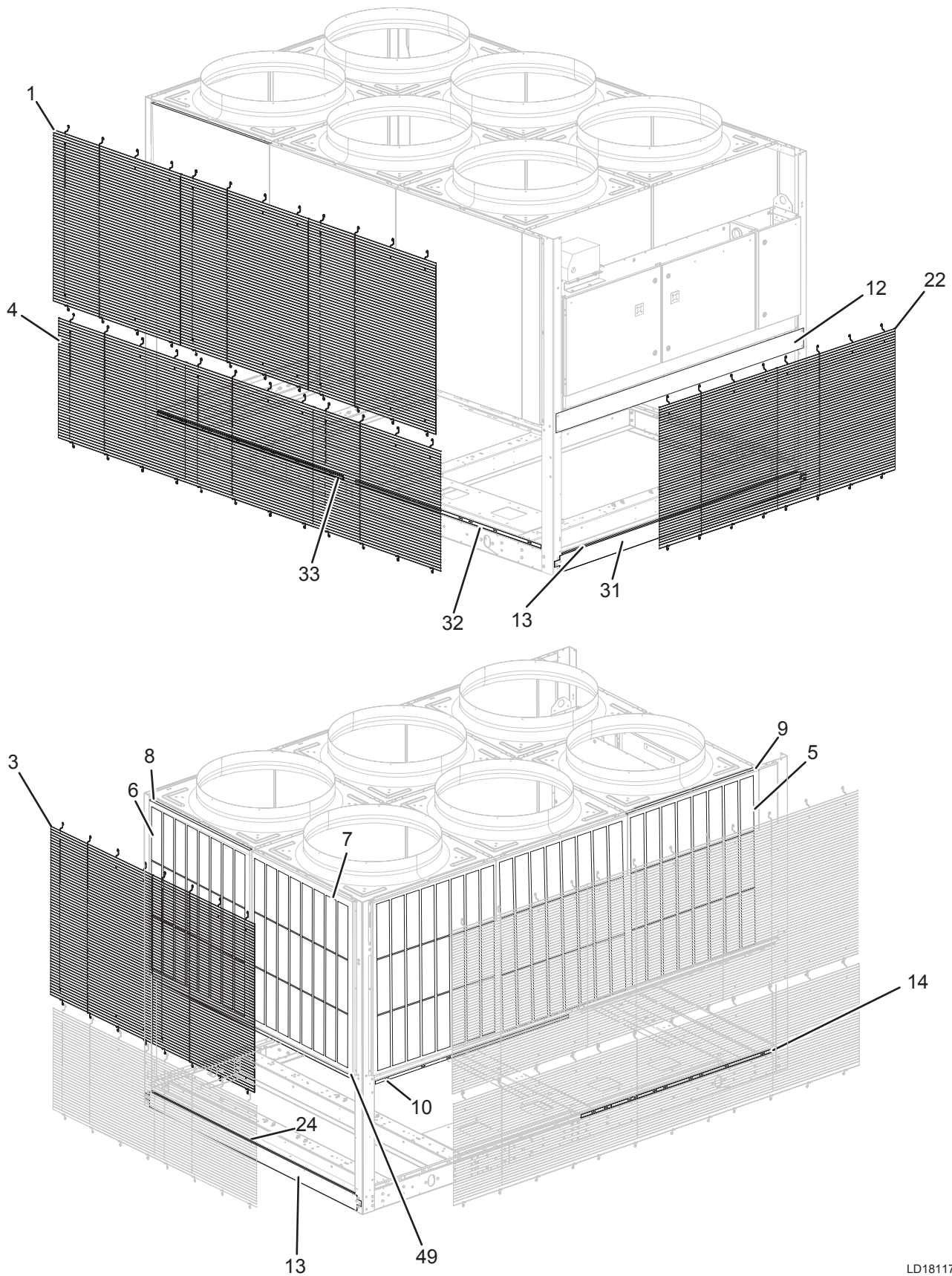


FIGURE 65 - WIRING ENCLOSURE PANELS (YLAA0070, YLAA0080, YLAA0089 - YLAA0230)

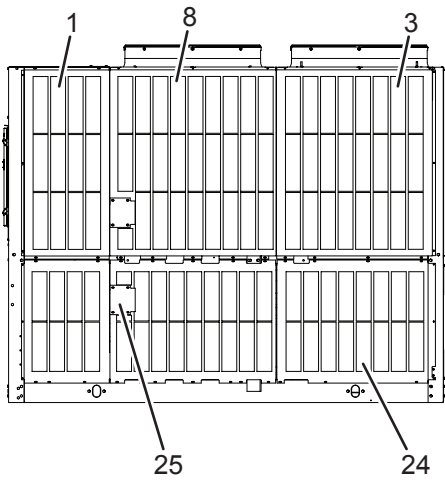
TABLE 96 - LOUVERED ENCLOSURE PANELS

ITEM	DESCRIPTION	MODELS	PART NUMBER	SAP NUMBER	FIGURE
1	Panel Louver Side Front	YLAA0058, YLAA0065, YLAA0081	092-20312-001	1087918	66, 67, 68, 69, 70
	Panel Louvers Right Side	YLAA0070, YLAA0080, YLAA0089	075-91494-000	760744	
	Panel Louvers Right (Front)	YLAA0092 - YLAA0230	075-91494-001	760745	
2	Panel Louver Side End	YLAA0058, YLAA0065, YLAA0081	092-20312-002	1087919	66, 67, 68, 69, 70
	Panel Louvers Middle	YLAA0070, YLAA0080, YLAA0089 - YLAA0230	075-91494-002	760746	
3	Panel Louvers (Rear Left)	YLAA0058, YLAA0065, YLAA0081	075-91494-004	760748	66, 67, 68, 69, 70
	Panel Louvers End Side Right	YLAA0070, YLAA0080, YLAA0089 - YLAA0230	075-91494-003	760747	
4	Panel Louvers (Rear Right)	YLAA0058, YLAA0065, YLAA0081	075-91494-005	760749	66, 67, 68, 69, 70
	Panel Louvers End (Left)	YLAA0070, YLAA0080, YLAA0089 - YLAA0230	075-91494-023	760766	
5	Panel Enclosure	YLAA0058, YLAA0065, YLAA0081	092-20312-015	1088126	66, 67, 68, 69, 70
	Panel Louvers Left(Front)	YLAA0070, YLAA0080, YLAA0089	075-91494-020	760763	
	Panel Louvers Left (Front)	YLAA0092 - YLAA0230	075-91494-021	760764	
6	Panel Enclosure	YLAA0058, YLAA0065, YLAA0081	075-91494-054	862852	66, 67, 68, 69, 70
	Panel Louvers (Rear Left)	YLAA0070, YLAA0080, YLAA0089 - YLAA0230	075-91494-004	760748	
7	Panel Enclosure	YLAA0058, YLAA0065, YLAA0081	092-20312-013	1088124	66, 67, 68, 69, 70
	Panel Louvers (Rear Right)	YLAA0070, YLAA0080, YLAA0089 - YLAA0230	075-91494-005	760749	
8	Panel Enclosure	YLAA0058, YLAA0065, YLAA0081	092-20312-014	1088125	66, 70
		YLAA0200, YLAA0230	075-91494-102	5276979	
9	Panel Enclosure	YLAA0058, YLAA0065, YLAA0081	075-91494-009	760753	66
10	Panel Enclosure	YLAA0058, YLAA0065, YLAA0081	075-91494-010	760754	66
11	Panel Enclosure	YLAA0058, YLAA0065, YLAA0081	092-20312-011	1088122	66, 67, 68, 69, 70
		YLAA0070, YLAA0080, YLAA0089 - YLAA0230	075-91494-009	760753	
12	Panel Enclosure	YLAA0058, YLAA0065, YLAA0081	092-20312-012	1088123	66, 67, 68, 69, 70
		YLAA0070, YLAA0080, YLAA0089 - YLAA0230	075-91494-010	760754	
13	Panel Enclosure	YLAA0058, YLAA0065, YLAA0081	075-91494-056	862854	66, 67, 68, 69, 70
		YLAA0070, YLAA0080, YLAA0089 - YLAA0230	075-91494-015	760758	
14	Panel Enclosure	YLAA0070, YLAA0080, YLAA0089	075-91494-056	862854	66, 67, 68, 69, 70
		YLAA0156 - YLAA0230	075-91494-080	1034185	
15	Panel Enclosure	YLAA0156 - YLAA0230	075-91494-081	1034186	69, 70
16	Panel Enclosure	YLAA0070, YLAA0080, YLAA0089	075-91494-013	760756	66, 67, 68, 69, 70
		YLAA0092 - YLAA0230	075-91494-022	760765	
17	Panel Enclosure	YLAA0070, YLAA0080, YLAA0089 - YLAA0230	075-91494-029	760772	66, 67, 68, 69, 70
18	Panel Enclosure	YLAA0070, YLAA0080, YLAA0089	075-91494-014	760757	66, 67, 68, 69, 70
		YLAA0092 - YLAA0230	075-91494-030	760773	

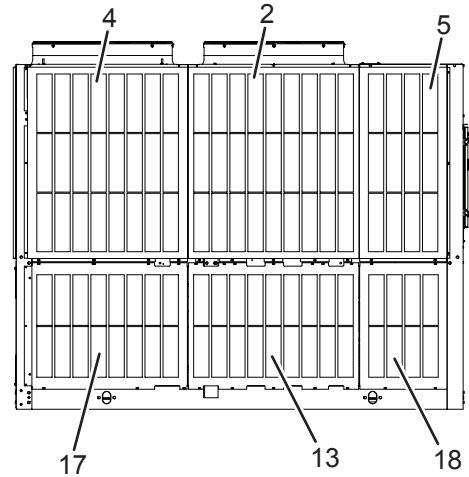
TABLE 96 - LOUVERED ENCLOSURE PANELS (CONT'D)

ITEM	DESCRIPTION	MODELS	PART NUMBER	SAP NUMBER	FIGURE
19	Panel Enclosure	YLAA0070, YLAA0080, YLAA0089	075-91494-054	862852	66, 67, 68, 69, 70
		YLAA0092 - YLAA0120	075-91494-066	1034171	
		YLAA0125 - YLAA0230	075-91494-008	760752	
20	Panel Enclosure	YLAA0070, YLAA0080, YLAA0089	075-91494-055	862853	66, 67, 68, 69, 70
		YLAA0092 - YLAA0120	075-91494-065	1034170	
		YLAA0125 - YLAA0230	075-91494-007	760751	
21	Panel Enclosure	YLAA0125 - YLAA0155	075-91494-018	760761	68, 69, 70
		YLAA0156 - YLAA0230	075-91494-082	1034187	
22	Panel Enclosure	YLAA0156 - YLAA0230	075-91494-083	1034188	69, 70
23	Panel Enclosure	YLAA0156 - YLAA0175	075-91494-086	1034191	69, 70
		YLAA0200, YLAA0230	075-91494-104	5276991	
24	Panel Enclosure	YLAA0070, YLAA0080, YLAA0089 - YLAA0120	075-91494-006	760750	66, 67, 68, 69, 70
		YLAA0125 - YLAA0155	075-91494-079	1034184	
		YLAA0156 - YLAA0230	075-91494-085	1034190	
25	Panel Enclosure	YLAA0092 - YLAA0120	075-91494-056	862854	66, 67, 68, 69, 70
		YLAA0125 - YLAA0155	075-91494-075	1034180	
		YLAA0156 - YLAA0175	075-91494-087	1034192	
		YLAA0200, YLAA0230	075-91494-100	5276977	
27	Panel Enclosure	YLAA0156 - YLAA0230	075-91494-084	1034189	69, 70
28	Panel Enclosure	YLAA0200, YLAA0230	075-91494-103	5276990	70
29	Panel Enclosure	YLAA0200, YLAA0230	075-91494-101	5276978	70
35	Support Grill/Louver	YLAA0070, YLAA0080, YLAA0089 - YLAA0230	075-75047-022	438427	66, 67, 68, 69, 70
36	Support Grill/Louver Ylaa	YLAA0070, YLAA0080, YLAA0089	075-75047-018	448039	66
37	Support Grill/Louver Ylaa	YLAA0070, YLAA0080, YLAA0089 - YLAA0230	075-75047-019	438429	66, 67, 68, 69, 70
49	Support Grill/Louver	YLAA0058 - YLAA0230	075-75047-001	757569	66, 67, 68, 69, 70

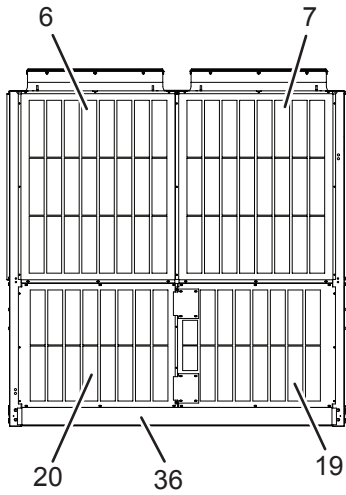
NOTE: Items with an * are NOT represented.



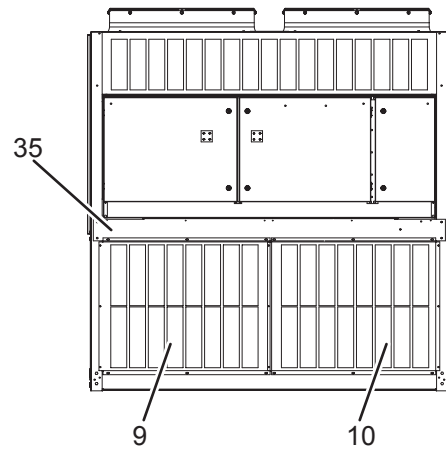
Right with pump package & heat recovery



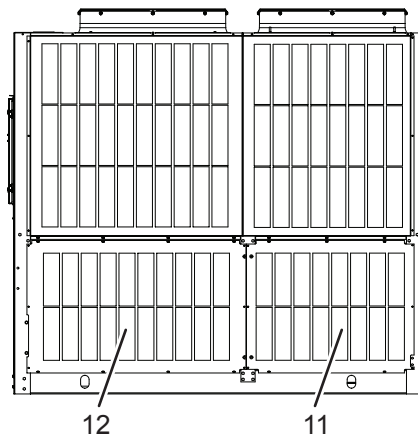
Left with pump package & heat recovery



Rear with pump package & heat recovery



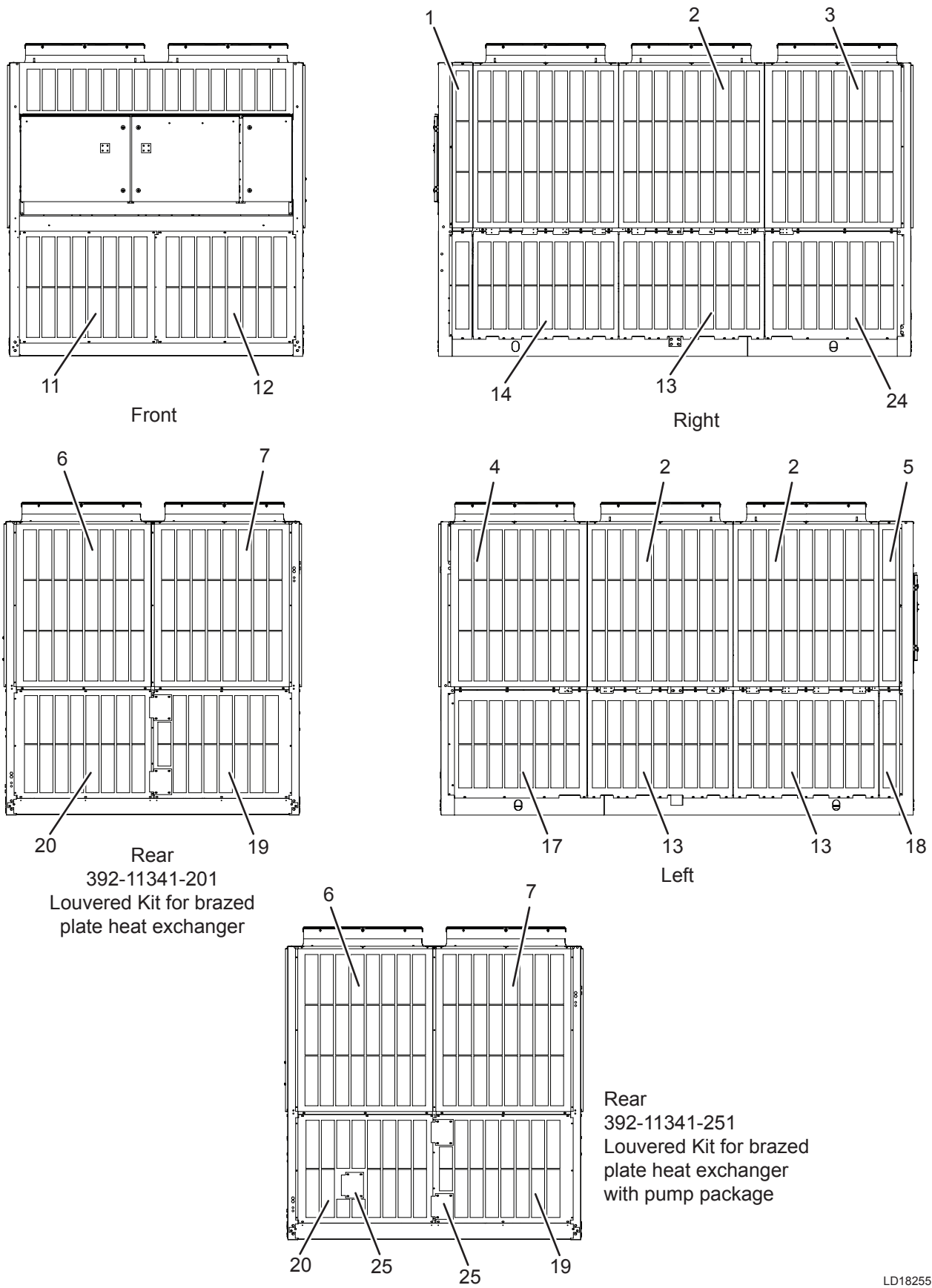
Front with or without pump kit



Right with or without pump kit

LD18254

FIGURE 66 - LOUVERED ENCLOSURE PANELS (YLAA0058 - YLAA0089)

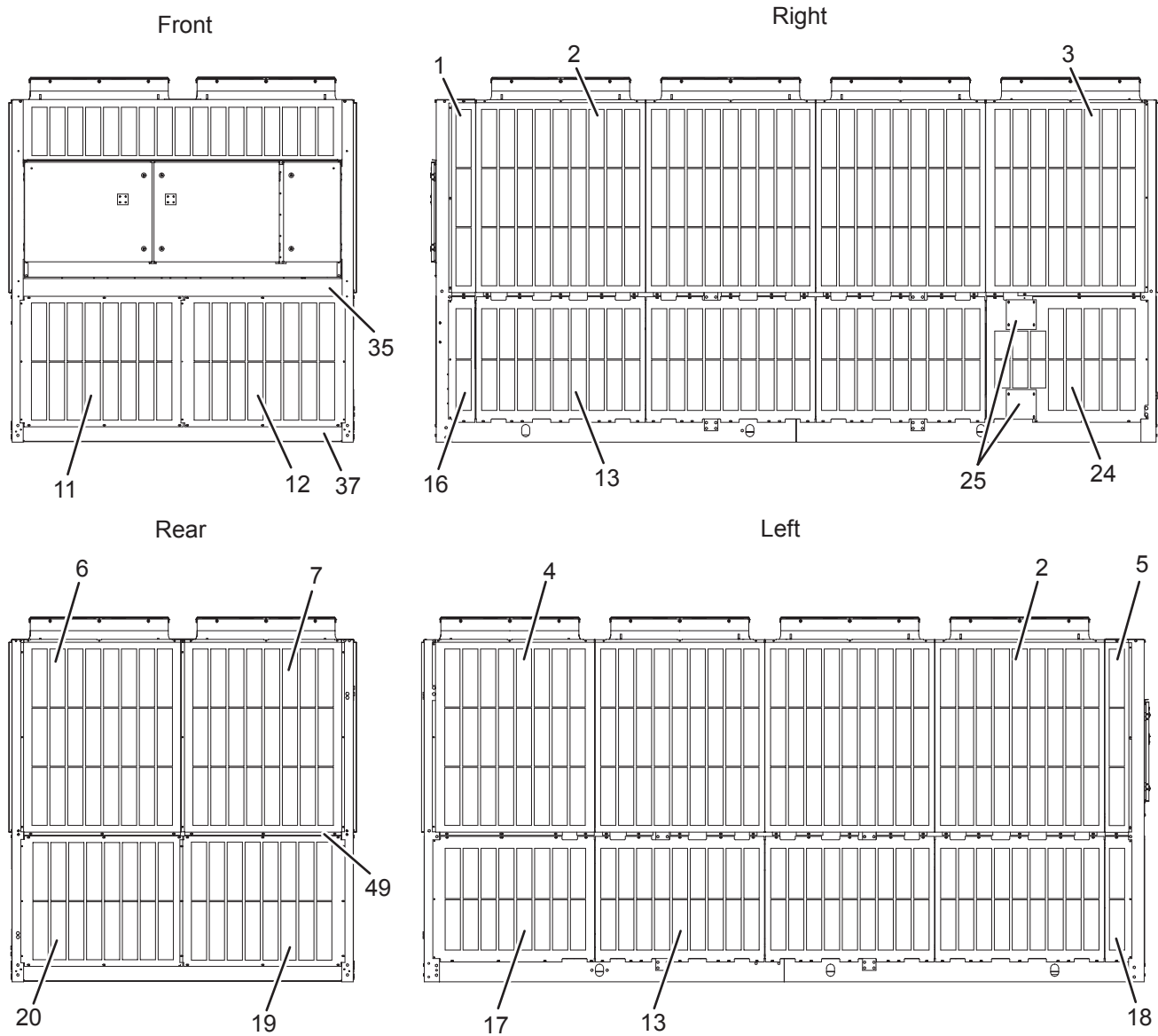


392-11341-201
 Louvered Kit for brazed
 plate heat exchanger

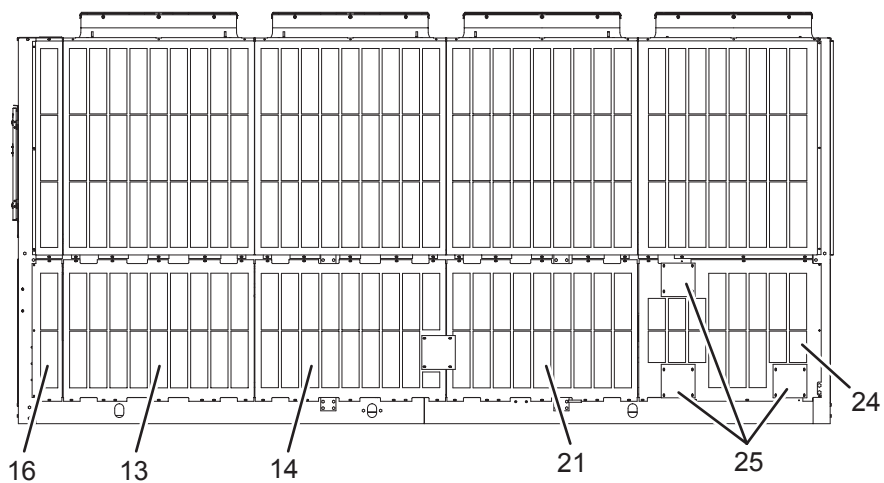
Rear
 392-11341-251
 Louvered Kit for brazed
 plate heat exchanger
 with pump package

LD18255

FIGURE 67 - LOUVERED ENCLOSURE PANELS (YLAA0092 - YLAA0120)

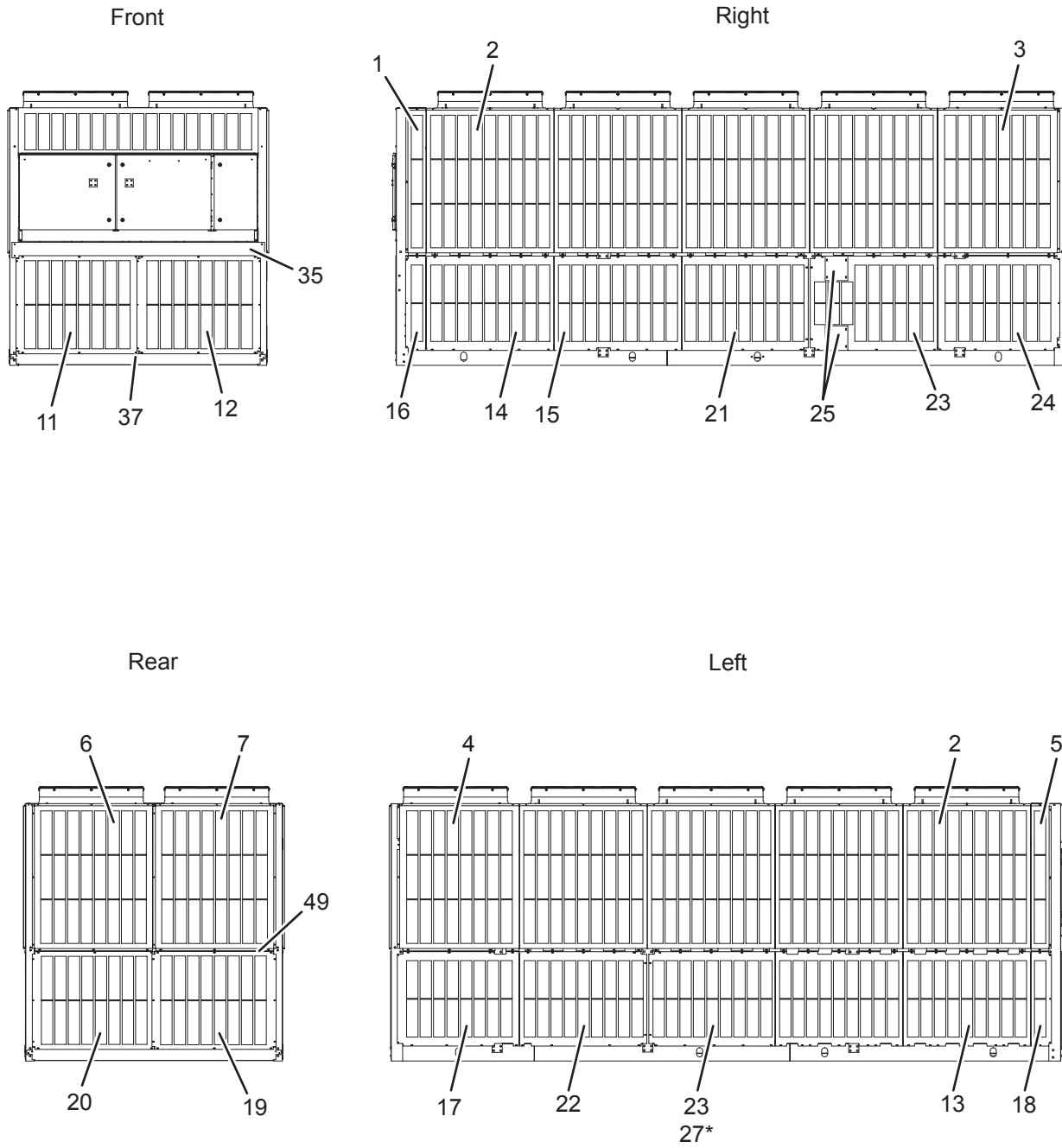


Right - Brazed Plate Heat Exchanger With Pump Kit



LD18256

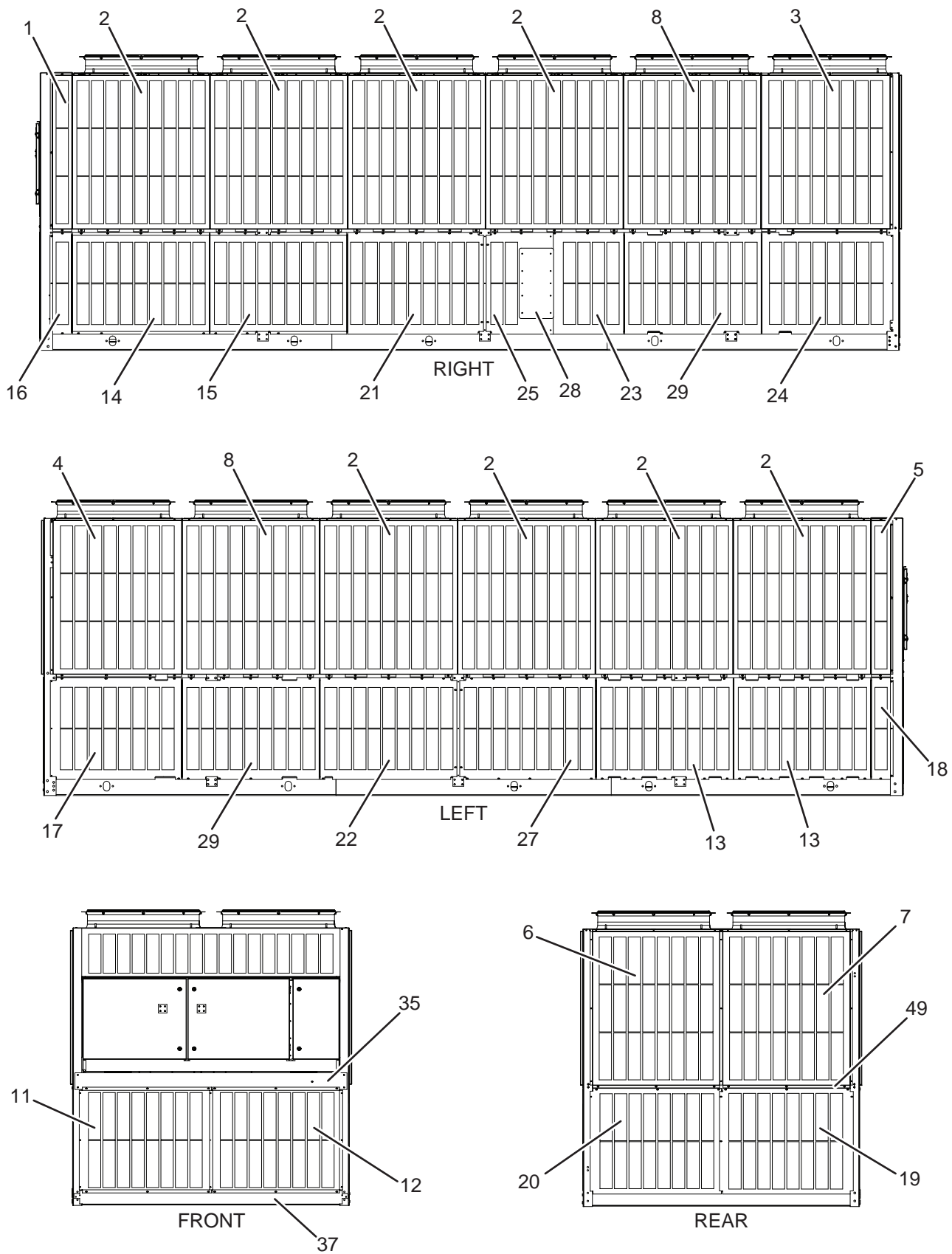
FIGURE 68 - LOUVERED ENCLOSURE PANELS (YLAA0125 - YLAA0155)



* Standard Brazed Plate Heat Exchanger
 With Heat Recovery

LD18257

FIGURE 69 - LOUVERED ENCLOSURE PANELS (YLAA0156 - YLAA0175)



LD23167

FIGURE 70 - LOUVERED ENCLOSURE PANELS (YLAA0200, YLAA0230)

TABLE 97 - WIRE LOUVER ENCLOSURE PANELS (PIN 46 = X)

ITEM	DESCRIPTION	MODELS	PART NUMBER	SAP NUMBER	FIGURE
1	Panel Louver Side Front	YLAA0058, YLAA0065, YLAA0081	092-20312-001	1087918	71, 72, 73, 74
	Panel Louvers Right Side	YLAA0070, YLAA0080, YLAA0089	075-91494-000	760744	
	Panel Louvers Right (Front)	YLAA0092 - YLAA0230	075-91494-001	760745	
2	Panel Louver Side End	YLAA0058, YLAA0065, YLAA0081	092-20312-002	1087919	71, 72, 73, 74
	Panel Louvers Middle	YLAA0070, YLAA0080, YLAA0089 - YLAA0230	075-91494-002	760746	
3	Panel Louvers (Rear Left)	YLAA0058, YLAA0065, YLAA0081	075-91494-004	760748	71, 72, 73, 74
	Panel Louvers End Side Right	YLAA0070, YLAA0080, YLAA0089 - YLAA0230	075-91494-003	760747	
4	Panel Louvers (Rear Right)	YLAA0058, YLAA0065, YLAA0081	075-91494-005	760749	71, 72, 73, 74
	Panel Louvers End (Left)	YLAA0070, YLAA0080, YLAA0089 - YLAA0230	075-91494-023	760766	
4A	Guard Coil	YLAA0058, YLAA0065, YLAA0081	026-47713-002	1087914	71, 72, 73, 74
	Guard Coil	YLAA0070, YLAA0080, YLAA0089 - YLAA0230	026-45058-001	510650	
5	Panel Louvers Left(Front)	YLAA0070, YLAA0080, YLAA0089	075-91494-020	760763	71, 72, 73, 74
	Panel Louvers Left (Front)	YLAA0092 - YLAA0230	075-91494-021	760764	
5A	Guard Coil	YLAA0058, YLAA0065, YLAA0081	026-47713-003	1087915	71, 72, 73, 74
	Guard Coil	YLAA0070, YLAA0080, YLAA0089 - YLAA0230	026-45058-005	511231	
6	Panel Louvers Side End	YLAA0058, YLAA0065, YLAA0081	092-20312-005	1087920	71, 72, 73, 74
	Panel Louvers (Rear Left)	YLAA0070, YLAA0080, YLAA0089 - YLAA0120, YLAA0156 - YLAA0230	075-91494-004	760748	
	Support Grill/Louver	YLAA0125 - YLAA0155	075-75047-006	435518	
7	Panel Louvers Side Front	YLAA0058, YLAA0065, YLAA0081	092-20312-006	1088121	71, 72, 73, 74
	Panel Louvers (Rear Right)	YLAA0070, YLAA0080, YLAA0089 - YLAA0120, YLAA0156 - YLAA0230	075-91494-005	760749	
	Support Grill/Louver	YLAA0125 - YLAA0155	075-75047-008	435681	
8	Support Grill/Louver	YLAA0125 - YLAA0155	075-75047-007	435520	73, 74
		YLAA0200, YLAA0230	075-91494-102	5276979	
9	Support Grill/Louver	YLAA0058, YLAA0065, YLAA0081	092-20313-003	1088128	71, 72, 73, 74
		YLAA0125 - YLAA0155	075-75047-005	438425	
		YLAA0156 - YLAA0175	075-75047-014	448482	
		YLAA0200, YLAA0230	075-75047-040	5278158	
10	Support Grill/Louver	YLAA0058, YLAA0065, YLAA0081	092-20313-004	1088129	71, 72, 73, 74
	Support Grill/Louver	YLAA0092 - YLAA0155	075-75047-004	438426	
	Support Grill/Louver	YLAA0156 - YLAA0230	075-75047-016	448483	
12	Support Grill/Louver	YLAA0058, YLAA0065, YLAA0081	075-75047-022	438427	71, 72, 73, 74
	Support Grill/Louver	YLAA0070, YLAA0080, YLAA0089 - YLAA0230	075-75047-022	438427	
13	Support Grill/Louver	YLAA0058, YLAA0065, YLAA0081	075-75047-019	438429	71, 72, 73, 74
	Support Grill/Louver	YLAA0070, YLAA0080, YLAA0089	075-75047-018	448039	
	Support Grill/Louver	YLAA0092 - YLAA0155	075-75047-019	438429	
	Support Grill/Louver	YLAA0156 - YLAA0230	075-75047-024	448484	

TABLE 97 - WIRE LOUVER ENCLOSURE PANELS (CONT'D)

ITEM	DESCRIPTION	MODELS	PART NUMBER	SAP NUMBER	FIGURE
14	Support Grill/Louver	YLAA0156 - YLAA0175	075-75047-015	448485	74
		YLAA0200, YLAA0230	075-75047-043	5278161	
22	Guard Coil	YLAA0200, YLAA0230	026-45058-011	448489	74
23	Support Grill/Louver	YLAA0058, YLAA0065, YLAA0081	075-75047-001	757569	71
	Support Grill/Louver	YLAA0070, YLAA0080, YLAA0089	075-75047-011	448040	
24	Support Grill/Louver	YLAA0058, YLAA0065, YLAA0081	075-75047-018	448039	71
	Support Grill/Louver	YLAA0070, YLAA0080, YLAA0089	075-75047-012	448351	
31	Support Grill/Louver	YLAA0070, YLAA0080, YLAA0089	075-75047-019	438429	71
32	Support Grill/Louver	YLAA0092 - YLAA0155	075-75047-020	438430	72, 73, 74
	Support Grill/Louver	YLAA0156 - YLAA0230	075-75047-025	448486	
33	Support Grill/Louver	YLAA0125 - YLAA0155	075-75047-023	438441	73, 74
	Support Grill/Louver	YLAA0156 - YLAA0230	075-75047-019	438429	
49	Support Grill/Louver	YLAA0070, YLAA0080, YLAA0089 - YLAA0230	075-75047-001	757569	71, 72, 73, 74

NOTE: Items with an * are NOT represented.

TABLE 98 - WIRE LOUVER ENCLOSURE HEAT RECOVERY (PIN 46 = H)

ITEM	DESCRIPTION	MODELS	PART NUMBER	SAP NUMBER	FIGURE
1	Panel Louvers Right Side	YLAA0070, YLAA0080, YLAA0089	075-91494-000	760744	71, 72,
	Panel Louvers Right (Front)	YLAA0092 - YLAA0230	075-91494-001	760745	73, 74
2	Panel Louvers Middle	YLAA0070, YLAA0080, YLAA0089 - YLAA0230	075-91494-002	760746	71, 72, 73, 74
3	Panel Louvers End Side Right	YLAA0070, YLAA0080, YLAA0089 - YLAA0230	075-91494-003	760747	71, 72, 73, 74
4	Panel Louvers End (Left)	YLAA0070, YLAA0080, YLAA0089 - YLAA0230	075-91494-023	760766	71, 72, 73, 74
4A	Guard Coil	YLAA0070, YLAA0080, YLAA0089 - YLAA0230	026-45058-001	510650	71, 72, 73, 74
5	Panel Louvers Left(Front)	YLAA0070, YLAA0080, YLAA0089	075-91494-020	760763	71, 72,
		YLAA0092 - YLAA0230	075-91494-021	760764	73, 74
5A	Guard Coil	YLAA0070, YLAA0080, YLAA0089 - YLAA0230	026-45058-005	511231	71, 72, 73, 74
6	Panel Louvers (Rear Left)	YLAA0070, YLAA0080, YLAA0089 - YLAA0230	075-91494-004	760748	71, 72, 73, 74
7	Panel Louvers (Rear Right)	YLAA0070, YLAA0080, YLAA0089 - YLAA0230	075-91494-005	760749	71, 72, 73, 74
8	Panel Enclosure	YLAA0070, YLAA0080, YLAA0089	075-91494-057	862855	71, 72, 73, 74
	Panel Louvers Middle	YLAA0092 - YLAA0175	075-91494-042	760785	
		YLAA0200, YLAA0230	075-91494-102	5276979	
9	Panel Enclosure	YLAA0070, YLAA0080, YLAA0089	075-91494-056	862854	71, 72, 73, 74
	Panel Louvers Middle	YLAA0092 - YLAA0175	075-91494-043	760786	
		YLAA0200, YLAA0230	075-91494-073	1034178	
9A	Support Grill/Louver	YLAA0125 - YLAA0155	075-75047-005	438425	73, 74
		YLAA0156 - YLAA0175	075-75047-014	448482	
		YLAA0200, YLAA0230	075-75047-040	5278158	
10	Panel Enclosure	YLAA0092 - YLAA0175	075-91494-048	760791	72, 73, 74
		YLAA0200, YLAA0230	075-75047-016	448483	
10A	Support Grill/Louver	YLAA0092 - YLAA0155	075-75047-004	438426	72, 73, 74
		YLAA0156 - YLAA0175	075-75047-016	448483	
12	Support Grill/Louver	YLAA0070, YLAA0080, YLAA0089 - YLAA0230	075-75047-022	438427	71, 72, 73, 74
13	Support Grill/Louver	YLAA0092 - YLAA0155	075-75047-019	438429	72, 73, 74
		YLAA0156 - YLAA0230	075-75047-024	448484	
14	Support Grill/Louver	YLAA0156 - YLAA0175	075-75047-015	448485	74
		YLAA0200, YLAA0230	075-75047-043	5278161	
22	Guard Coil	YLAA0070, YLAA0080, YLAA0089	026-45058-010	741219	71, 74
		YLAA0156 - YLAA0230	026-45058-011	448489	
23	Support Grill/Louver	YLAA0070, YLAA0080, YLAA0089	075-75047-011	448040	71
24	Support Grill/Louver	YLAA0070, YLAA0080, YLAA0089	075-75047-012	448351	71
26	Panel Enclosure	YLAA0070, YLAA0080, YLAA0089	075-75918-042	543892	71
31	Support Grill/Louver	YLAA0070, YLAA0080, YLAA0089	075-75047-019	438429	71, 74
		YLAA0200, YLAA0230	075-91494-075	1034180	
32	Support Grill/Louver	YLAA0092 - YLAA0155	075-75047-020	438430	72, 73, 74
		YLAA0156 - YLAA0230	075-75047-025	448486	
33	Support Grill/Louver	YLAA0125 - YLAA0155	075-75047-023	438441	73, 74
		YLAA0156 - YLAA0230	075-75047-019	438429	
49	Support Grill/Louver	YLAA0070, YLAA0080, YLAA0089 - YLAA0175	075-75047-001	757569	71, 72, 73, 74

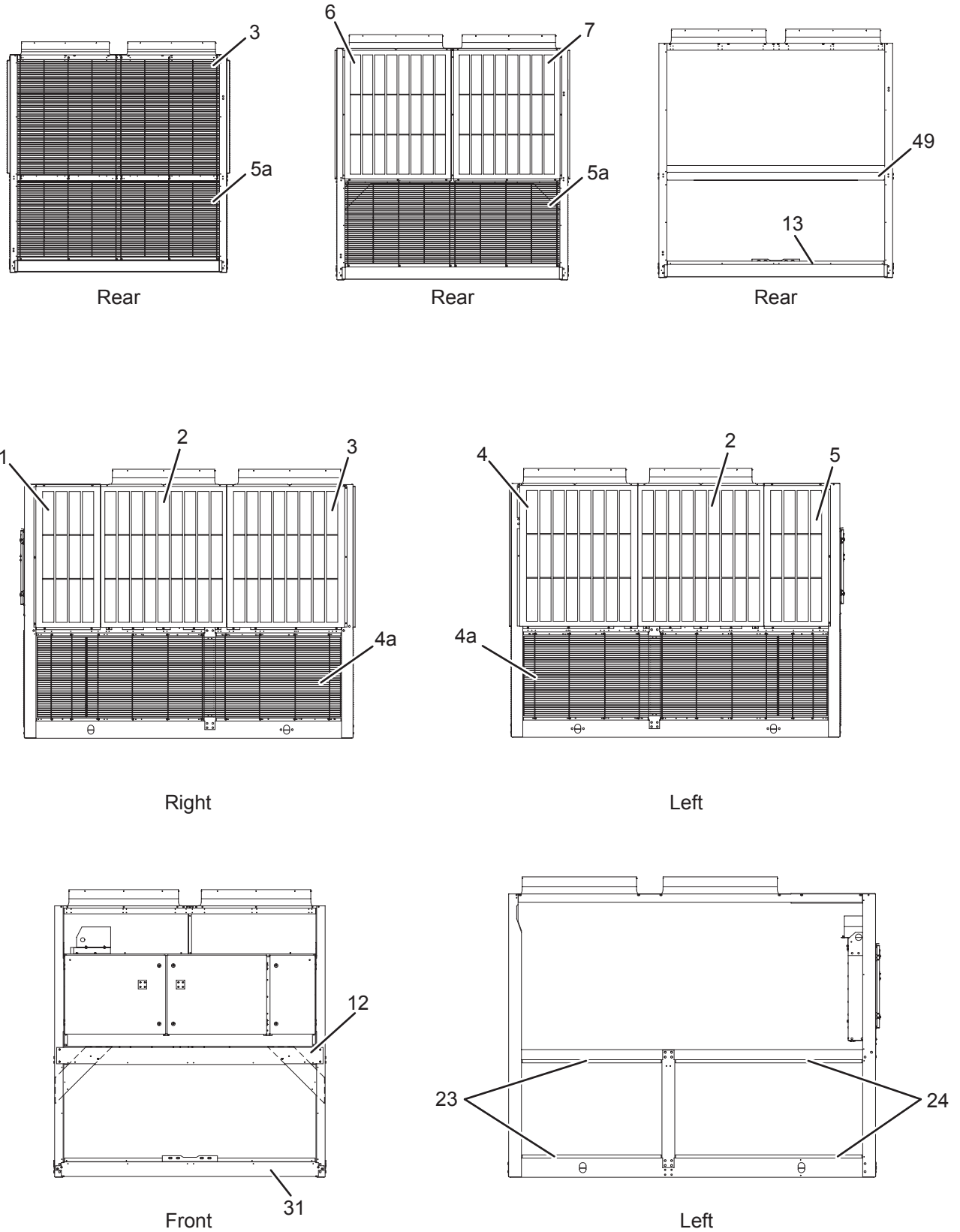
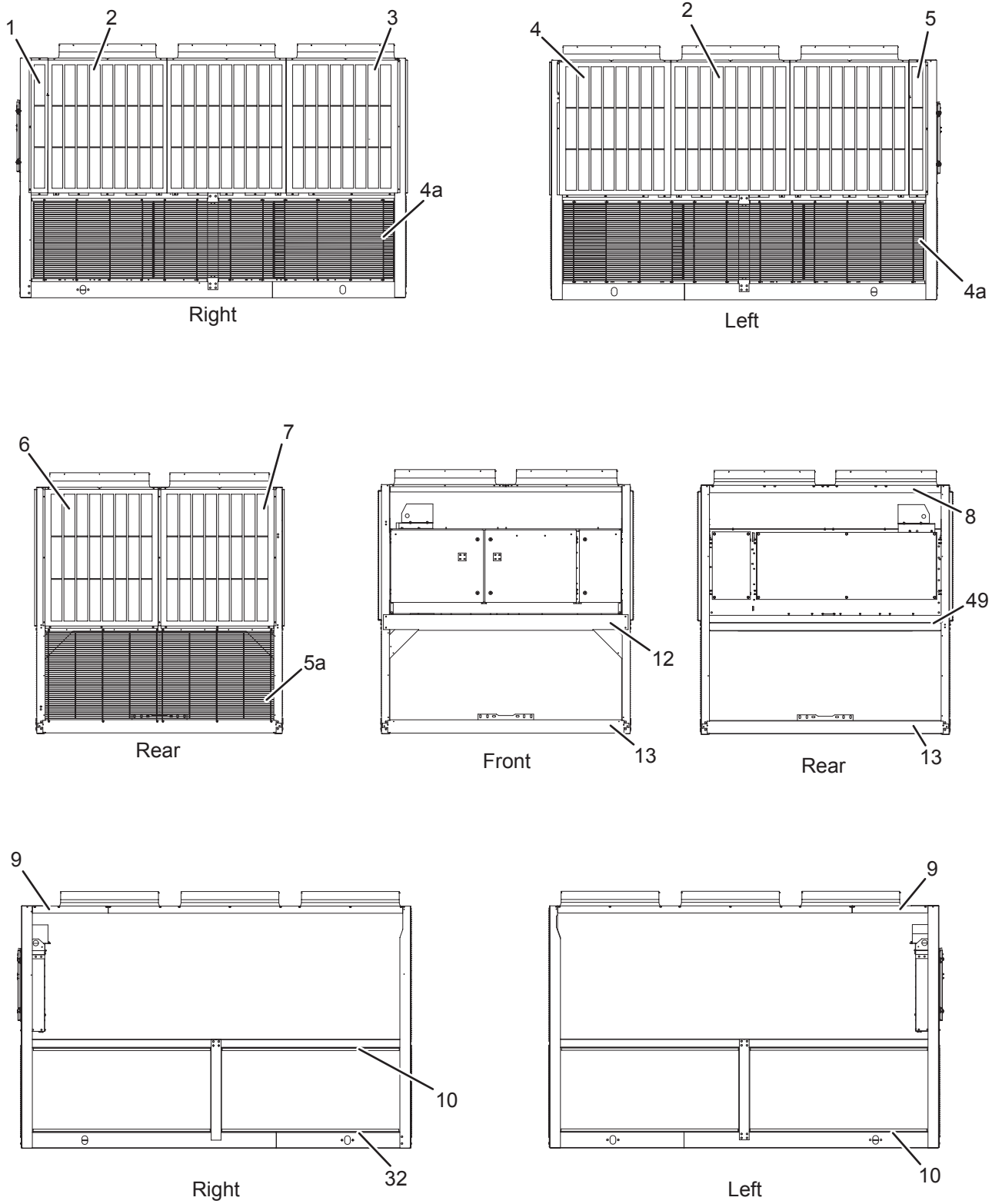


FIGURE 71 - WIRE LOUVER ENCLOSURE PANELS (YLAA0058 - YLAA0089)



LD18259

FIGURE 72 - WIRE LOUVER ENCLOSURE PANELS (YLAA0092 - YLAA0120)

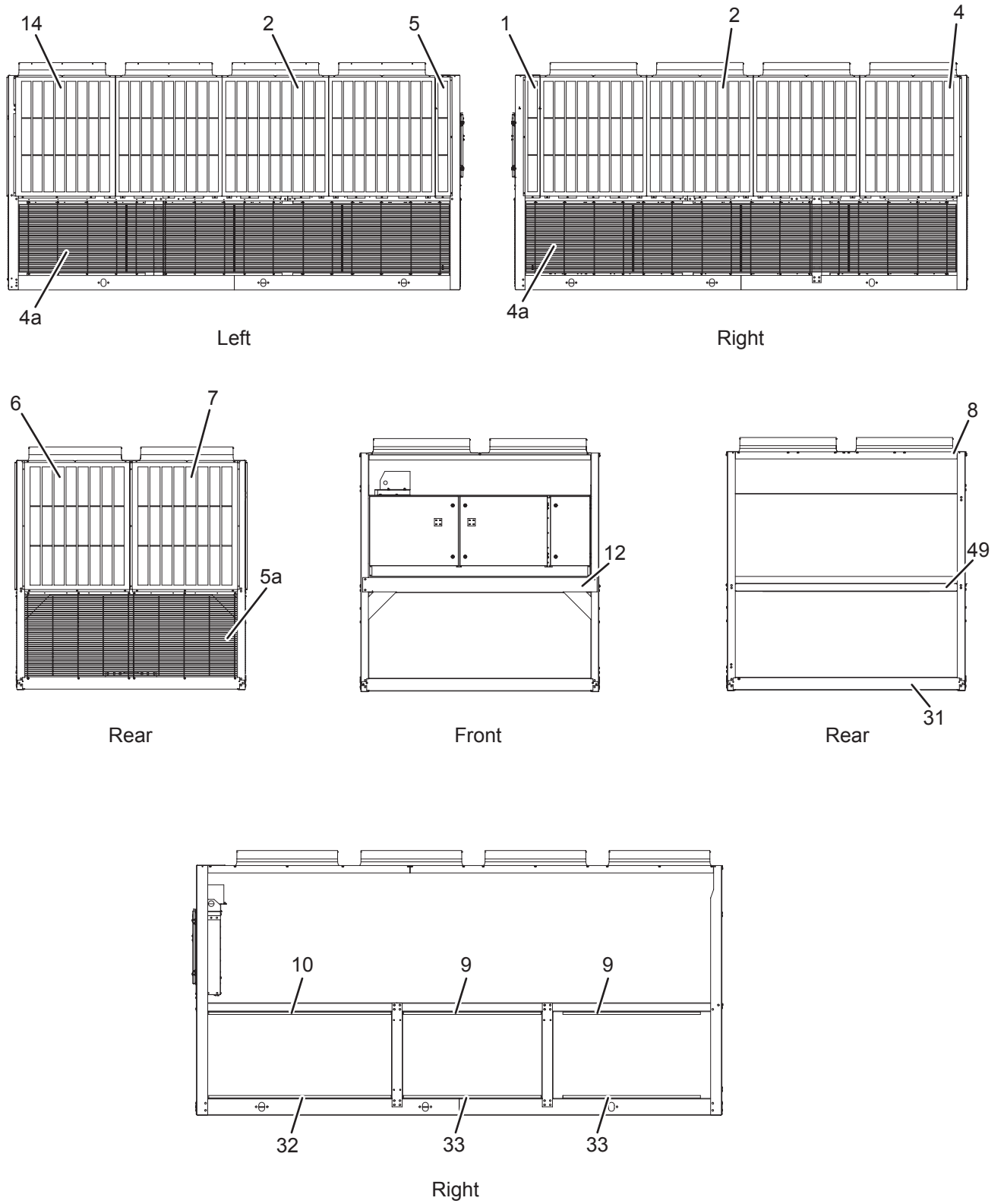
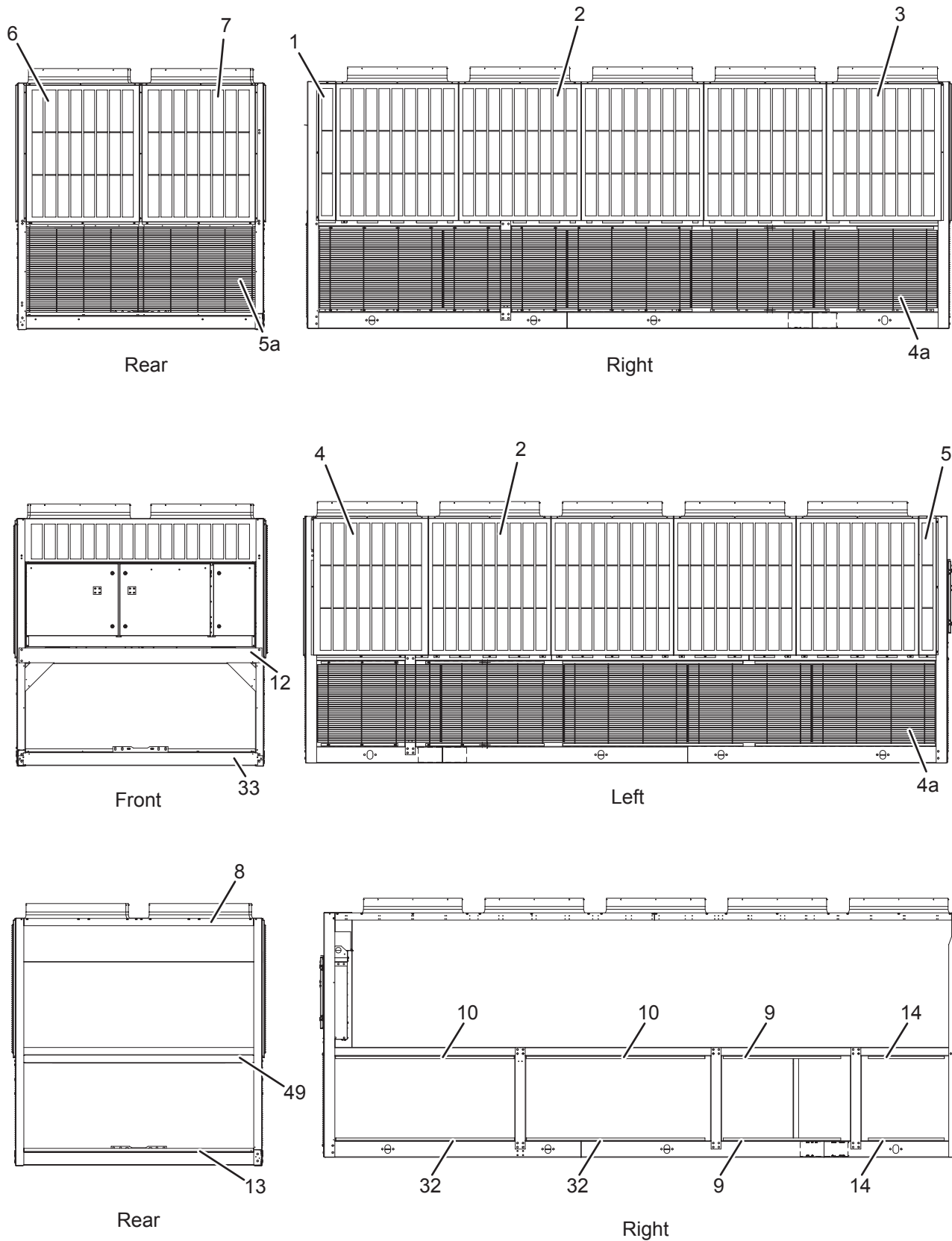


FIGURE 73 - WIRE LOUVER ENCLOSURE PANELS (YLAA0125 - YLAA0155)



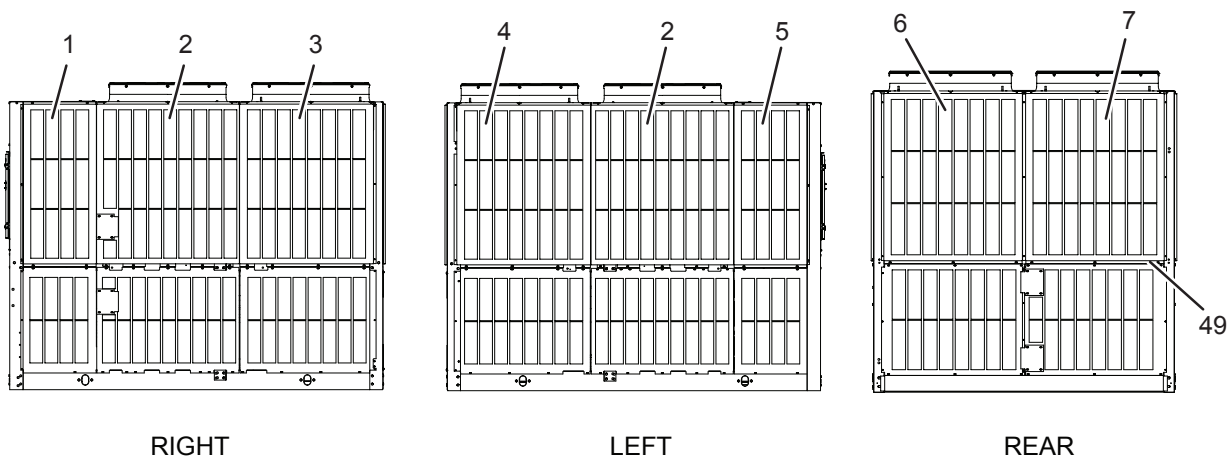
LD18261

FIGURE 74 - WIRE LOUVER ENCLOSURE PANELS (YLAA0156 - YLAA0230)

TABLE 99 - LOUVER ENCLOSURE PANELS CONDENSER ONLY

ITEM	DESCRIPTION	MODELS	PART NUMBER	SAP NUMBER	FIGURE
1	Panel Louver Side Front	YLAA0058, YLAA0065, YLAA0081	092-20312-001	1087918	75
	Panel Louvers Right Side	YLAA0070, YLAA0080, YLAA0089	075-91494-000	760744	
	Panel Louvers Right (Front)	YLAA0092 - YLAA0230	075-91494-001	760745	
2	Panel Louver Side End	YLAA0058, YLAA0065, YLAA0081	092-20312-002	1087919	75
	Panel Louvers Middle	YLAA0070, YLAA0080, YLAA0089 - YLAA0230	075-91494-002	760746	
3	Panel Louvers (Rear Left)	YLAA0058, YLAA0065, YLAA0081	075-91494-004	760748	75
	Panel Louvers End Side Right	YLAA0070, YLAA0080, YLAA0089 - YLAA0230	075-91494-003	760747	
4	Panel Louvers (Rear Right)	YLAA0058, YLAA0065, YLAA0081	075-91494-005	760749	75
	Panel Louvers End (Left)	YLAA0070, YLAA0080, YLAA0089 - YLAA0230	075-91494-023	760766	
5	Panel Louvers Left(Front)	YLAA0070, YLAA0080, YLAA0089	075-91494-020	760763	75
	Panel Louvers Left (Front)	YLAA0092 - YLAA0230	075-91494-021	760764	
6	Panel Louvers (Rear Left)	YLAA0070, YLAA0080, YLAA0089 - YLAA0230	075-91494-004	760748	75
7	Panel Louvers (Rear Right)	YLAA0070, YLAA0080, YLAA0089 - YLAA0230	075-91494-005	760749	75
8	Panel Louvers Middle	YLAA0200, YLAA0230	075-91494-102	5276979	*
31	Panel Louvers Side End	YLAA0058, YLAA0065, YLAA0081	092-20312-005	1087920	*
32	Panel Louvers Side Front	YLAA0058, YLAA0065, YLAA0081	092-20312-006	1088121	*
49	Support Grill/Louver	YLAA0070, YLAA0080, YLAA0089 - YLAA0230	075-75047-001	757569	75

NOTE: Items with an * are NOT represented.



Models YLAA0058-YLAA0089
Shown

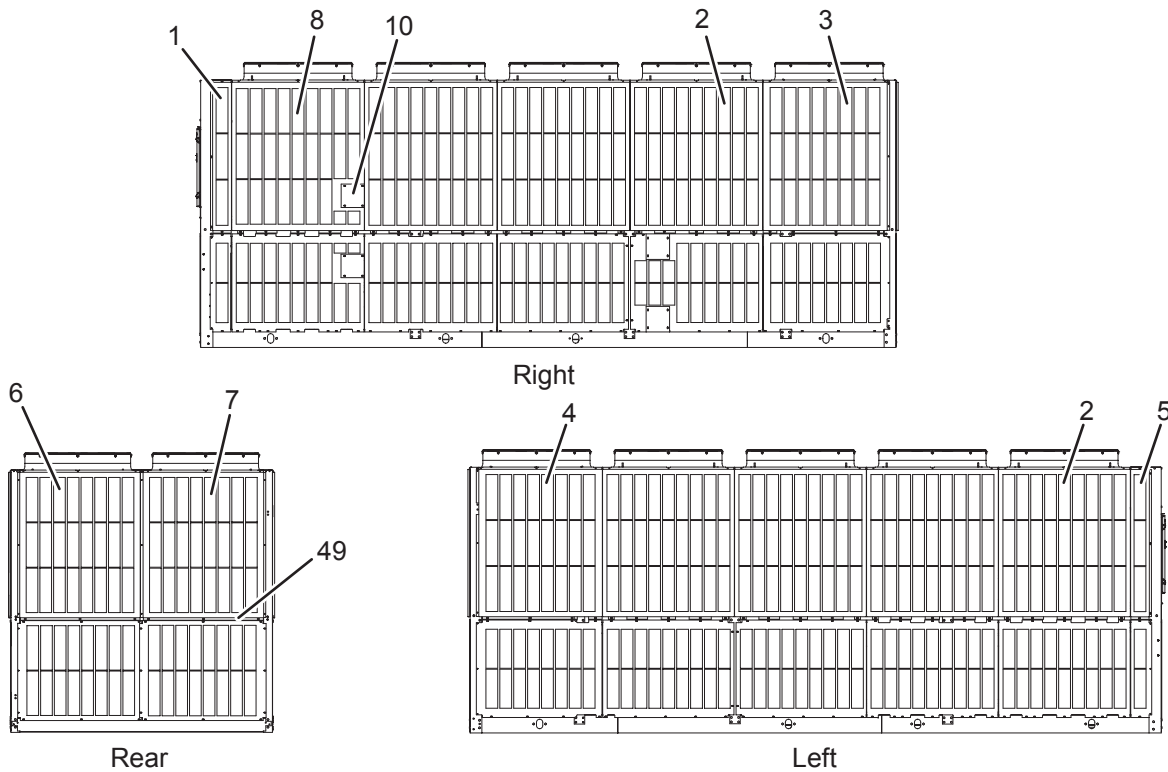
LD18262

FIGURE 75 - LOUVER ENCLOSURE PANELS CONDENSER ONLY

TABLE 100 - LOUVER ENCLOSURE HEAT RECOVERY

ITEM	DESCRIPTION	MODELS	PART NUMBER	SAP NUMBER	FIGURE
1	Panel Louvers Right Side	YLAA0070, YLAA0080, YLAA0089	075-91494-000	760744	76
	Panel Louvers Right (Front)	YLAA0092 - YLAA0230	075-91494-001	760745	
2	Panel Louvers Middle	YLAA0070, YLAA0080, YLAA0089 - YLAA0230	075-91494-002	760746	76
3	Panel Louvers End Side Right	YLAA0070, YLAA0080, YLAA0089 - YLAA0230	075-91494-003	760747	76
4	Panel Louvers End (Left)	YLAA0070, YLAA0080, YLAA0089 - YLAA0230	075-91494-023	760766	76
5	Panel Louvers Left(Front)	YLAA0070, YLAA0080, YLAA0089	075-91494-020	760763	76
	Panel Louvers Left (Front)	YLAA0092 - YLAA0230	075-91494-021	760764	
6	Panel Louvers (Rear Left)	YLAA0070, YLAA0080, YLAA0089 - YLAA0230	075-91494-004	760748	76
7	Panel Louvers (Rear Right)	YLAA0070, YLAA0080, YLAA0089 - YLAA0230	075-91494-005	760749	76
8	Panel Enclosure	YLAA0070, YLAA0080, YLAA0089	075-91494-057	862855	76
	Panel Louvers Middle	YLAA0092 - YLAA0175	075-91494-042	760785	
		YLAA0200, YLAA0230	075-91494-102	5276979	
9	Panel Enclosure	YLAA0070, YLAA0080, YLAA0089	075-91494-056	862854	*
	Panel Louvers Middle	YLAA0092 - YLAA0175	075-91494-043	760786	
		YLAA0200, YLAA0230	075-91494-073	1034178	
10	Panel Enclosure	YLAA0092 - YLAA0175	075-91494-048	760791	76
49	Support Grill/Louver	YLAA0070, YLAA0080, YLAA0089 - YLAA0230	075-75047-001	757569	76

NOTE: Items with an * are NOT represented.



Models YLAA0156 - YLAA0175 Shown

LD18263

FIGURE 76 - LOUVER ENCLOSURE HEAT RECOVERY

TABLE 101 - MECHANICAL EXTENSION KIT YLAA0058 - YLAA0120

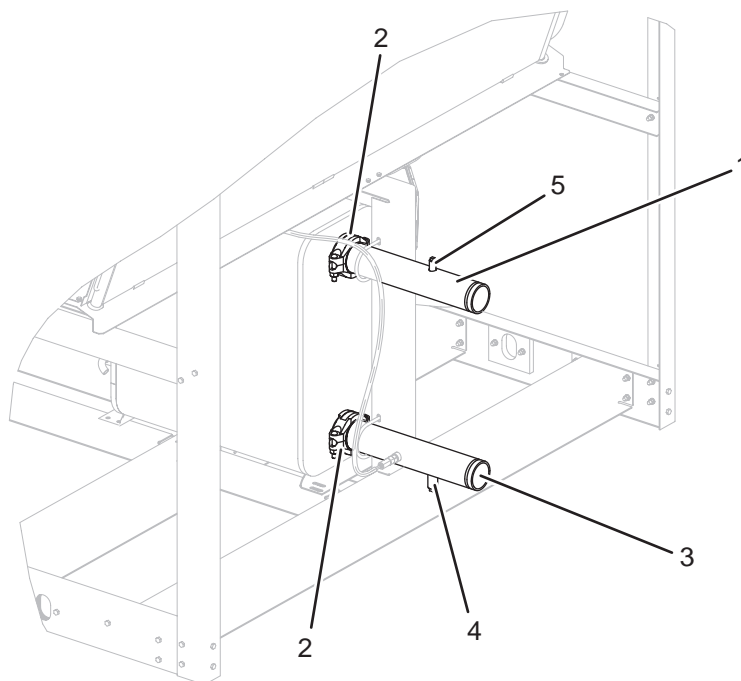
ITEM	DESCRIPTION	MODELS	PART NUMBER	SAP NUMBER	QTY	FIGURE
1	Kit, Water Connection Extension	YLAA0058 - YLAA0070	392-11489-001	901487	1	77
	Pipe Extension		092-09771-001	844065	1	
	CPLG Pipe 1/4 3000		023-02565-000	146494	1	
	Kit, Water Connection Extension	YLAA0080	392-11489-002	901488	1	
	Pipe Extension		092-09771-002	844066	1	
	CPLG Pipe 1/4 3000		023-02565-000	146494	1	
	Kit, Water Connection Extension	YLAA0081	392-11489-003	901489	1	
	Pipe Extension		092-09771-003	844067	1	
	CPLG Pipe 1/4 3000		023-02565-000	146494	1	
	Kit, Water Connection Extension	YLAA0089	392-11489-006	901742	1	
	Pipe Extension		092-09771-006	844070	1	
	CPLG Pipe 1/4 3000		023-02565-000	146494	1	
	Kit, Water Connection Extension	YLAA0092 - YLAA0115	392-11489-004	901490	1	
	Pipe Extension		092-09771-004	844068	1	
	CPLG Pipe 1/4 3000		023-02565-000	146494	1	
	Kit, Water Connection Extension	YLAA0120	392-11489-005	901741	1	
Pipe Extension	092-09771-005		844069	1		
CPLG Pipe 1/4 3000	023-02565-000		146494	1		
2	Flexible Coupling Victaulic 3"	YLAA0058 - YLAA0120	023-23834-001	435867	2	77
3	Pipe Extension Evaporator Assy	YLAA0058 - YLAA0070	392-11489-051	860848	1	77
	Pipe Extension		092-09771-051	860818	1	
	CPLG Half Pipe 1/4 - 18 NPTI		023-20862-000	617692	1	
	CPLG Pipe 1/2 3000		023-01564-000	146587	1	
	Pipe Extension Evaporator Assy	YLAA0080	392-11489-052	860849	1	
	Pipe Extension		092-09771-052	860819	1	
	CPLG Half Pipe 1/4 - 18 NPTI		023-20862-000	617692	1	
	CPLG Pipe 1/2 3000		023-01564-000	146587	1	
	Pipe Extension Evaporator Assy	YLAA0081	392-11489-053	860850	1	
	Pipe Extension		092-09771-053	860820	1	
	CPLG Half Pipe 1/4 - 18 NPTI		023-20862-000	617692	1	
	CPLG Pipe 1/2 3000		023-01564-000	146587	1	
	Pipe Extension Evaporator Assy	YLAA0089	392-11489-056	860853	1	
	Pipe Extension		092-09771-056	860843	1	
	CPLG Half Pipe 1/4 - 18 NPTI		023-20862-000	617692	1	
	CPLG Pipe 1/2 3000		023-01564-000	146587	1	
	Pipe Extension Evaporator Assy	YLAA0092 - YLAA0115	392-11489-054	860851	1	
	Pipe Extension		092-09771-054	860841	1	
	CPLG Half Pipe 1/4 - 18 NPTI		023-20862-000	617692	1	
	CPLG Pipe 1/2 3000		023-01564-000	146587	1	
Pipe Extension Evaporator Assy	YLAA0120	392-11489-055	860852	1		
Pipe Extension		092-09771-055	860842	1		
CPLG Half Pipe 1/4 - 18 NPTI		023-20862-000	617692	1		
CPLG Pipe 1/2 3000		023-01564-000	146587	1		
4	Square Head Pipe Plug 1/2 NPTI	YLAA0058 - YLAA0120	023-01991-000	146538	1	77
5	Plug Pipe 1/4 Square Head	YLAA0058 - YLAA0120	023-01972-000	146597	1	77

TABLE 102 - MECHANICAL EXTENSION KIT YLAA0125 - YLAA0230

ITEM	DESCRIPTION	MODEL	PART NUMBER	SAP	QTY	FIGURE
1	Pipe Extension Evaporator Assy	YLAA0125	392-09842-004	961431	1	78, 79
	Pipe Extension Evaporator		092-09839-004	961410	1	
	CPLG Pipe 1/4 3000		023-02565-000	146494	1	
	CPLG Pipe 1/2 3000		023-01564-000	146587	1	
1	Pipe Extension Evaporator Assy	YLAA0136, YLAA0150, YLAA0156, YLAA0170	392-09842-003	961430	1	
	Pipe Extension Evaporator		092-09839-003	961409	1	
	CPLG Pipe 1/4 3000		023-02565-000	146494	1	
	CPLG Pipe 1/2 3000		023-01564-000	146587	1	
1	Pipe Extension Evaporator Assy	YLAA0142, YLAA0155	392-09842-002	961429	1	
	Pipe Extension Evaporator		092-09839-002	961408	1	
	CPLG Pipe 1/4 3000		023-02565-000	146494	1	
	CPLG Pipe 1/2 3000		023-01564-000	146587	1	
1	Pipe Extension Evaporator Assy	YLAA0175	392-09842-001	961428	1	
	Pipe Extension Evaporator		092-09839-001	961407	1	
	CPLG Pipe 1/4 3000		023-02565-000	146494	1	
	CPLG Pipe 1/2 3000		023-01564-000	146587	1	
1	Pipe Extension Evaporator Assy	YLAA0200, YLAA0230	392-41494-001	5197211	1	
	Pipe Extension Evaporator		092-41490-001	5197177	1	
	CPLG Pipe 1/4 3000		023-02565-000	146494	1	
	CPLG Pipe 1/2 3000		023-01564-000	146587	1	
2	Pipe Extension Vaporator Assy	YLAA0125	392-09842-104	961435	1	78, 79
	Pipe Extension Evaporator		092-09839-104	961414	1	
	CPLG Pipe 1/2 3000		023-01564-000	146587	2	
	CPLG Half Pipe 1/4 - 18 Npti		023-20862-000	617692	1	
2	Pipe Extension Vaporator Assy	YLAA0136, YLAA0150, YLAA0156, YLAA0170	392-09842-103	961434	1	
	Pipe Extension Evaporator		092-09839-103	961413	1	
	CPLG Pipe 1/2 3000		023-01564-000	146587	2	
	CPLG Half Pipe 1/4 - 18 Npti		023-20862-000	617692	1	
2	Pipe Extension Vaporator Assy	YLAA0142, YLAA0155	392-09842-102	961433	1	
	Pipe Extension Evaporator		092-09839-102	961412	1	
	CPLG Pipe 1/2 3000		023-01564-000	146587	2	
	CPLG Half Pipe 1/4 - 18 Npti		023-20862-000	617692	1	
2	Pipe Extension Vaporator Assy	YLAA0175	392-09842-101	961432	1	
	Pipe Extension Evaporator		092-09839-101	961411	1	
	CPLG Pipe 1/2 3000		023-01564-000	146587	2	
	CPLG Half Pipe 1/4 - 18 Npti		023-20862-000	617692	1	
2	Pipe Extension Vaporator Assy	YLAA0200, YLAA0230	392-41494-002	5197212	1	
	Pipe Extension Evaporator		092-41490-002	5197178	1	
	CPLG Half Pipe 1/4 - 18 Npti		023-20862-000	617692	1	
	CPLG Pipe 1/2 3000		023-01564-000	146587	2	
3	Flexible Coupling Victaulic 3"	YLAA0125 - YLAA0175	023-23834-001	435867	4	78, 79
	Flexible Coupling Victaulic 5"	YLAA0200, YLAA0230	023-23834-007	5197133	5	
4	Pipe Extension Evaporator Assy	YLAA0125 - YLAA0175	392-09843-000	961436	2	78, 79
	Union Instrm 1/2 Tube X		023-09843-000	732186	2	
	Pipe Extension		092-09840-001	961415	2	
	Pipe Extension		092-09840-002	961416	2	

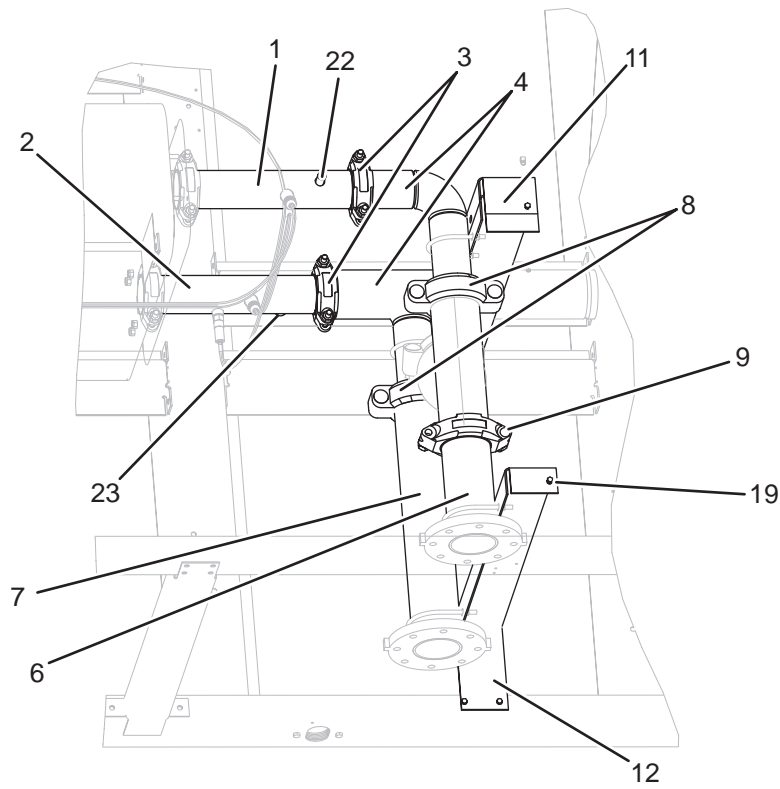
TABLE 102 - MECHANICAL EXTENSION KIT YLAA0125 - YLAA0230 (CONT'D)

ITEM	DESCRIPTION	MODEL	PART NUMBER	SAP	QTY	FIGURE
4	Pipe Extension Evaporator Assy	YLAA0200, YLAA0230	392-41494-003	5197213	1	79
	Elbow Weld Butt Sr 5 X 5		023-02499-000	555896	1	
	Pipe Extension		092-41490-003	5197179	1	
	Pipe Extension		092-41490-006	5197180	1	
	Elbow Weld Butt Lr 5 X 5		023-02495-000	617322	1	
5	Pipe Extension Evaporator Assy	YLAA0200, YLAA0230	392-41494-004	5240541	1	79
	Elbow Weld Butt Sr 5 X 5		023-02499-000	555896	1	
	Pipe Extension		092-41490-003	5197179	1	
	Pipe Extension		092-41490-006	5197180	1	
	Elbow Weld Butt Lr 5 X 5		023-02495-000	617322	1	
6	Pipe Extension	YLAA0125 - YLAA0175	092-09841-001	961417	1	78
7	Pipe Extension	YLAA0125 - YLAA0175	092-09841-002	961418	1	78
8	Reducer Victaulic 4.000 In Victaulic	YLAA0125 - YLAA0175	023-25902-000	961403	2	78
9	Flexible Coupling Victaulic 4"	YLAA0125 - YLAA0175	023-23834-002	733854	1	78
11	Bracket Support	YLAA0125 - YLAA0175	092-07700-036	961405	1	78
		YLAA0200, YLAA0230	092-41485-020	5197156	1	79
12	Bracket Support	YLAA0125 - YLAA0175	092-07700-038	961406	1	78
		YLAA0200, YLAA0230	092-41485-019	5197155	1	79
19	HHCS 0.250-20 X 0.750 Gr 5 Emp	YLAA0125 - YLAA0230	021-19313-012	730445	2	78, 79
22	Plug Pipe 1/4 Square Head	YLAA0125 - YLAA0230	023-01972-000	146597	1	78, 79
23	Square Head Pipe Plug 1/2 Npt	YLAA0125 - YLAA0230	023-01991-000	146538	1	78, 79
24	Well Thermo	YLAA0200-YLAA0230	026-36952-000	618433	2	79



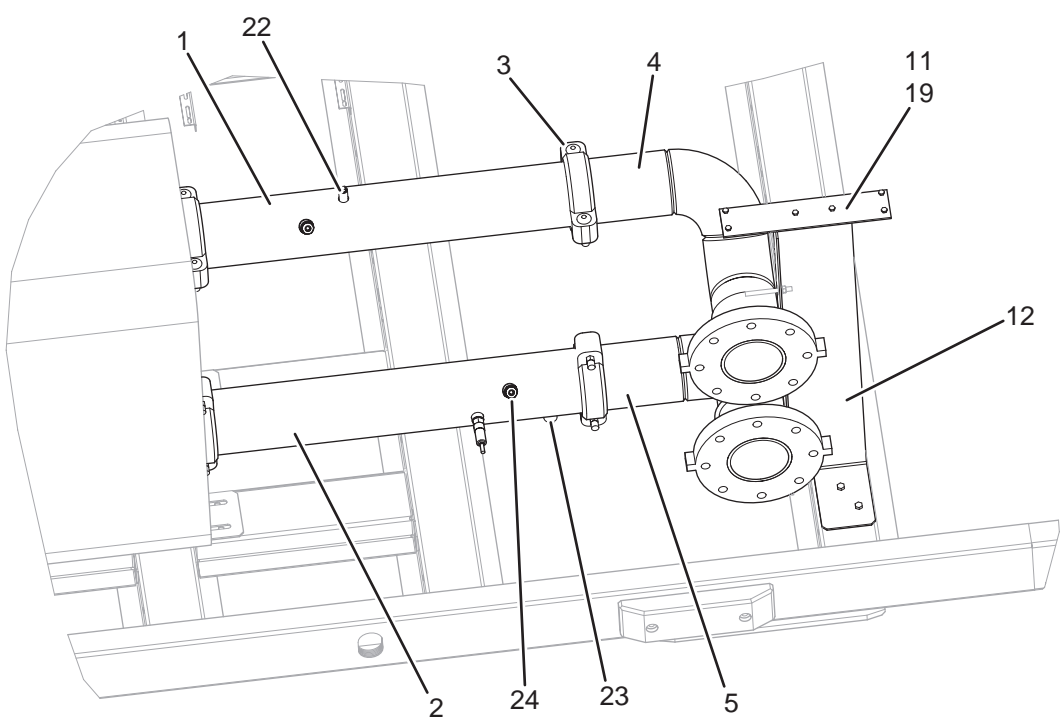
LD18115

FIGURE 77 - MECHANICAL EXTENSION KIT (YLAA0058, YLAA0120)



LD18116

FIGURE 78 - MECHANICAL EXTENSION KIT (YLAA0125, YLAA0175)

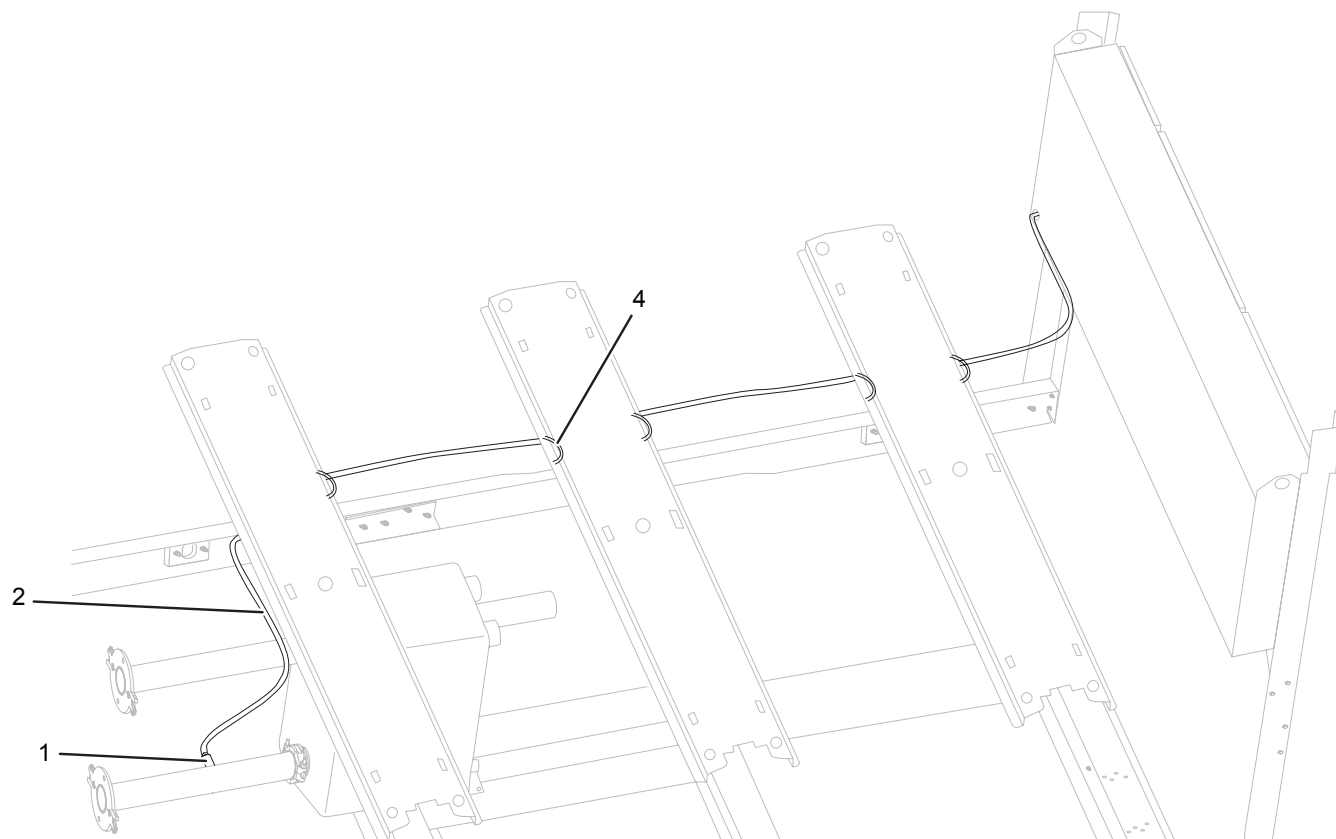


LD23162

FIGURE 79 - MECHANICAL EXTENSION KIT (YLAA0200, YLAA0230)

TABLE 103 - ELECTRONIC EXTENSION KIT

ITEM	DESCRIPTION	PART NUMBER	SAP NUMBER	QUANTITY	FIGURE
1	Sensor Flow 1/4" Npt Conn	025-43553-000	618247	1	80
2	Flow Switch Cable	024-38119-000	852692	1	80
4	Strap, Cable	025-39830-000	556821	5	80



LD17096

FIGURE 80 - ELECTRONIC EXTENSION KIT

TABLE 104 - PUMP ELECTRICAL COMMON PARTS

ITEM	DESCRIPTION	PUMP KIT	VOLTS	PART NUMBER	SAP NUMBER
1	Single Pump Kit Panel	A, E, J, R	17, 28	375-75880-106	792768
	Dual Pump Kit Panel			375-75876-106	792725
	Single Pump Kit Panel		40, 46	375-75880-119	853064
	Dual Pump Kit Panel			375-75876-119	853022
	Single Pump Kit Panel		58	375-75880-118	853063
	Dual Pump Kit Panel			375-75876-118	853021
1	Single Pump Kit Panel	B, G, U	17	375-75880-128	1088632
	Dual Pump Kit Panel			375-75876-128	1088617
	Single Pump Kit Panel		28	375-75880-107	792769
	Dual Pump Kit Panel			375-75876-107	852697
	Single Pump Kit Panel		40, 46	375-75880-109	792771
	Dual Pump Kit Panel			375-75876-109	852698
	Single Pump Kit Panel		58	375-75880-119	853064
	Dual Pump Kit Panel			375-75876-119	853022
1	Single Pump Kit Panel	C, H, N, S	17	375-75880-129	1088633
	Dual Pump Kit Panel			375-75876-129	1088618
	Single Pump Kit Panel		28	375-75880-103	792765
	Dual Pump Kit Panel			375-75876-103	792722
	Single Pump Kit Panel		40	375-75880-101	792763
	Dual Pump Kit Panel			375-75876-101	792721
	Single Pump Kit Panel		46	375-75880-106	792768
	Dual Pump Kit Panel			375-75876-106	792725
	Single Pump Kit Panel		58	375-75880-114	792776
	Dual Pump Kit Panel			375-75876-114	792731
1	Single Pump Kit Panel	D, F, I, K, P, T	17	375-75880-130	1088634
	Dual Pump Kit Panel			375-75876-130	1088619
	Single Pump Kit Panel		28	375-75880-104	792766
	Dual Pump Kit Panel			375-75876-104	792723
	Single Pump Kit Panel		40	375-75880-112	792774
	Dual Pump Kit Panel			375-75876-112	792729
	Single Pump Kit Panel		46	375-75880-115	792777
	Dual Pump Kit Panel			375-75876-115	792732
	Single Pump Kit Panel		58	375-75880-121	853066
	Dual Pump Kit Panel			375-75876-121	853024
1	Single Pump Kit Panel	L, V	17	375-75880-131	1088635
	Dual Pump Kit Panel			375-75876-131	1088620
	Single Pump Kit Panel		28	375-75880-122	853067
	Dual Pump Kit Panel			375-75876-122	853025
	Single Pump Kit Panel		40	375-75880-123	853068
	Dual Pump Kit Panel			375-75876-123	853026
	Single Pump Kit Panel		46	375-75880-100	792762
	Single Pump Kit Panel			375-75876-100	792720
	Single Pump Kit Panel		58	375-75880-124	853069
	Dual Pump Kit Panel			375-75876-124	853027

TABLE 104 - PUMP ELECTRICAL COMMON PARTS (CONT'D)

ITEM	DESCRIPTION	PUMP KIT	VOLTS	PART NUMBER	SAP NUMBER
1	Single Pump Kit Panel	M	17	375-75880-127	1088631
	Dual Pump Kit Panel			375-75876-127	1088616
	Single Pump Kit Panel		28	375-75880-119	853064
	Dual Pump Kit Panel			375-75876-119	853022
	Single Pump Kit Panel		40, 46	375-75880-116	853061
	Dual Pump Kit Panel			375-75876-116	852699
	Single Pump Kit Panel		58	375-75880-117	853062
	Dual Pump Kit Panel			375-75876-117	852700
2	Flow Switch Cable	All	All	024-38119-000	852692
3	Wiring Harness YLAA	All	All	575-72382-600	853121
4	Sensor Flow 1/4" Npt Conn	All	All	025-43553-000	618247
5	Insr Elec For Use With	All	All	025-10371-000	737257
6	Ferr Splice Cap For Use With	All	All	025-10372-000	737258
7	Fitting Liquid Tight 1/2 Npt	All	All	025-28720-000	117421
8	Bracket Terminal Box Pump Kit	All	All	092-04930-003	1065891
9	Screw Cap Hex 1/4 Un X 3/4 Lg	All	All	021-31337-000	536603
10	Encl Elec H=130.00mm W=130.00mm	All	All	025-45163-000	840936
14	Heating Cable	All	All	025-42119-001	435099
16	Heat Shrink End Cap	All	All	025-42120-000	740059
17	Strap, Cable	All	All	025-39830-000	556821
18	Heating Cable Tape	All	All	025-42146-000	740061
19	Schematic YLAA	All	All	035-21583-105	745286
21	Jumper - Pump Kit	All	All	575-72382-289	832664
27	Locknut, 1/2 Npt, Nylon Black;	All	All	025-34090-000	435354
40	Kit,Elec.YLAA Pump Pkg Sngl Pump W\	All	All	075-75880-300	1053297
	Kit,Elec YLAA Pump Pkg Dual Pump WB			075-75876-300	1053295

TABLE 105 - PUMP SELECTION

PUMP KIT	VOLTS	PIN 60 =		QUANTITY
		SINGLE PUMP PART NUMBER	DUAL PUMP PART NUMBER	
A	17	026-47089-101	026-47089-301	1
	28	026-47089-102	026-47089-302	1
	40	026-47089-103	026-47089-303	1
	46	026-47089-104	026-47089-304	1
	50	026-47089-105	026-47089-305	1
	58	026-47089-106	026-47089-306	1
B	17	026-47089-107	026-47089-307	1
	28	026-47089-108	026-47089-308	1
	40	026-47089-109	026-47089-309	1
	46	026-47089-110	026-47089-310	1
	50	026-47089-111	026-47089-311	1
	58	026-47089-112	026-47089-312	1
C	17	026-47089-113	026-47089-313	1
	28	026-47089-114	026-47089-314	1
	40	026-47089-115	026-47089-315	1
	46	026-47089-116	026-47089-316	1
	50	026-47089-117	026-47089-317	1
	58	026-47089-118	026-47089-318	1
D	17	026-47089-119	026-47089-319	1
	28	026-47089-120	026-47089-320	1
	40	026-47089-121	026-47089-321	1
	46	026-47089-122	026-47089-322	1
	50	—	—	—
	58	026-47089-124	026-47089-324	1
E	17	026-47089-125	026-47089-325	1
	28	026-47089-126	026-47089-326	1
	40	026-47089-127	026-47089-327	1
	46	026-47089-128	026-47089-328	1
	50	026-47089-129	026-47089-329	1
	58	026-47089-130	026-47089-330	1
F	17	026-47089-131	026-47089-331	1
	28	026-47089-132	026-47089-332	1
	40	026-47089-133	026-47089-333	1
	46	026-47089-134	026-47089-334	1
	50	026-47089-135	026-47089-335	1
	58	026-47089-136	026-47089-336	1
G	17	026-47089-137	026-47089-337	1
	28	026-47089-138	026-47089-338	1
	40	026-47089-139	026-47089-339	1
	46	026-47089-140	026-47089-340	1
	50	026-47089-141	026-47089-341	1
	58	026-47089-142	026-47089-342	1

TABLE 105 - PUMP SELECTION (CONT'D)

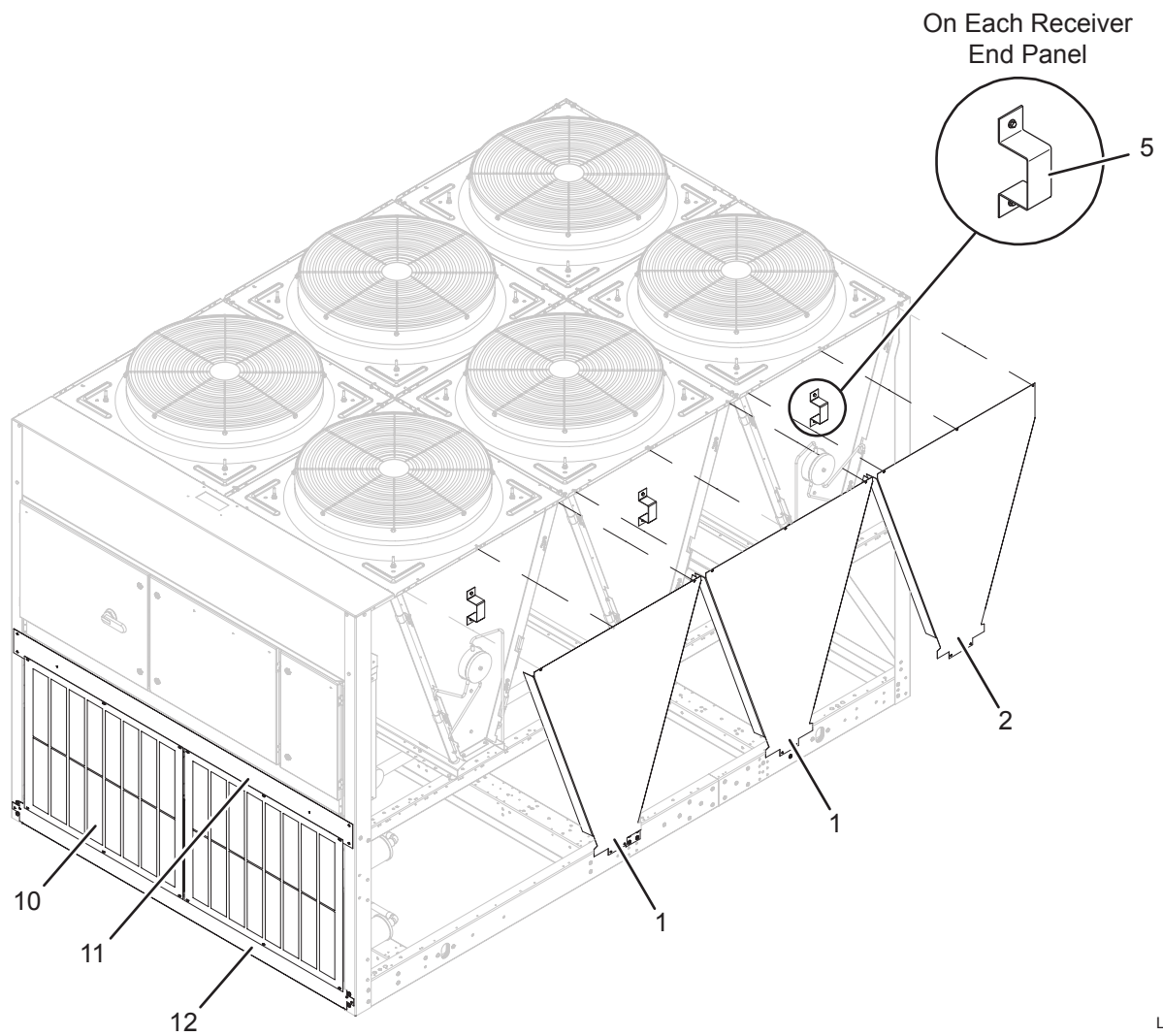
PUMP KIT	VOLTS	PIN 60 =		QUANTITY
		SINGLE PUMP PART NUMBER	DUAL PUMP PART NUMBER	
H	17	026-47089-143	026-47089-343	1
	28	026-47089-144	026-47089-344	1
	40	026-47089-145	026-47089-345	1
	46	026-47089-146	026-47089-346	1
	50	026-47089-147	026-47089-347	1
	58	026-47089-148	026-47089-348	1
I	17	026-47089-149	026-47089-349	1
	28	026-47089-150	026-47089-350	1
	40	026-47089-151	026-47089-351	1
	46	026-47089-152	026-47089-352	1
	50	—	—	—
	58	026-47089-154	026-47089-354	1
J	17	026-47089-155	026-47089-355	1
	28	026-47089-156	026-47089-356	1
	40	026-47089-157	026-47089-357	1
	46	026-47089-158	026-47089-358	1
	50	026-47089-159	026-47089-359	1
	58	026-47089-160	026-47089-360	1
K	17	026-47089-161	026-47089-361	1
	28	026-47089-162	026-47089-362	1
	40	026-47089-163	026-47089-363	1
	46	026-47089-164	026-47089-364	1
	50	026-47089-165	026-47089-365	1
	58	026-47089-166	026-47089-366	1
L	17	026-47089-167	026-47089-367	1
	28	026-47089-168	026-47089-368	1
	40	026-47089-169	026-47089-369	1
	46	026-47089-170	026-47089-370	1
	50	026-47089-171	026-47089-371	1
	58	026-47089-172	026-47089-372	1
M	17	026-47089-173	026-47089-373	1
	28	026-47089-174	026-47089-374	1
	40	026-47089-175	026-47089-375	1
	46	026-47089-176	026-47089-376	1
	50	026-47089-177	026-47089-377	1
	58	026-47089-178	026-47089-378	1
N	17	026-47089-179	026-47089-379	1
	28	026-47089-180	026-47089-380	1
	40	026-47089-181	026-47089-381	1
	46	026-47089-182	026-47089-382	1
	50	026-47089-183	026-47089-383	1
	58	026-47089-184	026-47089-384	1

TABLE 105 - PUMP SELECTION (CONT'D)

PUMP KIT	VOLTS	PIN 60 =		QUANTITY
		SINGLE PUMP PART NUMBER	DUAL PUMP PART NUMBER	
O	17	—	—	—
	28	—	—	—
	40	—	—	—
	46	—	—	—
	50	026-47089-189	026-47089-389	1
	58	—	—	—
P	17	026-47089-191	026-47089-391	1
	28	026-47089-192	026-47089-392	1
	40	026-47089-193	026-47089-393	1
	46	026-47089-194	026-47089-394	1
	50	—	—	—
	58	026-47089-196	026-47089-396	1
R	17	026-47089-203	026-47089-403	1
	28	026-47089-204	026-47089-404	1
	40	026-47089-205	026-47089-405	1
	46	026-47089-206	026-47089-406	1
	50	—	—	—
	58	026-47089-208	026-47089-408	1
S	17	026-47089-209	026-47089-409	1
	28	026-47089-210	026-47089-410	1
	40	026-47089-211	026-47089-411	1
	46	026-47089-212	026-47089-412	1
	50	—	—	—
	58	026-47089-214	026-47089-414	1
T	17	026-47089-215	026-47089-415	1
	28	026-47089-216	026-47089-416	1
	40	026-47089-217	026-47089-417	1
	46	026-47089-218	026-47089-418	1
	50	—	—	—
	58	026-47089-220	026-47089-420	1
U	17	026-47089-221	026-47089-421	1
	28	026-47089-222	026-47089-422	1
	40	026-47089-223	026-47089-423	1
	46	026-47089-224	026-47089-424	1
	50	—	—	—
	58	026-47089-226	026-47089-426	1
V	17	026-47089-197	026-47089-397	1
	28	026-47089-198	026-47089-398	1
	40	026-47089-199	026-47089-399	1
	46	026-47089-200	026-47089-400	1
	50	—	—	—
	58	026-47089-202	026-47089-402	1

TABLE 106 - AESTHETIC PANEL

ITEM	DESCRIPTION	PART NUMBER	SAP NUMBER	FIGURE
1	Aesthetic Vee Panel	075-83175-000	434009	81, 82
2	Aesthetic Vee Panel Right	075-83844-000	759171	81, 82
3	Aesthetic Vee Panel Left	075-83844-001	759172	81, 82
4	Bracket Louver	075-77929-012	434011	81, 82
5	Bracket Louver	075-77929-013	434010	82
10	Panel Enclosure	075-75918-004	447357	82
11	Support Grill/Louver	075-75047-022	438427	82
12	Support Grill/Louver	075-75047-019	438429	82



LD16787

FIGURE 81 - AESTHETIC PANEL

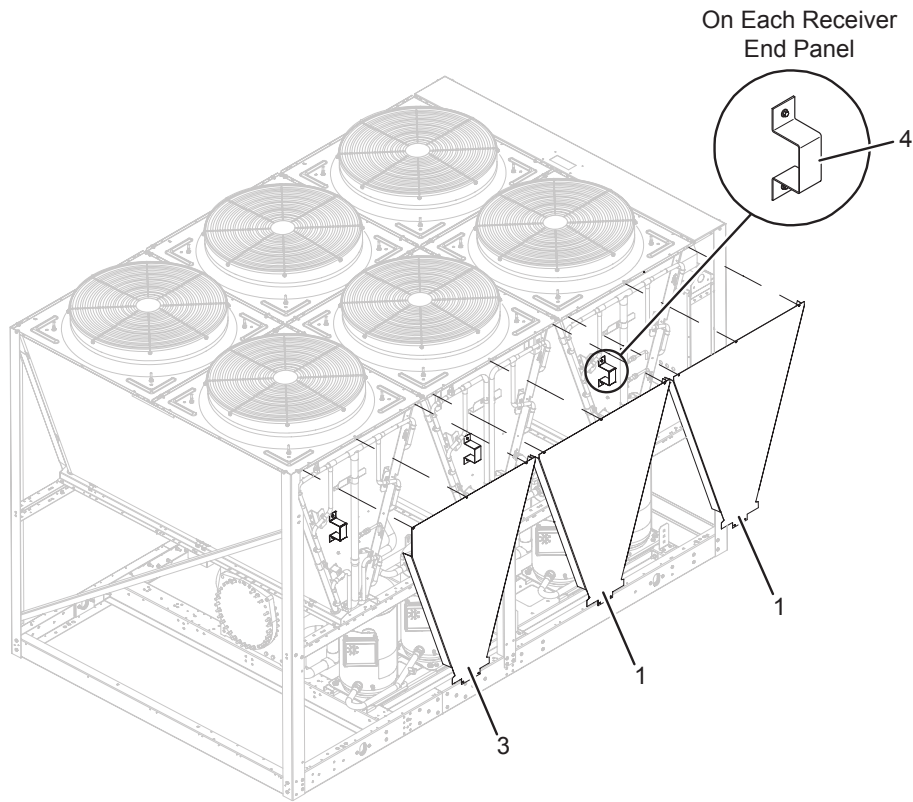


FIGURE 82 - AESTHETIC PANEL

TABLE 107 - KEYPAD OVERLAYS

DESCRIPTION	PART NUMBER	SAP NUMBER
Overlay, Keypad (English)	035-21911-000	745371
Overlay, Keypad (Spanish)	035-21911-050	840788

TABLE 108 - E-LINK KIT

DESCRIPTION	PART NUMBER	SAP NUMBER
E-Link Kit (LON)	375-83069-000	795384
E-Link W/Serial Ports (LON)	025-44384-000	740489
E-Link IPU-II Installation Kit	025-44659-000	740575
SC-Equip Kit	392-41230-001	5196693
SC-EQ Board	031-03610-000	5161465

TABLE 109 - VIBRATION ISOLATORS PART NUMBERS

NEOPRENE ISOLATOR CROSS REFERENCE (PIN 54 = N)				
**WEIGHT RANGE (LBS.)	WEIGHT RANGE (KG.)	MODEL PART NUMBER	COLOR	YORK PART NUMBER
Up to 826 lbs.	Up to 375 kg.	RD-3	CHARCOAL	029-25335-001
826 to 1689 lbs.	375 to 766 kg.	RD-4	BRICK RED	029-25335-002
1689 to ***4000 lbs.	766 to 1814 kg.	RD-4	CHARCOAL	029-25335-004
ONE INCH DEFLECTION SPRING ISOLATOR CROSS REFERENCE* (PIN 54 = 1) SEE NOTE BELOW				
*WEIGHT RANGE (LBS.)	WEIGHT RANGE (KG.)	MODEL PART NUMBER	COLOR	YORK PART NUMBER
Up to 435 lbs.	Up to 197 kg.	CP-1D-510	BLACK	029-25334-002
435 to 766 lbs.	197 to 347 kg.	CP-1D-900	DARK GREEN	029-25334-003
766 to 1021 lbs.	347 to 463 kg.	CP-1D-1200	GRAY	029-25334-004
1021 to 1157 lbs.	463 to 525 kg.	CP-1D-1360	WHITE	029-25334-005
1157 to ***1785 lbs.	525 to 810 kg.	CP-1D-1785N	GRAY/RED	029-25334-006
Up to 1149 lbs.	Up to 521 kg.	C2P-1D-1350	DARK PURPLE	029-25334-008
1149 to 1531 lbs.	521 to 694 kg.	C2P-1D-1800	DARK GREEN	029-25334-009
1531 to 2041 lbs.	694 to 926 kg.	C2P-1D-2400	GRAY	029-25334-010
2041 to 2313 lbs.	926 to 1049 kg.	C2P-1D-2720	WHITE	029-25334-012
2313 to ***3570 lbs.	1049 to 1619 kg.	C2P-1D-3570N	GRAY/ RED	029-25334-013
TWO INCH DEFLECTION, SEISMIC SPRING ISOLATOR CROSS REFERENCE (PIN 54 = S)				
*WEIGHT RANGE (LBS.)	WEIGHT RANGE (KG.)	MODEL PART NUMBER	COLOR	YORK PART NUMBER
Up to 392 lbs.	Up to 178 kg.	Y2RSI-2D-460	GREEN	029-25336-006
392 to 605 lbs.	178 to 274 kg.	Y2RSI-2D-710	DARK BROWN	029-25336-008
605 to 741 lbs.	274 to 336 kg.	Y2RSI-2D-870	RED	029-25336-009
741 to 1021 lbs.	336 to 463 kg.	Y2RSI-2D-1200N	RED/BLACK	029-25336-010
1021 to 1438 lbs.	463 to 652 kg.	Y2RSI-2D-1690	PINK	029-25336-011
1438 to 2245 lbs.	652 to 1018 kg.	Y2RSI-2D-2640N	PINK/GRAY	029-25336-012
2245 to 2619 lbs.	1018 to 1188 kg.	Y2RSI-2D-2870N	PINK/GRAY/ORANGE	029-25336-013
2619 to ***3740 lbs.	1188 to 1697 kg.	Y2RSI-2D-3280N	PINK/GRAY/DARK BROWN	029-25336-014

* Value is de-rated by 15%.

** Value is de-rated by 25%.

*** Value is not de-rated.

Note: One Inch Deflection Spring Isolators must all be of the same class for the entire unit.
Must use C2P's at all locations on a selected unit, or all CP's.

TABLE 110 - FIELD INSTALLED OPTIONS PART NUMBERS

YLA A	CHICAGO RELIEF VALVE	DISPERSION FLOW SWITCH		SINGLE FLOW SWITCH (SHIPPED LOOSE)	VICTAULIC FLANGE KIT		ACOUSTIC SOUND BLANKET KIT
		Pin 44 = W	Pin 44 = G		Pin 41 = S	Pin 59 = X	
	022-10682						010-06507
58	**	025-43553-001	025-43553-000	024-39397-001	023-19047-000	023-19047-000	-010
65	**						
70	**						
80							
81							
89							
92							
100							
101							
115							
120							
125							
136	-001						
142							
150							
155							
156							
170							
175							
200							
230							
					023-19048-000	023-19048-000	-012
					023-26816-000	023-26816-000	-008

**Chicago Code Requirements are met with standard relief.

YLA A	HOTGAS BY-PASS SOLENOID VALVE W/ HARNESS					
	MODEL	Pin 32 = X		Pin 32 = E		
		392-18510	392-19930	392-18510	392-19930	392-14451
58	-008	N/A	-011	N/A	N/A	N/A
65	-009		-012			
70			-006			
80	-000		-007			
81	-014		-014			
89	-000		-007			
92		-002				
100			-003			
101						
115						
120						
125					-051	
136					-053	
142	N/A	N/A	N/A		-054	
150						
155						
156				N/A	-052	
170						
175						
200					N/A	
230						-000

TABLE 111 - CONTROL TRANSFORMER

DESCRIPTION	MODEL	VOLTAGE	KIT PART NUMBER	TRANSFORMER ONLY
Kit, Control Trans 200/3/60	YLAA0058 - YLAA0230	17	392-07708-001	025-34493-000
		28	392-07708-002	025-37605-000
		40	392-07708-003	025-34493-000
		46	392-07708-004	025-37605-000
		58	392-07708-005	025-37633-000

TABLE 112 - CONSUMABLES

DESCRIPTION	PART NUMBER	SAP NUMBER
Adhesive Scotch Grip 1357	013-02297-000	616579
Compound Heat Conductive 4oz	013-00898-000	616572
Insulation Thermal 3/4" Thick	010-05997-000	728830
Insulation Thermal 4-1/2 Id X 1/2	010-03686-000	728790
Insulation Armaflex 1 3/8 Tube	010-00012-000	728971
Insulation Thermal 3-1/2 Id X 1/2	010-07731-000	728853
Tape Electric Insulation 3/4 Wide	025-15093-000	686102
Tape, Corrosion Protection	025-40318-000	739789
Thermal Insulation Tape	010-06553-000	728847
Thermal Insulation Sheet	010-06548-000	728846

TABLE 113 - RECOMMENDED SPARES

DESCRIPTION	PIN OPTION	PART NUMBER	SAP
Fan Motor, Standard	(PIN 11,12) -17	024-27322-103	735401
	(PIN 11,12) -28	024-27322-106	735403
	(PIN 11,12) -40	024-27322-104	735402
	(PIN 11,12) -46	024-27322-107	735404
	(PIN 11,12) -58	024-27322-102	735400
Fan Motor, Low Noise	(PIN 11,12) -17	024-34980-102	736129
	(PIN 11,12) -28		
	(PIN 11,12) -40	024-34980-105	736132
	(PIN 11,12) -46	024-34980-101	736128
	(PIN 11,12) -58	024-34980-103	736130
Fan Blade, Standard	-	026-41594-000	741043
Fan Blade, Low Noise	-	026-41592-000	741042
Valve, Thermal Expansion (YLAA0070-YLAA0090)	(PIN 29,30) >10	025-42426-025	520120
	(PIN 29,30) >30	025-40681-000	739877
Valve, Thermal Expansion (YLAA0091)	(PIN 29,30) >10	025-42426-025	520120
Valve, Thermal Expansion (YLAA0100-YLAA0120)	(PIN 29,30) >10	025-42426-050	516656
Valve, Thermal Expansion (YLAA0091-YLAA0101)	(PIN 29,30) >30	025-40681-000	739877
Valve, Thermal Expansion (YLAA0115-YLAA0120)	(PIN 29,30) >30	025-41743-000	740010
Core, Dehydrator	-	026-37540-000	740964
Micro, I/O Kit	-	331-02550-101	406668
Flashcard	-	031-02755-004	744085
Sensor, Outside Air Temperature	-	025-47688-000	5167777
Sensor, Entering Water Temperature	-	025-47671-000	5167564
Sensor, Leaving Water Temperature	-	025-47671-000	5167564
Transducer, Suction Pressure (0-400psi)	-	025-41756-002	392054
Transducer, Discharge Pressure (0-650psi)	-	025-41756-003	392055
Compressor Oil Bitzel, PVE (1-quart container)	-	011-00981-000	729008
Compressor Oil Bitzel, PVE (5-gallon container)	-	011-00982-000	729009
Compressor Oil Copeland, Type "V", 6-1 gallon	-	011-00948-000	62387
Compressor Oil Copeland, Type "V", 5 gallon	-	011-00949-000	729001

NOTE: Use PVE oil only for Bitzel compressor and Type "V" oil only for Copeland compressor.

The following factors can be used to convert from imperial (English) to the most common SI Metric values.

TABLE 114 - SI METRIC CONVERSION

MEASUREMENT	MULTIPLY IMPERIAL UNIT	BY FACTOR	TO OBTAIN METRIC UNIT
Capacity	Tons Refrigerant Effect (ton)	3.516	Kilowatts (kW)
Power	Horsepower	0.7457	Kilowatts (kW)
Flow Rate	Gallons / Minute (gpm)	0.0631	Liters / Second (l/s)
Length	Feet (ft)	0.3048	Meters (m)
	Inches (in)	25.4	Millimeters (mm)
Weight	Pounds (lbs)	0.4536	Kilograms (kg)
Velocity	Feet / Second (fps)	0.3048	Meters / Second (m/s)
Pressure Drop	Feet of Water (ft)	2.989	Kilopascals (kPa)
	Pounds / Square Inch (psi)	6.895	Kilopascals (kPa)

TEMPERATURE

To convert degrees Fahrenheit (°F) to degrees Celsius (°C), subtract 32° and multiply by 5/9 or 0.5556.

Example: $(45.0^{\circ}\text{F} - 32^{\circ}) \times 0.5556 = 7.22^{\circ}\text{C}$

To convert a temperature range (i.e., a range of 10°F) from Fahrenheit to Celsius, multiply by 5/9 or 0.5556.

Example: $10.0^{\circ}\text{F range} \times 0.5556 = 5.6^{\circ}\text{C range}$



5000 Renaissance Drive, New Freedom, Pennsylvania USA 17349
Copyright © by Johnson Controls 2018
Form 150.72-RP6 (1018)
Issue Date: October 10, 2018
Supersedes: 150.72-RP6 (118)

1-800-524-1330
www.johnsoncontrols.com

Subject to change without notice. Printed in USA
ALL RIGHTS RESERVED