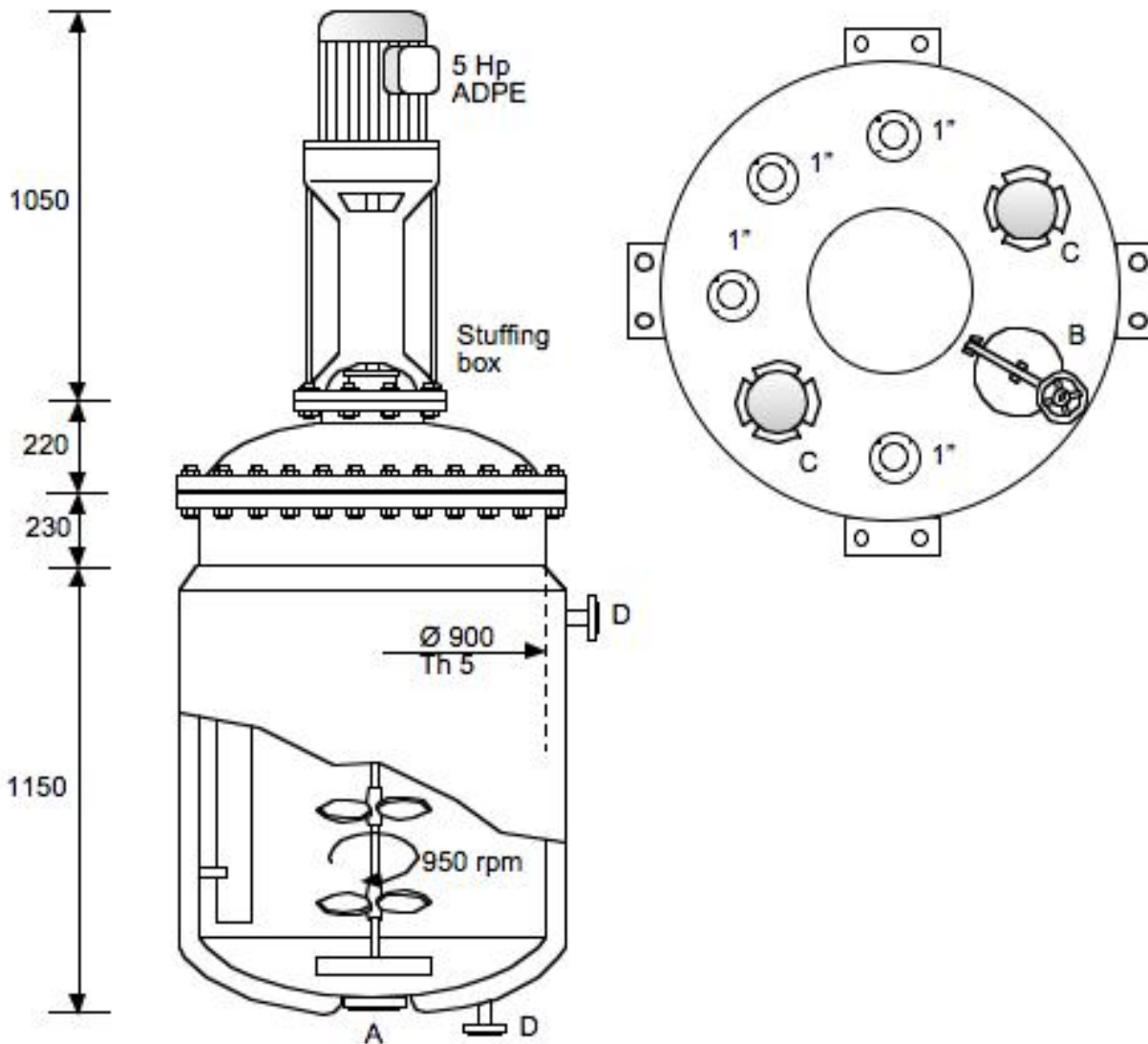


# COPRINOX

## AGITATED VESSEL

Code n° **RAJ 009 0002**

Location ref: 91 C1

CAPACITY LITERS **900**

SHELL SIDE

JACKET/COIL SIDE

Design Pressure KG/cm2  
Design Temperature °C  
Material

AISI 316

Carbon Steel

ANCC or ISPESL certification: **NOT**  
Availability in stock n° **01** units

## NOZZLE DIMENSIONS

Pos	Service	Size inch.
A	Product outlet	1"1/4
B	Hand hole	5"
C	Sight glass	3"
D	Heating medium in-out	1"1/2
E		

MANUFACTURER: **F.B.M.** USED  
 USED RECONDITIONED  
 UNUSED**NOTE** Damaged JacketWEIGHT (approx) Kg **600**