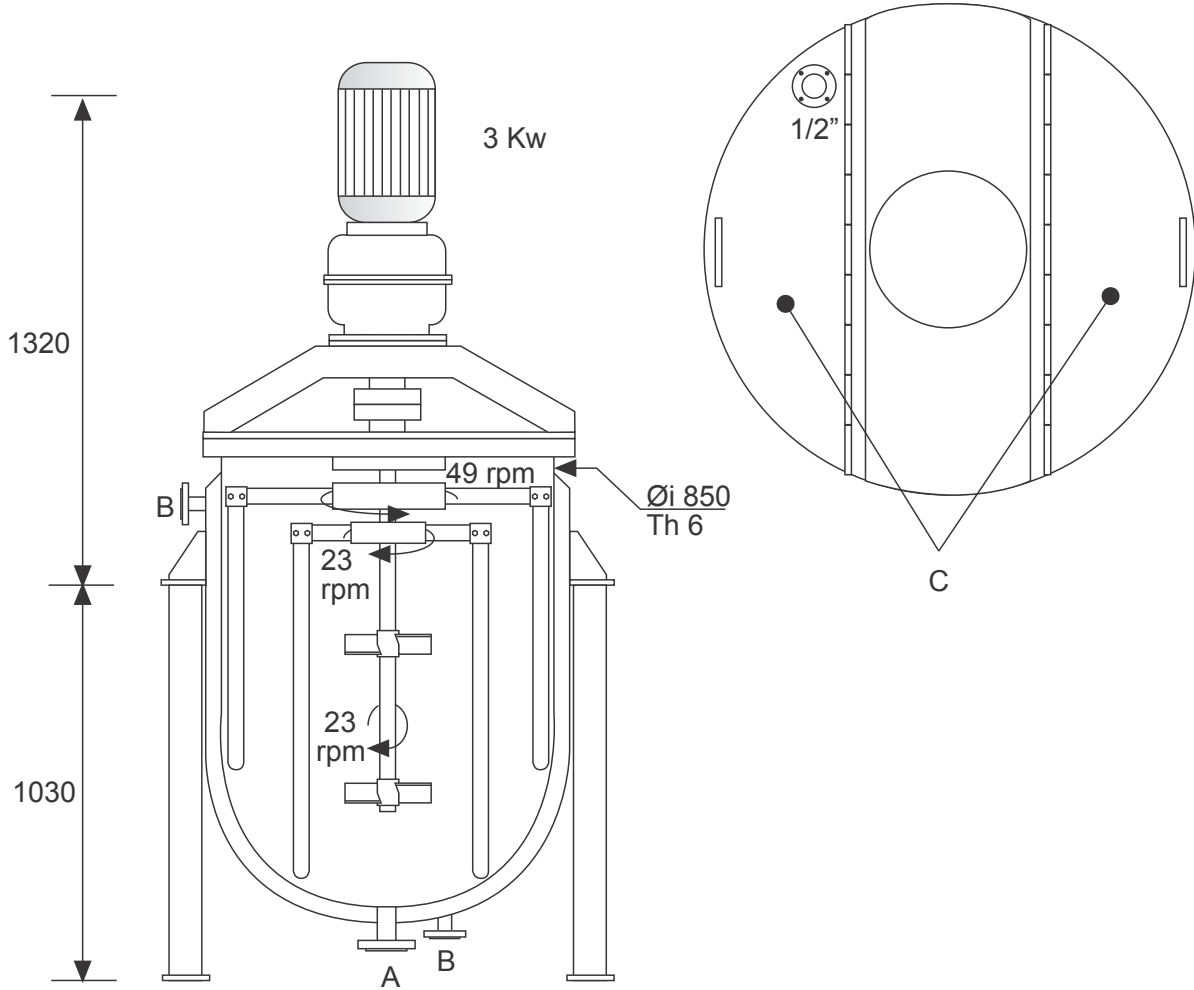


# COPRINOX

## AGITATED VESSEL

Code n° **RAJ 005 0116**

Location ref: 90 T2



<b>CAPACITY LITERS</b> _____ <b>500</b> _____	<b>SHELL SIDE</b>	<b>JACKET/COIL SIDE</b>	
Design Pressure KG/cm2 Design Temperature °C Material	ATM		
	AISI 316	Carbon Steel	
ANCC or ISPESL certification: _____ <b>NOT</b> _____ Availability in stock n° _____ <b>01</b> _____ units	<b>NOZZLE DIMENSIONS</b>		
<b>MANUFACTURER:</b> _____ <b>FBM</b> _____	<b>Pos</b>	<b>Service</b>	<b>Size inch.</b>
<input checked="" type="checkbox"/> <b>USED</b> <input type="checkbox"/> <b>USED RECONDITIONED</b> <input type="checkbox"/> <b>UNUSED</b>	<b>A</b>	Product outlet	1"1/2
	<b>B</b>	Heating medium in-out	1"
	<b>C</b>	Product inlet	
	<b>D</b>		
	<b>E</b>		
<b>WEIGHT (approx) Kg</b> _____ <b>550</b> _____	<b>NOTE</b> INTERNAL PARTS POLISH MIRROR		