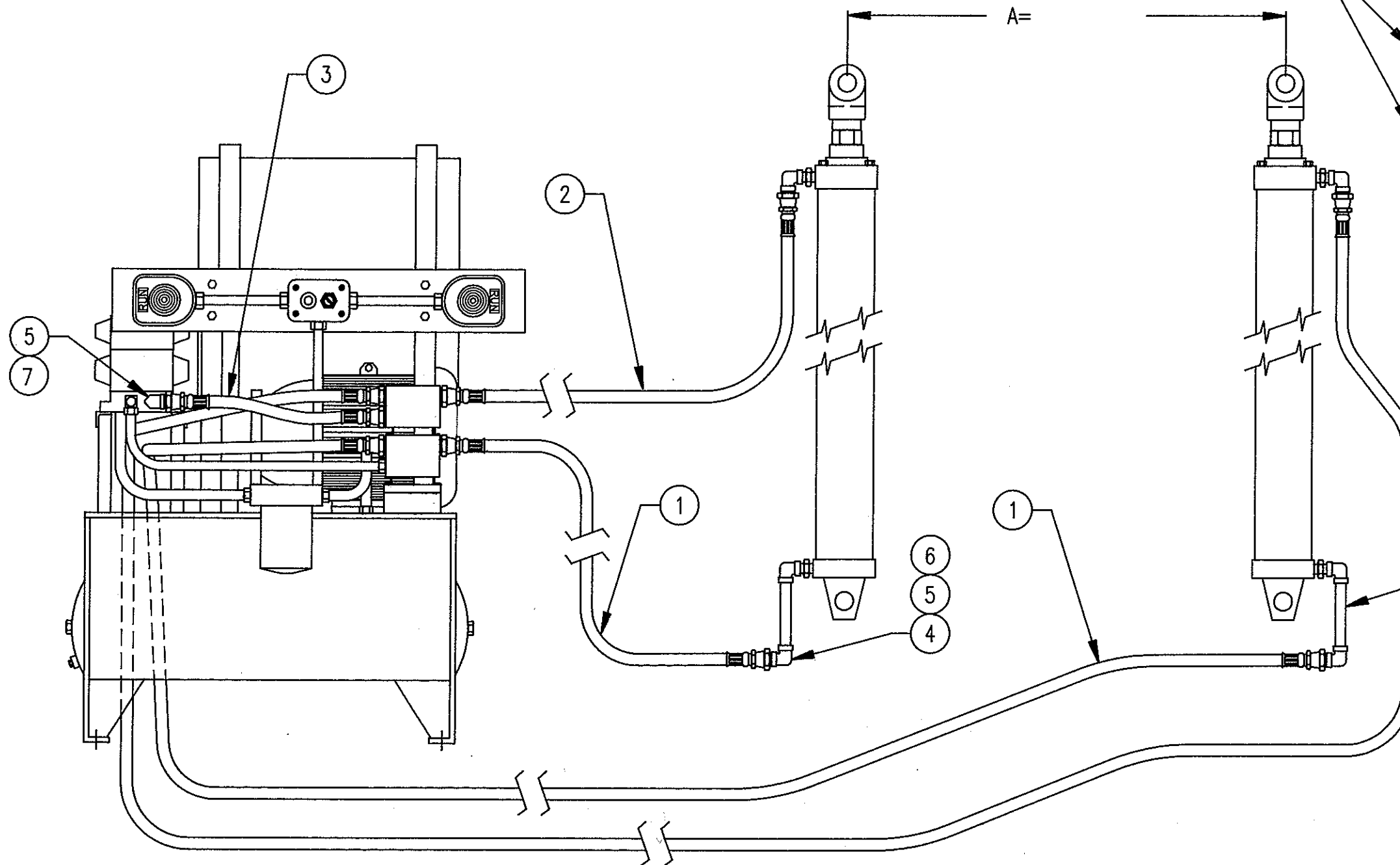


ASSY. DWG. REF. DWG.

NOTE: ALL HOSES TO HAVE MALE ENDS



ITEM	QUAN.	DESCRIPTION	MATERIAL
1	2	3/4" I.D. HOSE 1/2" N.P.T. ONE END, 3/4" N.P.T. OTHER END (SWIVEL FITTINGS BOTH ENDS)	
2	2	3/4" I.D. HOSE 1/2" N.P.T. ONE END, 3/4" N.P.T. OTHER END (SWIVEL FITTINGS BOTH ENDS)	
3	1	3/4" I.D. HOSE 3/4" N.P.T. EA. END (SWIVEL FITTINGS BOTH ENDS) 22 1/2" LG.	
4	4	3/4" N.P.T. NIPPLE 2" LONG	
5	7	3/4" N.P.T. FEMALE ELBOW	
6	2	3/4" N.P.T. NIPPLE 7" LONG	
7	1	3/4" STRAIGHT PIPE TO 3/4" N.P.T. ADAPTER #6401 12-12	
8	2	1/2" N.P.T. NIPPLE 1 1/2" LONG	
9	2	1/2" N.P.T. NIPPLE 3" LONG	
10	4	1/2" N.P.T. FEMALE ELBOW	

NOTE: ALL HOSES & FITTINGS TO BE 3000 P.S.I. WORKING PRESSURE

F.O.#	A=	LENGTH ITEM 1 (A + 64")	LENGTH ITEM 2 (A + 174")

F.O.#	A=	LENGTH ITEM 1 (A + 64")	LENGTH ITEM 2 (A + 174")
17049	115 1/4"	179"	289"
16349	129 1/4"	183"	303"
15546	114"	168"	288"

ORIGINAL

ITEM 1 WAS	DESCRIPTION	REVISION
6-90	A + 54"	
NO.	DATE	
1		

PART	DWG. NO.	DESCRIPTION
MIAMI MACHINE CORP. OVERPECK, OHIO 45055		
TITLE		
ROLL SPLITTER PIPING DIAGRAM		
<small>THIS DRAWING, ITS PRINTS AND ALL PARTS THEREOF ARE AND SHALL REMAIN THE PROPERTY OF THE MIAMI MACHINE CORP. AND MAY NOT BE REPRODUCED OR USED FOR ANY PURPOSE WITHOUT ITS WRITTEN CONSENT.</small>		
<small>TOLERANCES, EXCEPT OTHERWISE NOTED: FRACT. & 2 DECIM. PLACES ± .02" 3 DECIM. PLACES ± .005" ANGULAR ± 1/2°</small>		
SCALE	BY	DATE
NONE	S.R.P.	FEB. 90
DWG. NO.		B15-001-B