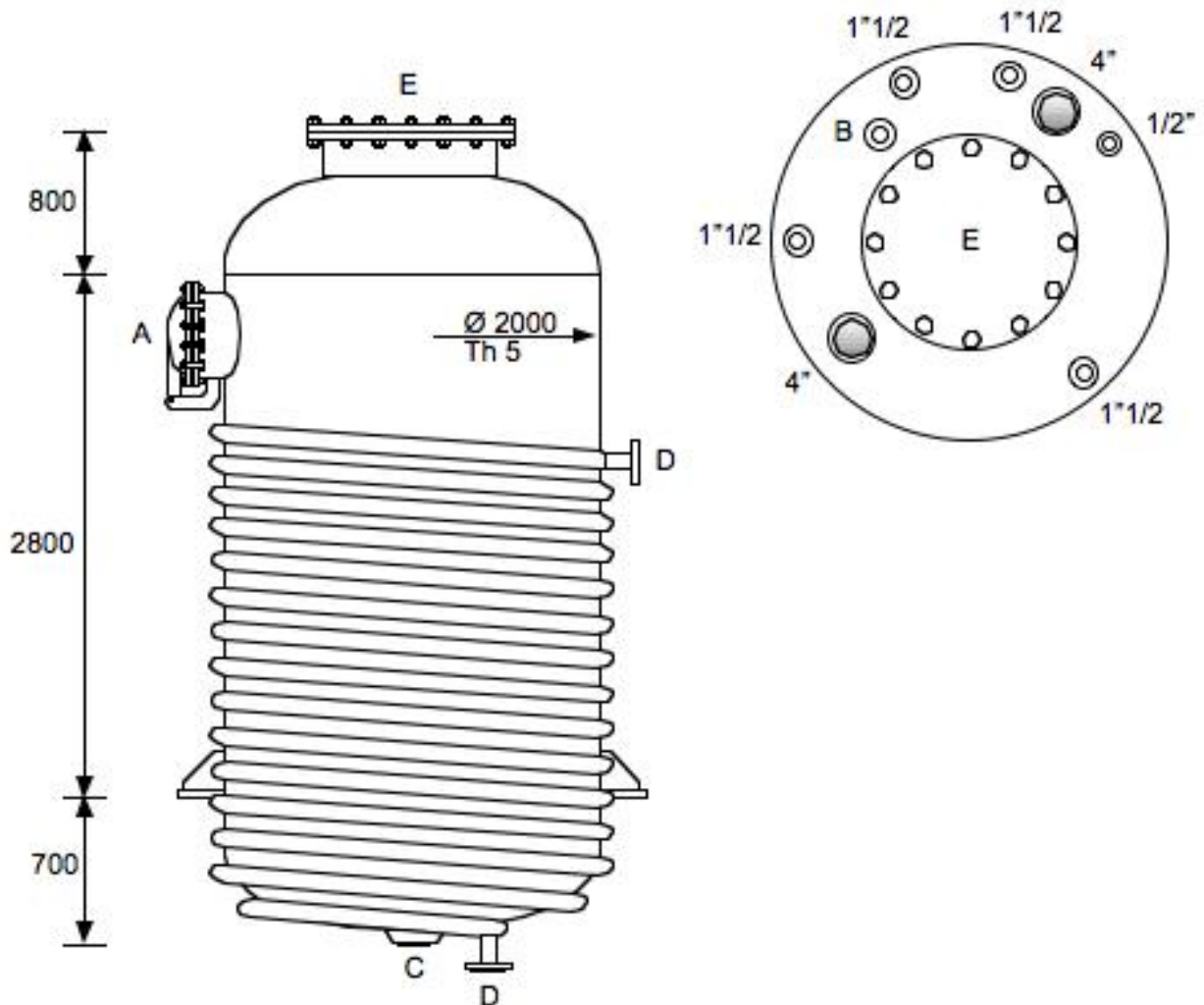


COPRINOX

VESSEL

Code n° VVS 110 1482

Location ref: 91 B1

CAPACITY LITERS 11.000

SHELL SIDE

JACKET/COIL SIDE

Design Pressure KG/cm²
Design Temperature °C
Material

150°

AISI 304

6

150°

AISI 304

ANCC or ISPESL certification: NOT
Availability in stock n° 01 units

NOZZLE DIMENSIONS

Pos	Service	Size inch.
A	Man hole	18"
B	Product inlet	4"
C	Product outlet	2"
D	Heating medium in-out	1"1/2
E	Stirrer nozzle	26"

MANUFACTURER _____

- USED
 USED RECONDITIONED
 UNUSED

NOTE _____

WEIGHT (approx) Kg 4200