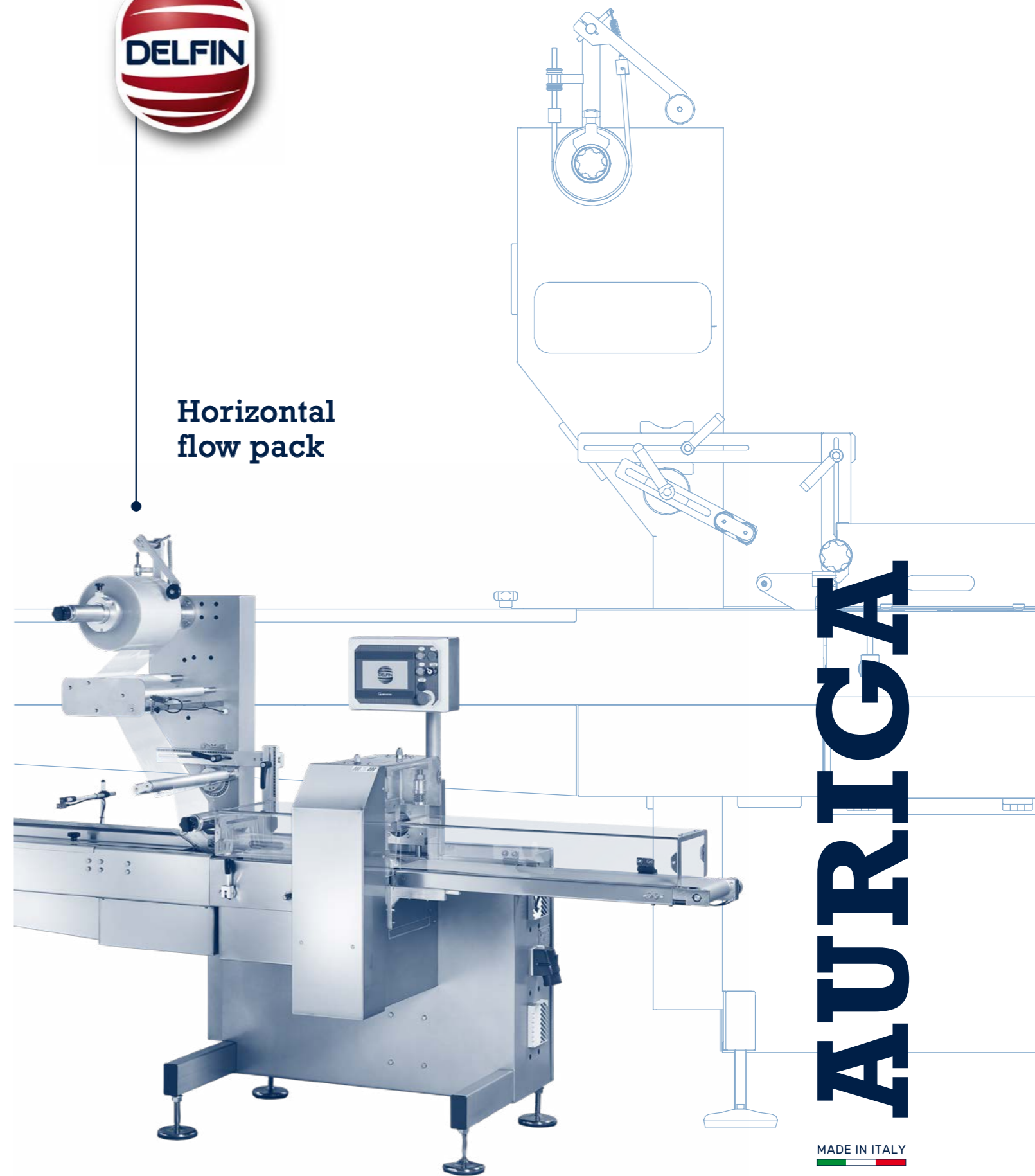




Horizontal
flow pack



AURIGA

MADE IN ITALY

The information contained in this brochure is purely indicative and we therefore reserve the right to change without notice



Delfin srl
Via G. Keplero, 18
36034 Malo, VI - Italy

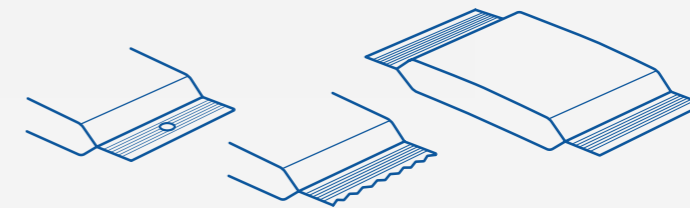
+39 0445 58 06 88
info@delfin.it
www.delfin.it



Flow pack AURIGA



- RAL 9006 grey painted steel frame with AISI 304 stainless steel guards;
- Longitudinal sealing unit consisting of three pairs of wheels: pulling, welding and folding flap;
- Rotary transversal sealing unit with one or multiple 240 mm wide up jaws;
- One self reel holder centering;
- Adjustable or fixed forming box;
- Photocell for printed film;
- Standard spare parts kit;
- Safety guards in transparent shockproof plastic material.



← Type of packaging

Product length	min 50 mm	max 520 mm
Product width	min 10 mm	max 220 mm
Product height	min 1 mm	max 100 mm
Reel holder width	500 mm	
Mechanical speed	min 60	max 120
Weight	550 kg	
Power supply	3,5 Kw	

- Motorization by means of 3 independent Brushless motors
- Mechanical speed 120 rpm
- Voltage 400V / 3 phase Earth + Neutral, 50Hz
- Machine conforms to CE regulations

