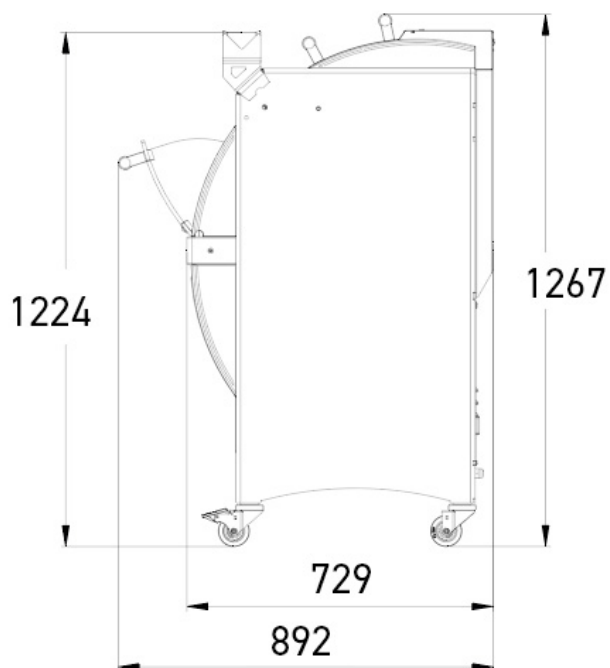


NEW SELF

- ✓ Maximum safety due to the double cover being locked during during the cutting cycle
- ✓ Removable, ergonomic crumb collector
- ✓ Automatic cutting cycle for simplicity of use
- ✓ Easy users guide
- ✓ Front bumper to protect the machine



SPECIFICATIONS

Max. loaf dimensions in cm (L x W x H)	44 x 31 x 16
Motor power in kW	0.49
Net weight (in kg)	210
Blade type and dimensions in mm	Steel 13 x 0.5
Intelligent Slicing Concept (JAC patent)	•
JAC FIX	•

Finition



TECHNICAL SPECIFICATIONS

Slice thickness in mm	9,10,11,12,13,14,15,16,17,18
Loaf pusher height	Extra low (50mm),Low (80mm),High (100mm)
Power supply	230V single phase ,230V three-phase ,400V three-phase
Options (Additional cost)	Heavy duty motor, Users explanatory notice, Double slice thickness, Daily adding counter, Special blades, Bag closing device with tape

MAIN STRENGTHS



Front safety cover

Locked during the slicing process for maximum safety.



Rear safety cover

Closing it initiates the slicing process and it remains mechanically and electrically locked during cutting.



Jacfix

Holds the loaf together for easier handling at the exit of the slicer.



ISC®

Intelligent Slicing Control (JAC patent) is an automatic pressure and slicing speed control system. It adapts the cutting action according to the consistency of the bread. No manual setting needed.