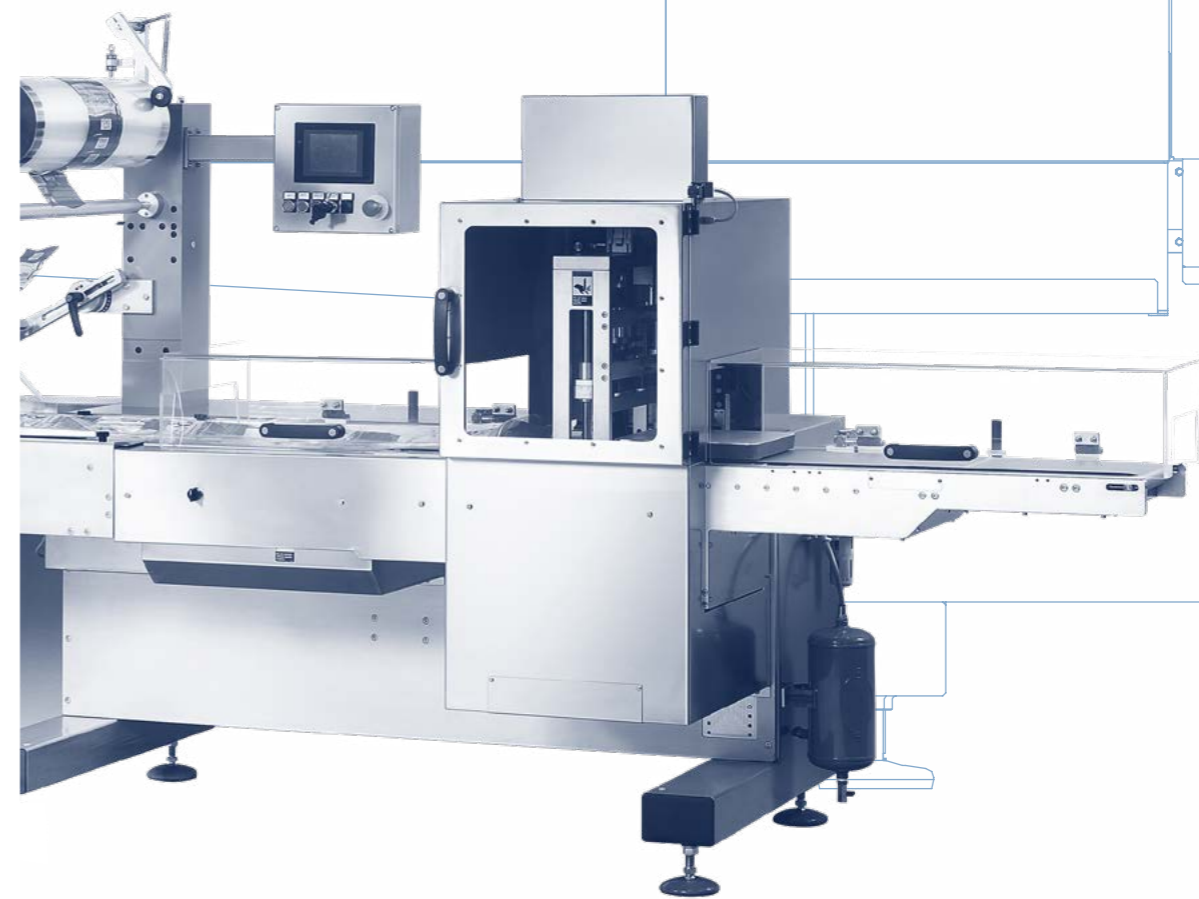


**Horizontal  
flow pack**



**VELLA**

MADE IN ITALY

The information contained in this brochure is purely indicative and we therefore reserve the right to change without notice



**Delfin srl**  
Via G. Keplero, 18  
36034 Malo, VI - Italy

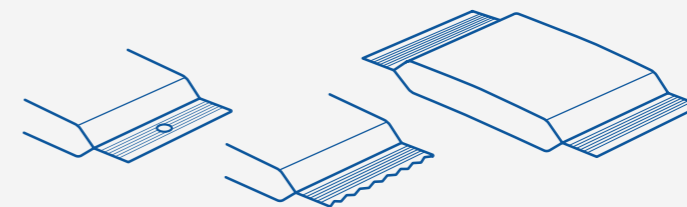
+39 0445 58 06 88  
info@delfin.it  
www.delfin.it



# Flow pack VELA



- RAL 9006 grey painted steel frame with AISI 304 stainless steel guards;
- Longitudinal sealing unit consisting of 3 pairs of wheels: pulling and welding;
- Transversal sealing unit with "box-motion" movement and PNEUMATIC closing of 300 mm wide jaws;
- One self reel holder centering in upper position;
- Microswitch for end of film;
- Adjustable or fixed forming box;
- Photocell for printed film;
- Standard spare parts kit;
- Safety guards in transparent shockproof plastic material.



← Type of packaging

<b>Product length</b>	min 50 mm	max 1200 mm
<b>Product width</b>	min 10 mm	max 280 mm
<b>Product height</b>	min 1 mm	max 120 mm
<b>Reel holder width</b>	max 600 mm on demand 700 mm	
<b>Mechanical speed</b>	min 10	max 45
<b>Weight</b>	890 kg	
<b>Power supply</b>	5 Kw	

- ⚙️ Motorization by means of **3 independent Brushless motors**
- ⌚ **Mechanical speed** 45 rpm
- ⚡ **Voltage** 400V / 3 phase Earth + Neutral, 50Hz
- CE Machine conforms to CE regulations

