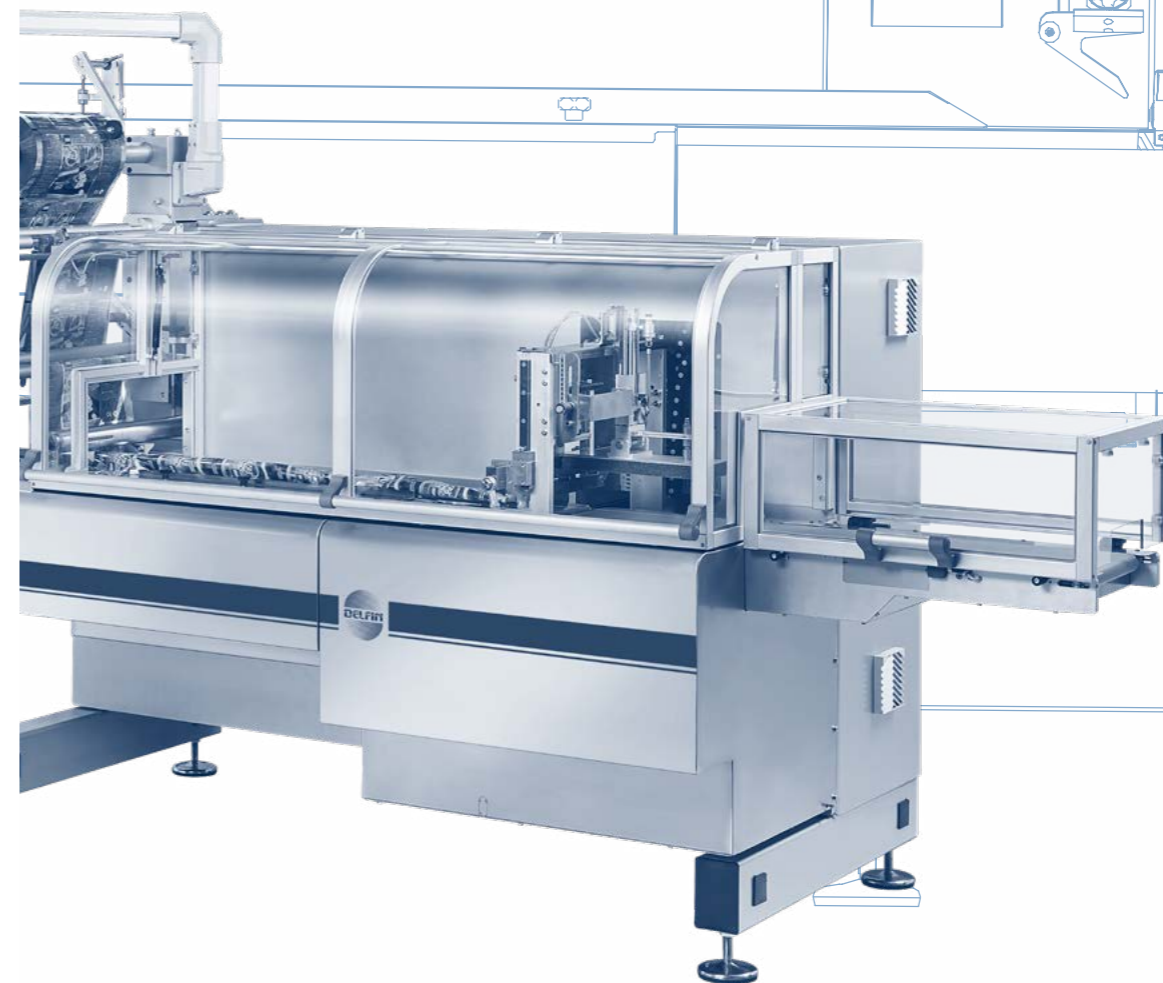
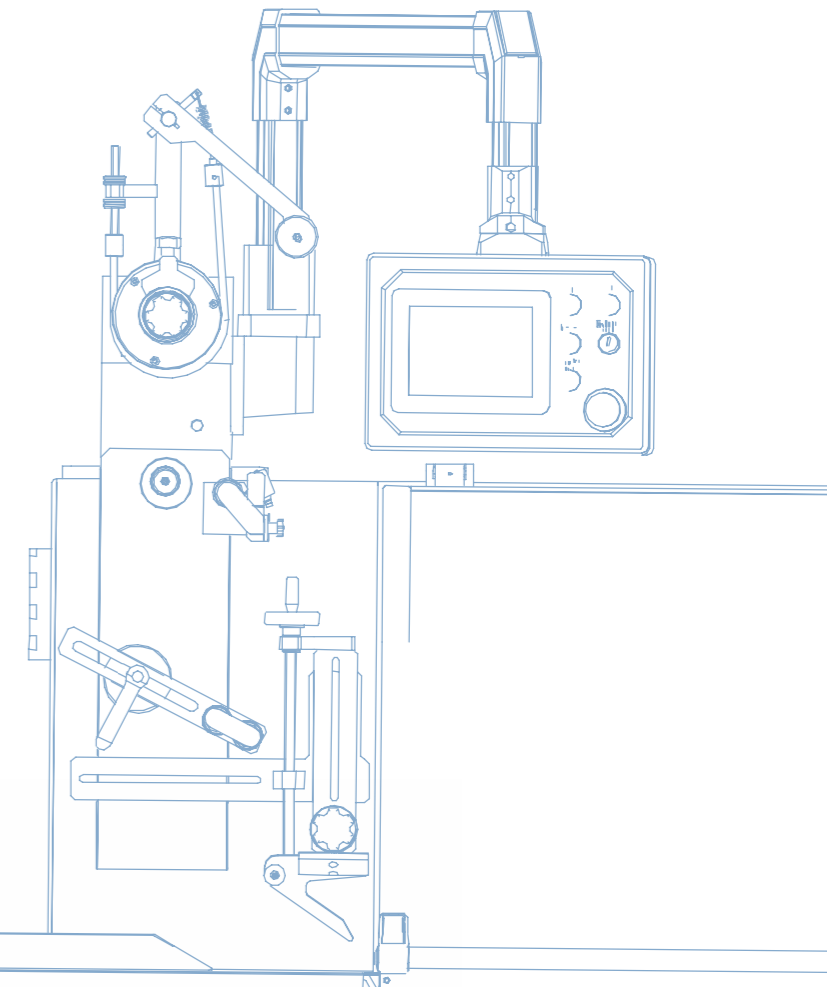




**Horizontal
flow pack**



VITRO

MADE IN ITALY

The information contained in this brochure is purely indicative and we therefore reserve the right to change without notice



Delfin srl
Via G. Keplero, 18
36034 Malo, VI - Italy

+39 0445 58 06 88
info@delfin.it
www.delfin.it



Flow pack VIRO



7" color touch screen

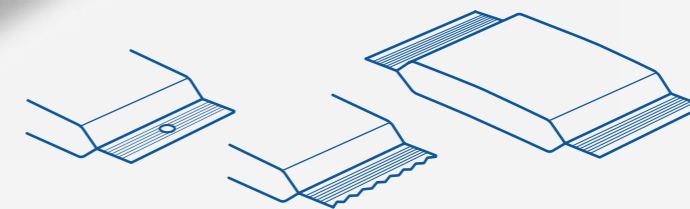
Reel holder width 600 mm standard

Safety guards in transparent shockproof plastic material

Infeed loading conveyor 2600 mm long

Outfeed conveyor 1000 mm long

- RAL 9006 grey painted steel frame with AISI 304 stainless steel guards;
- Longitudinal sealing unit consisting of 3 pairs of wheels: pulling, pre-heating, sealing and flap folding;
- Transversal sealing unit with "box motion" movement closing of 300 mm wide jaws (350 mm on request);
- Microswitch for end of film;
- One pneumatic reel holder in upper position;
- Motorized rubber-coated film driving roller;
- Adjustable or fixed forming tunnel;
- Photocell for printed film;
- Standard spare parts kit.



← Type of packaging

Product length	min 50 mm	max 1200 mm
Product width	min 10 mm	max 300 mm
Product height	min 1 mm	max 200 mm
Reel holder width	max 600 mm on request 700 and 800 mm	
Mechanical speed	min 10	max 60
Weight	950 kg	
Power supply	6 Kw	

- Motorization by means of 4 independent Brushless motors
- Mechanical speed 60 rpm
- Voltage 400V / 3 phase Earth + Neutral, 50Hz
- Machine conforms to CE regulations

