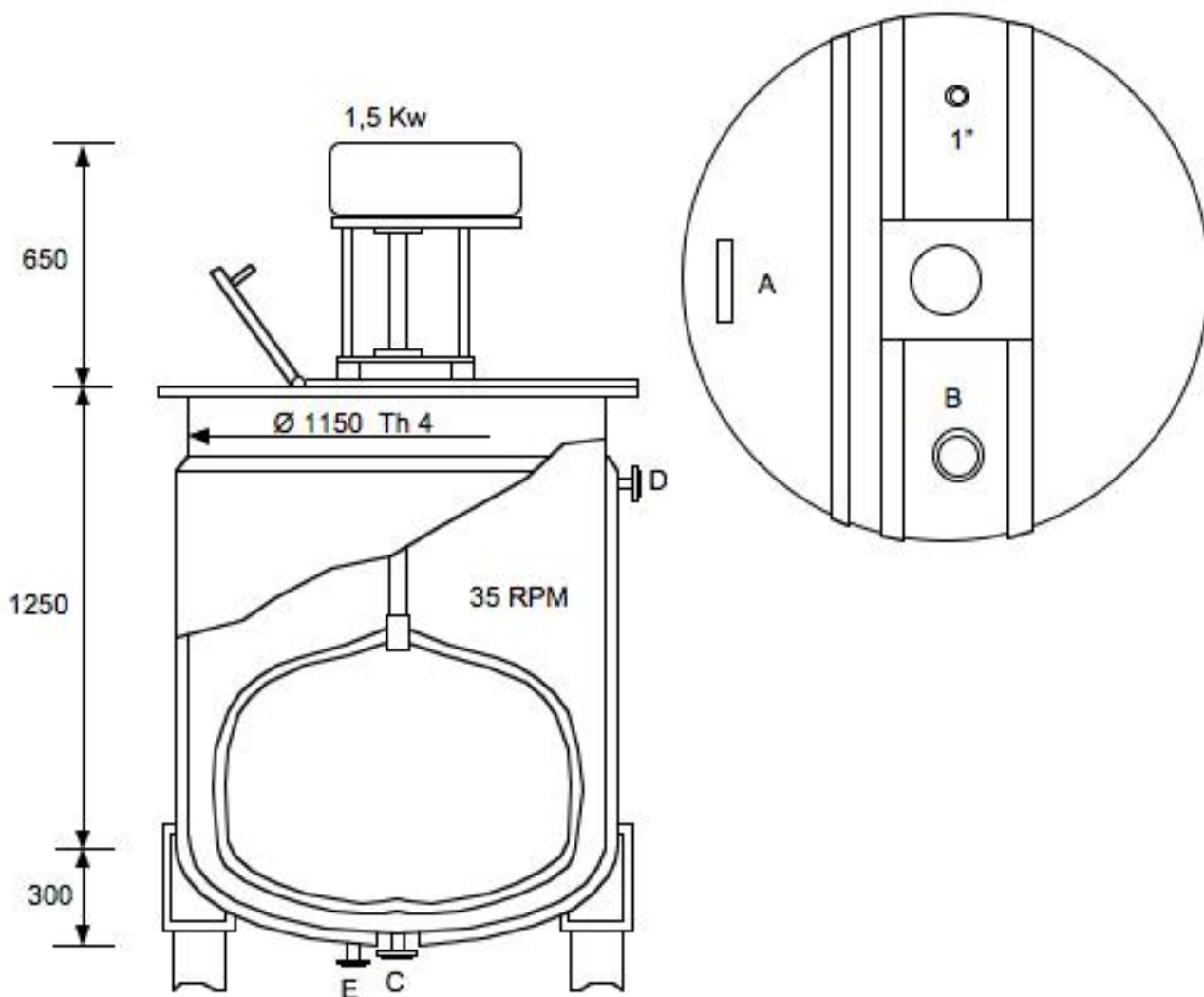


COPRINOX

AGITATED VESSEL

Code n° **RAJ 013 1049**

Location ref: 97 C2



CAPACITY LITERS <u>1.350</u>	SHELL SIDE	JACKET/COIL SIDE	
Design Pressure KG/cm2 Design Temperature °C Material	AISI 316	Carbon Steel	
ANCC or ISPESL certification: <u>NOT</u> Availability in stock n° <u>02</u> units	NOZZLE DIMENSIONS		
MANUFACTURER: _____	Pos	Service	Size inch.
<input checked="" type="checkbox"/> USED <input type="checkbox"/> USED RECONDITIONED <input type="checkbox"/> UNUSED	A	Cover	
WEIGHT (approx) Kg <u>800</u>	B	Product inlet	3"
	C	Product outlet	1"1/4
	D	Heating medium in-out	1"1/2
	E	Heating medium in-out	1"
	NOTE	RAJ.013.1050	