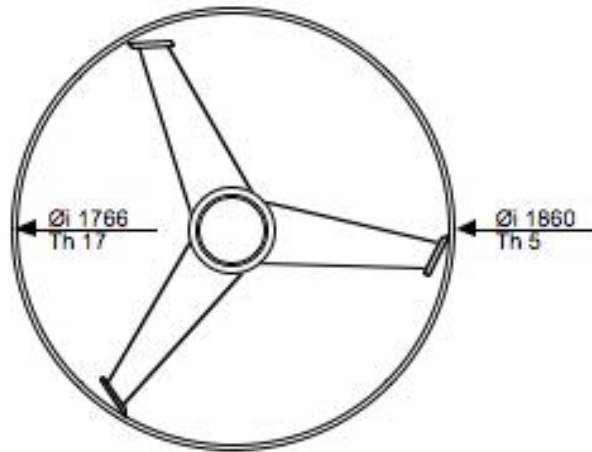
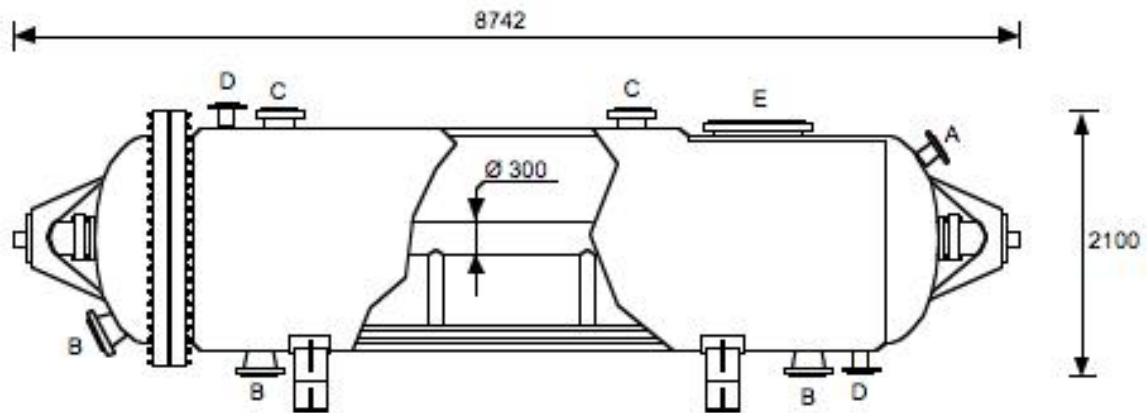


COPRINOX

DRYER

Code n° DRJ 160 0608

Location ref: 91 C3

CAPACITY LITERS **16000**

SHELL SIDE

JACKET/COIL SIDE

Design Pressure KG/cm²

15 + FV

2,5

Design Temperature °C

60

80

Material

Plated AISI 304 L

Carbon Steel

DRYER TYPE: Vacuum dryer

ANCC or ISPESL certification: **NOT**

Drive HP: 40 rpm: 10

NOZZLE DIMENSIONS

Pos	Service	Size inch.
A	Wet product inlet	8"
B	Dry product outlet	10"
C	Vapours outlet	10"
D	Heating medium in-out	5"
E	Man hole	$\varnothing 730$ mm

MANUFACTURER : CREUZEOT LOIRE

 USED USED RECONDITIONED UNUSEDWEIGHT (approx) Kg **15240.****NOTE** Manca il motoriduttore

Tenuta a premistoppa