

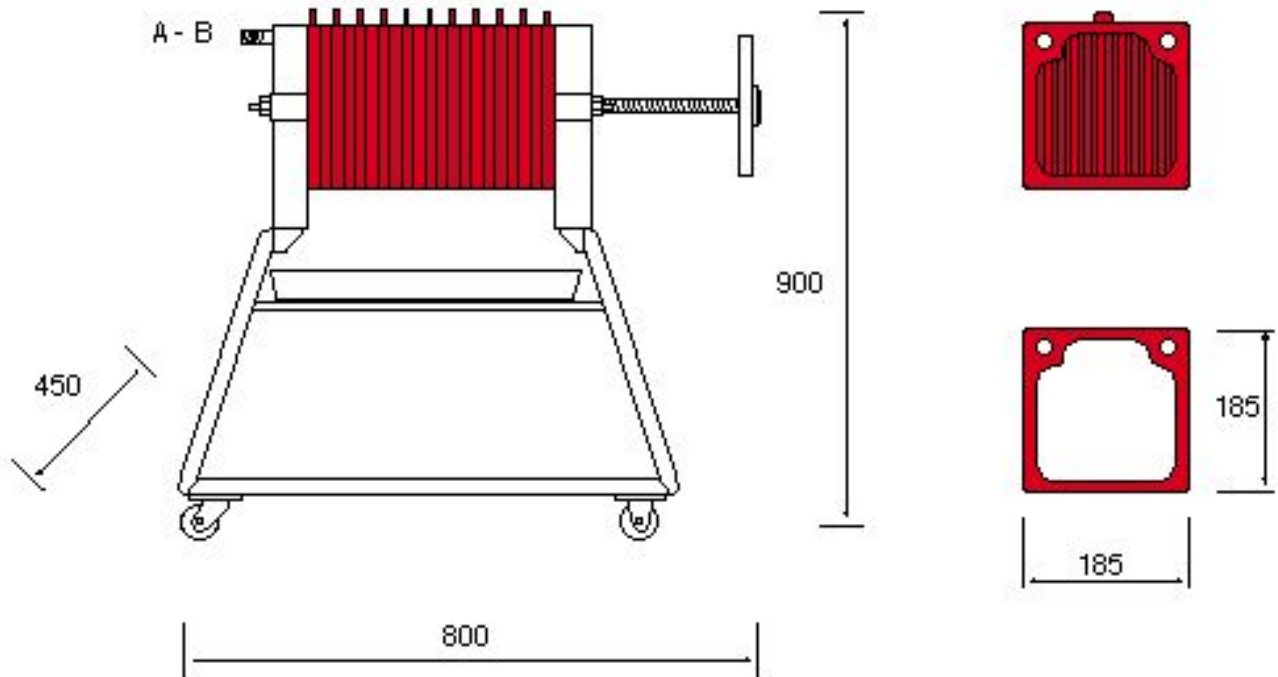
COPRINOX

FILTER

Code n° FX 001 0269 Location ref: 07 G1

N. 11 Plates th. 10 mm

N. 10 Frames th. 10 mm



FILTERING SURFACE m² <u>0,75</u>	SHELL SIDE	JACKET/COIL SIDE	
Design Pressure KG/cm2 Design Temperature °C Material	Bakelite		
FILTER TYPE: Filter press			
Cake volume liters: _____ Filtering elements n° <u>11/10</u> Thickness mm: <u>10</u>	Installed power HP: _____ Drive speed RPM: _____		
ANCC or ISPESL certification: <u>NOT</u> Availability in stock n° <u>02</u> units	NOZZLE DIMENSIONS		
MANUFACTURER: _____	Pos	Service	Size inch.
	A	Product inlet	3/4"
	B	Filtrate outlet	3/4"
	C		
	D		
<input checked="" type="checkbox"/> USED <input type="checkbox"/> USED RECONDITIONED <input type="checkbox"/> UNUSED	E		
	NOTE _____ _____ _____		
WEIGHT (approx) Kg _____			