

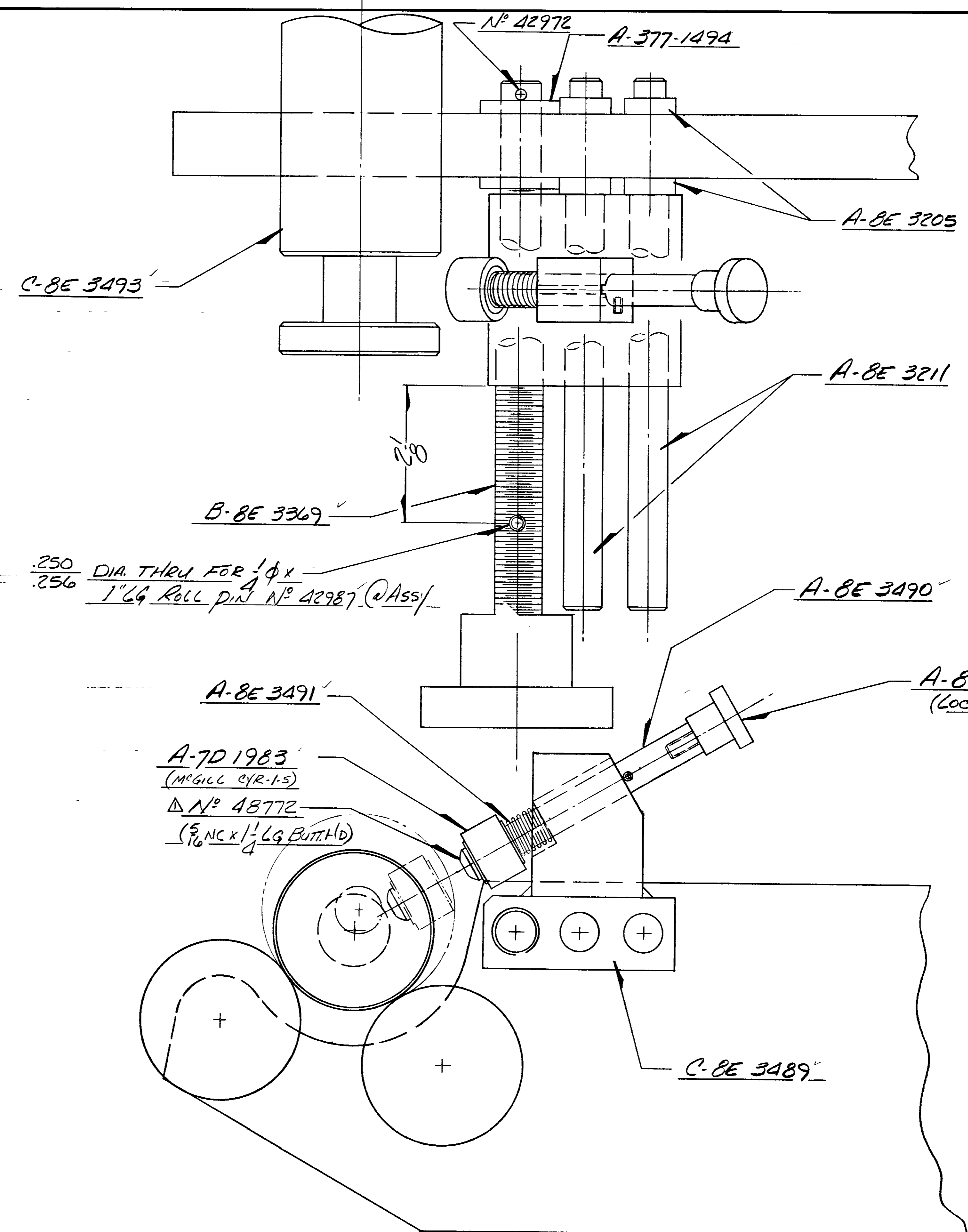
A-2A-0969 - AT ASSY. - FINGER TIGHTEN CAP SCREWS & NUTS THRU FLANGES OF PARTS BE-3221 & BE-3222 AND LEVEL PART BE-3218 WITH SPIRIT LEVEL. TIGHTEN CAP SCREWS & NUTS THRU FLANGES ON SEAM BETWEEN FLANGES DRILL & REAM FOR PRESS FIT OF (2) PARTS 2A-0969 LOCATED ON RADII OF FLANGES BETWEEN CAP SCREWS @ 90° FROM EA. OTHER AS SHOWN.

A-8E-3212 - AT ASSY. DRILL & REAM FOR PRESS FIT OF PART NO. BE-3212 (4) PLACES WHERE SHOWN.

NOTE: SEE SHEET 2 - D SIDE FOR DIETS IN THIS AREA.

|                        |      |   |    |   |
|------------------------|------|---|----|---|
| THIRD ANGLE PROJECTION |      | UNLESS OTHERWISE SPECIFIED DIMENSIONS ARE IN INCHES BREAK SHARP EDGES (1:20)  |    | PROTECTIVE FINISH   |
|                        |      | FRACTIONAL DIMENSIONS - 1/16<br>DECIMAL DIMENSIONS - 0.001<br>UNFINISHED SURFACES - 1/32<br>FINISHED SURFACES - 1/64<br>METAL DIMENSIONS - 1/32<br>SURFACE ROUGHNESS - 125<br>PERPENDICULARITY ON FINISHED SURFACES - 0.001/1.000 |    | MATERIAL<br>FMC CORPORATION<br>INDUSTRIAL MACHINERY DIVISION<br>GREEN BAY, WISCONSIN<br><b>FMC</b><br>20°<br><b>ASSEMBLY - ROLL LIFT</b><br>DATE: 2-18-87<br>SCALE: HALF<br>NO. BE-1320 |
| NO.                    | REV. | REVISIONS   | BY | DATE  |

NOTE: SHEET 2 IS "D" SIDE



NOTE: SHEET 1 IS "E" SIZE

SHEET 2 OF 2

|   |     |                        |    |  |                            |                   |  |
|---|-----|------------------------|----|--|----------------------------|-------------------|--|
|   |     | THIRD ANGLE PROJECTION |    | UNLESS OTHERWISE SPECIFIED<br>DIMENSIONS ARE IN INCHES<br>BREAK SHARP EDGES 0.020R<br><b>TOLERANCES</b><br>FRACTIONAL DIMENSIONS = ± 1/64<br>DECIMAL DIMENSIONS = ± .005<br>UNFINISHED CUTOFF, FABRICATION & SHEET METAL DIMENSIONS = ± 1/32<br>ANGLES = ± 1/2°<br>SURFACE ROUGHNESS = 125√<br>PERPENDICULARITY ON FINISHED SURFACES = 005/1.000 |                            | PROTECTIVE FINISH | <b>FMC</b> FMC CORPORATION<br>PACKAGING MACHINERY DIVISION<br>GREEN BAY, WISCONSIN<br>TITLE SURFACE DRIVEN<br>UNWIND - 20" |
| This drawing and all information contained hereon is the property of FMC Corporation. It shall not, wholly or in part, be copied, reproduced or used by others without express written permission from FMC. |     | MATERIAL               |    | DWN BY   | DATE                       | SCALE             |  |
| NO  | ECN | REVISIONS              | BY | DATE   | DWG NO<br><b>D</b> 8E 1320 |                   | SIZE<br>8E 1320  |