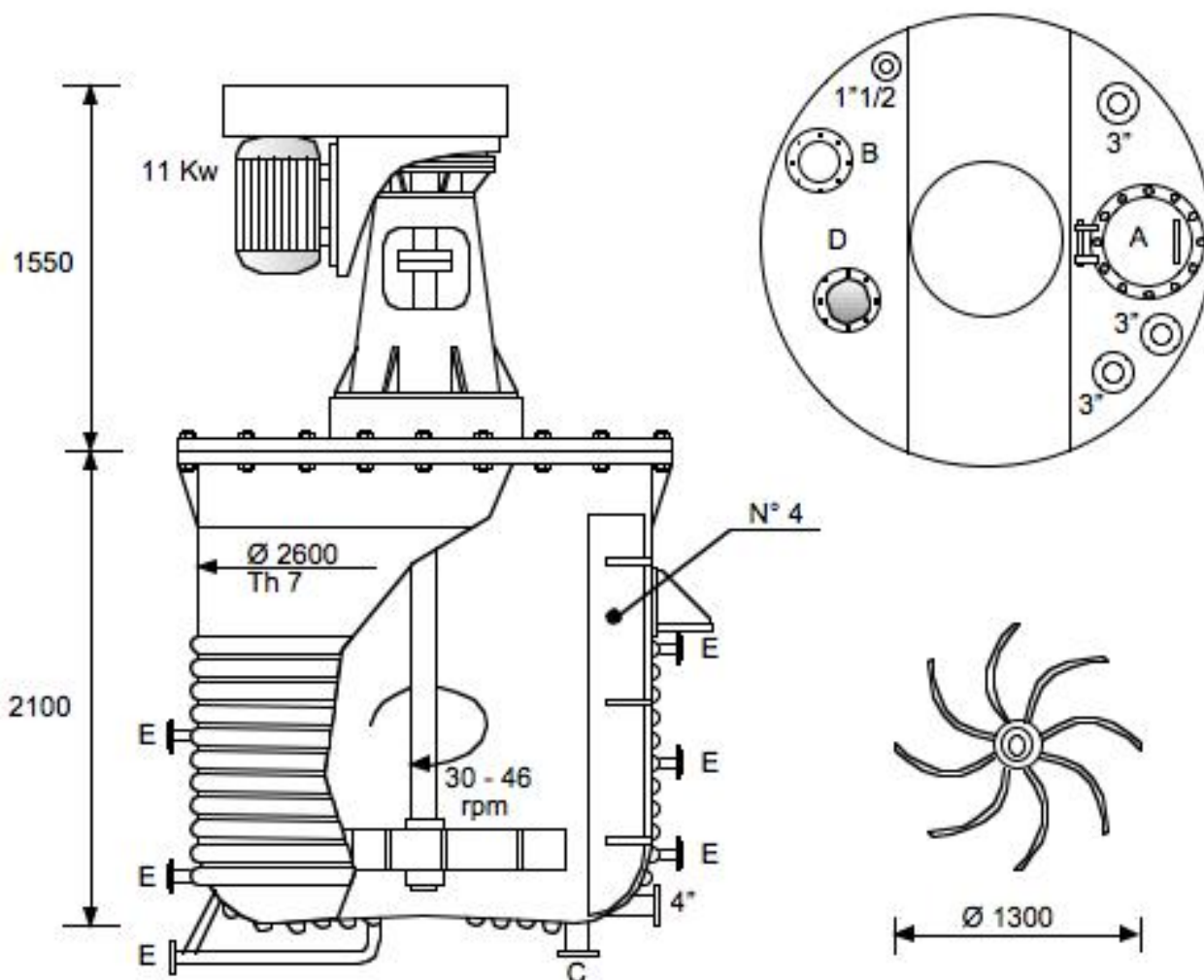


COPRINOX

AGITATED VESSEL

Code n° **RAS 100 1080**

Location ref: 98 S1



CAPACITY LITERS <u>10.000</u>	SHELL SIDE	JACKET/COIL SIDE	
Design Pressure KG/cm2		6	
Design Temperature °C	150	150	
Material	AISI 304	AISI 304	
ANCC or ISPESL certification: <u>NOT</u>	NOZZLE DIMENSIONS		
Availability in stock n° <u>02</u> units	Pos	Service	Size inch.
MANUFACTURER: <u>MANDRESSI</u>	A	Man hole	20"
<input checked="" type="checkbox"/> USED	B	Vapours outlet	10"
<input type="checkbox"/> USED RECONDITIONED	C	Product outlet	4"
<input type="checkbox"/> UNUSED	D	Sight glass	4"
WEIGHT (approx) Kg <u>3400</u>	E	Heating medium in-out	2"
	NOTE INTERNAL PARTS POLISH MIRROR AS.100.1098		