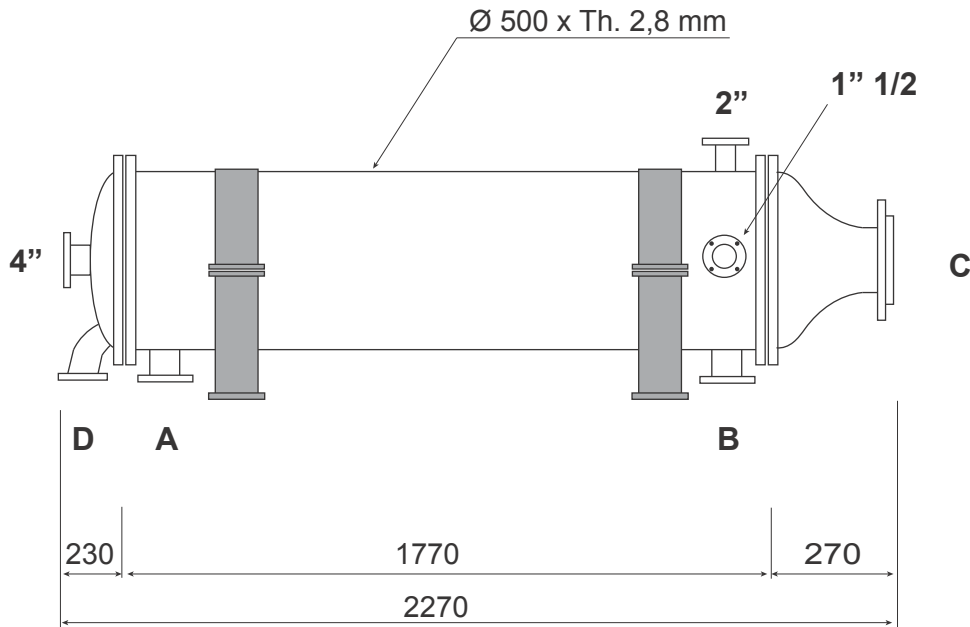


COPRINOX

HEAT EXCHANGER

Code n° HTD 020 1370

Location ref: 17 T2



HEATING SURFACE m² <u>20</u>	TUBE SIDE	SHELL SIDE	
Design Pressure KG/cm ² Design Temperature °C Capacity liters			
ANCC or ISPESL certification: <u>NOT</u>	NOZZLE DIMENSIONS		
Shell side traverse baffles n° _____ Tube side passes n° <u>1</u>	Pos	Service	Size inch.
TUBE O.D. <u>27</u>	A	Shell side inlet	4"
TUBE THICKNESS <u>1,5</u>	B	Shell side outlet	4"
TUBE N° <u>139</u>	C	Tube side inlet	10"
TUBE EXPAND <input checked="" type="checkbox"/>	D	Tube side outlet	3"
TUBE WELDED <input type="checkbox"/>	E		
EXPANSION JOINT <input type="checkbox"/>			
MATERIALS	VERTICAL <input type="checkbox"/> ORIZZONTAL <input checked="" type="checkbox"/> FLOATING HEAD <input type="checkbox"/> U - TUBE BUNDLE <input type="checkbox"/> KETTLE <input type="checkbox"/>		
SHELL <u>AISI 316</u>	<input type="checkbox"/> USED <input checked="" type="checkbox"/> USED RECONDITIONED <input type="checkbox"/> UNUSED		
TUBES <u>AISI 316</u>			
TUBESHEET <u>AISI 316</u>			
HEAD BONNET OR CHANNEL <u>AISI 316</u>			
WEIGHT (approx) Kg <u>600</u>	NOTE _____		
MANUFACTURER: <u>Francesco Gadda</u>			