

# SCREEN U.S.A.®

## TROM 512



## The Low Cost, Heavy Duty Trommel Screen For Small & Medium Producers

### DRY SCREENS

- TOPSOIL • COMPOST • PEAT • SAND • AGLIME
- DECOMPOSED BARK • CONCRETE WASHOUT

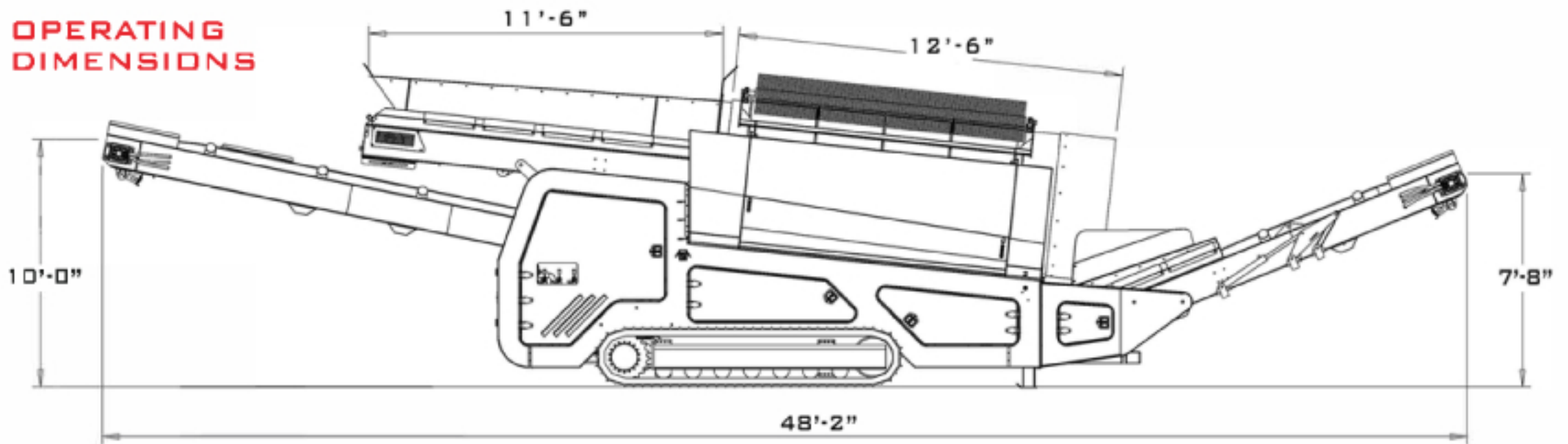


**SCREEN USA, INC.**

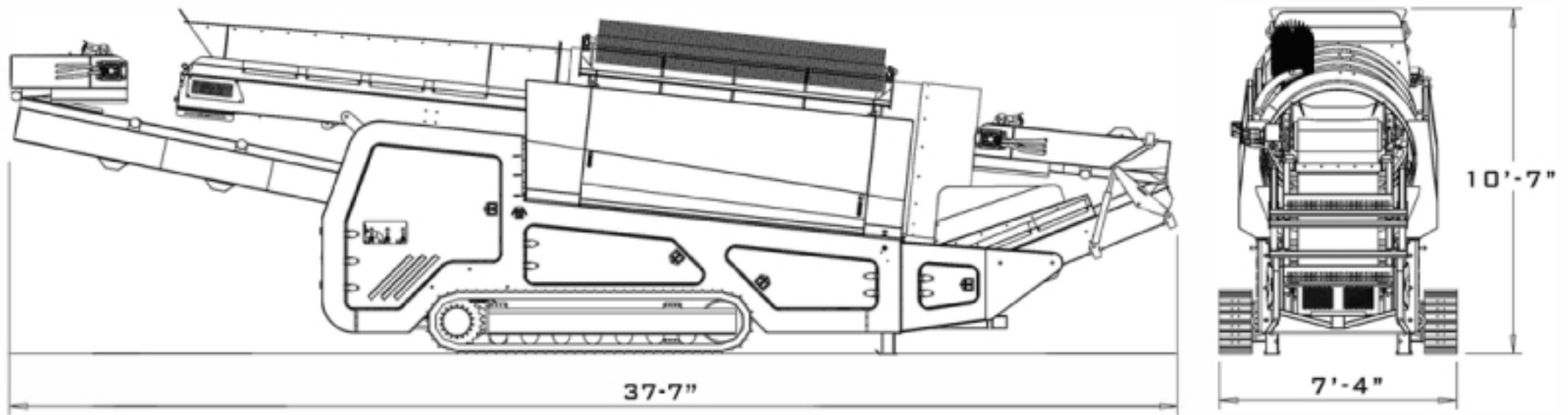
**1772 CORN RD  
SMYRNA, GA 30080  
770-433-2440  
SCREENUSA.NET**

# SCREEN U.S.A.®

## OPERATING DIMENSIONS



## TRANSPORTATION DIMENSIONS



### 1. ENGINE

- 68HP Cat TIER 4 Final DIESEL

### 2. SCREEN

- 5'-0" X 12'-0" DUAL DRIVE TROMMEL DRUM

### 3. HOPPER

- 3.2 CUBIC YARD

### 4. FEED CONVEYOR

- 39" WIDE FEEDER BELT

### 5. FLUID TANKS

- 18 GALLON FUEL
- 70 GALLON HYDRAULIC

### 6. FINES CONVEYOR

- 36" WIDE, 10'-0" DISCHARGE HEIGHT

### 7. OVERS CONVEYOR

- 30" WIDE, 7'-8" DISCHARGE HEIGHT

### 8. WEIGHT

- 21,900 LBS.

### 9. EASY ACCESS DRUM

- DOORS OPEN ON EACH SIDE



1772 CORN RD, SMYRNA, GA 30080 • 770-433-2440 • SCREENUSA.NET



NEW TC6036 CONVEYORS



NEW TC5036 CONVEYORS



NEW TR3665 CONVEYORS