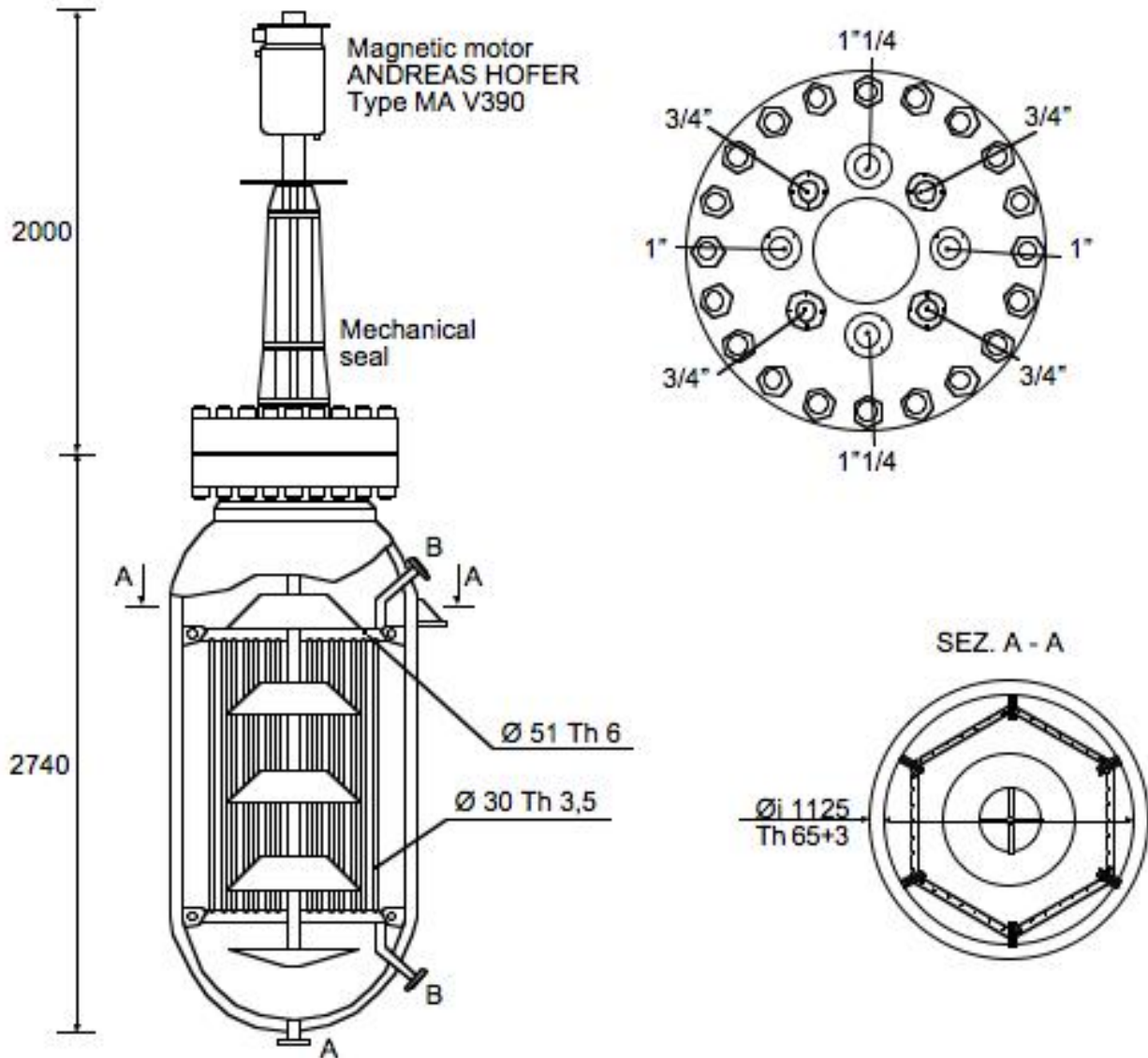


COPRINOX

AGITATED VESSEL

Code n° RAHC 020 0157

Location ref: 87 A4



CAPACITY LITERS <u>2.000</u>	SHELL SIDE	JACKET/COIL SIDE
Design Pressure KG/cm2	150	15
Design Temperature °C	220	220
Material	AISI 316 Ti	AISI 316 Ti
ANCC or ISPESL certification: <u>MI 554258</u>	NOZZLE DIMENSIONS	
Availability in stock n° <u>02</u> units	Pos	Service
MANUFACTURER: <u>FBM</u>	A	Product outlet
<input checked="" type="checkbox"/> USED <input type="checkbox"/> USED RECONDITIONED <input type="checkbox"/> UNUSED	B	Heating medium in-out
	C	
	D	
	E	
	WEIGHT (approx) Kg <u>6000</u>	NOTE