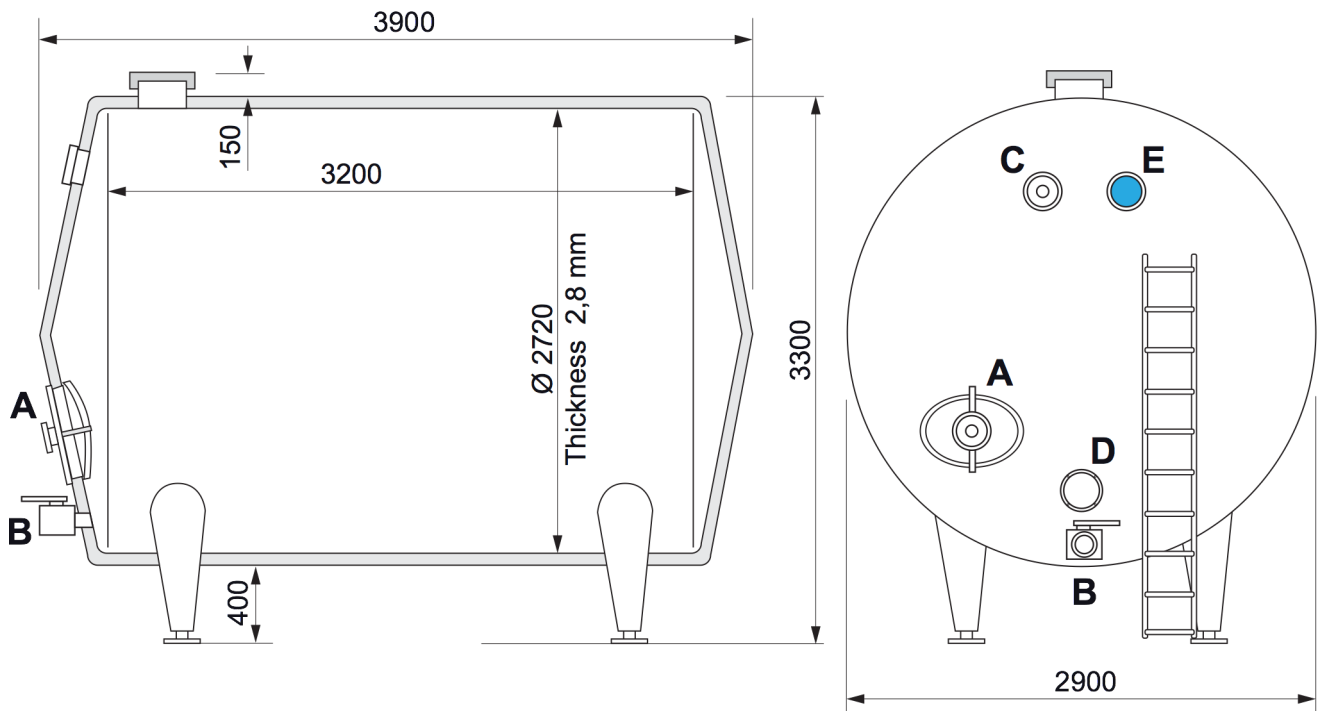


COPRINOX

VESSEL

Code n° VO 190 1604

Location ref: 20 C4

CAPACITY LITERS 19.200

SHELL SIDE

JACKET/COIL SIDE

Design Pressure KG/cm²
Design Temperature °C
Material

Atm

--

--

--

AISI 304

--

ANCC or ISPESL certification: N.AAvailability in stock n° 1 units

NOZZLE DIMENSIONS

Pos	Service	Size
A	Manhole	500x400
B	Product outlet	DN65
C	Service	DN150
D	Service / agitator flange	DN150
E	Sight glass	DN150

MANUFACTURER APV

- USED
 USED RECONDITIONED
 UNUSED

NOTE

WEIGHT (approx) Kg 1500