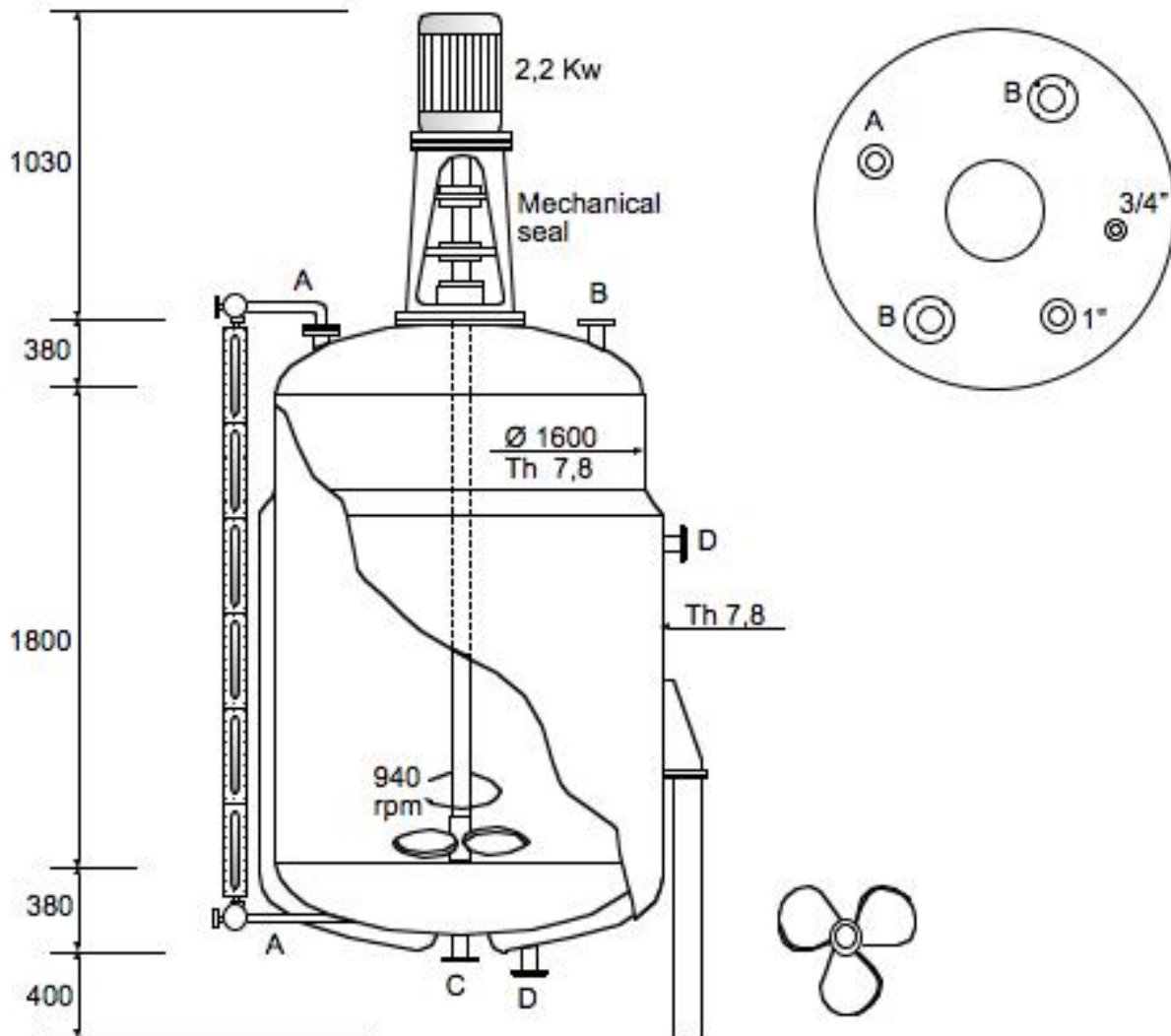


# COPRINOX

## AGITATED VESSEL

Code n° **RAJ 046 0853**

Location ref: 96 A4

CAPACITY LITERS **4.600**

SHELL SIDE

JACKET/COIL SIDE

Design Pressure KG/cm<sup>2</sup>  
Design Temperature °C  
Material

AISI 304

Carbon Steel

ANCC or ISPESL certification: **NOT**  
Availability in stock n° **01** units

## NOZZLE DIMENSIONS

Pos	Service	Size inch.
A	Level nozzle	1"
B	Product inlet	2"
C	Product outlet	2"
D	Heating medium in-out	2"
E		

MANUFACTURER: \_\_\_\_\_

 USED  
 USED RECONDITIONED  
 UNUSED

NOTE \_\_\_\_\_

WEIGHT (approx) Kg **2200**