

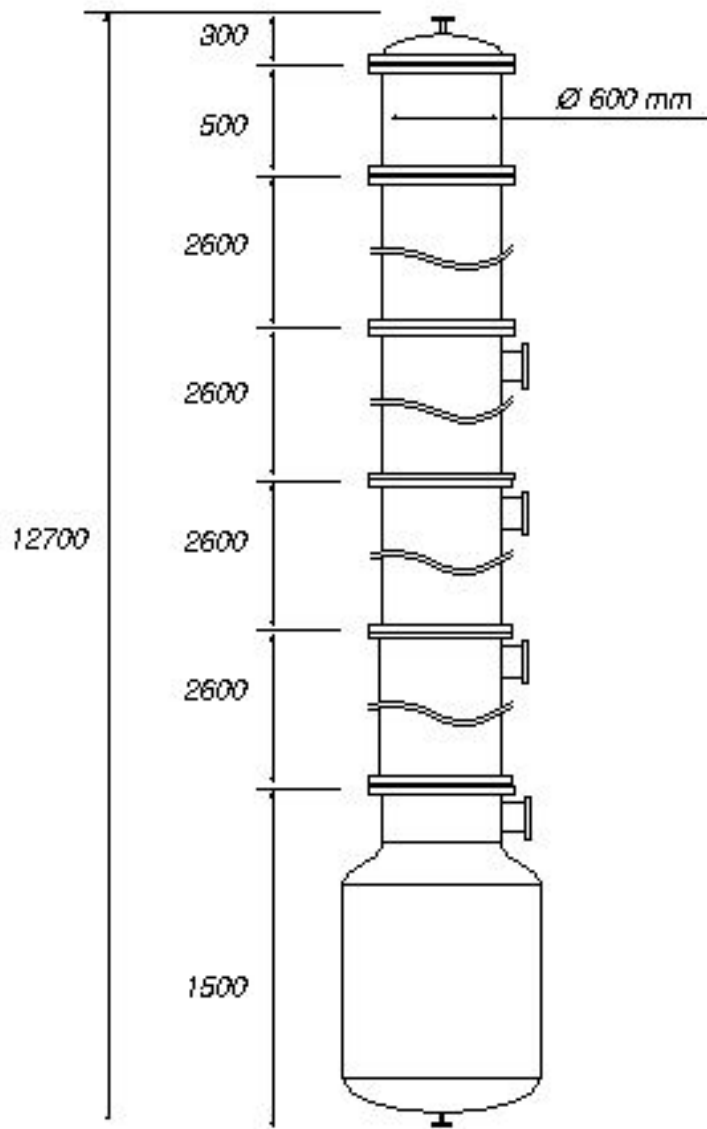
# COPRINOX

## COLUMNS

Code n° TW

060 0039

Location ref: 93 F1

CAPACITY LITERS 3600

SHELL SIDE

JACKET SIDE

Design Pressure KG/cm<sup>2</sup>  
Design Temperature °C  
Material

AISI 304

ANCC or ISPEL certification: NOT  
Availability in stock n° 01 units

## NOZZLE DIMENSIONS

Pos	Service	Size inch.
A		
B		
C		
D		
E		

MANUFACTURER: \_\_\_\_\_

- USED  
 USED RECONDITIONED  
 UNUSED

NOTE \_\_\_\_\_

WEIGHT (approx) Kg \_\_\_\_\_