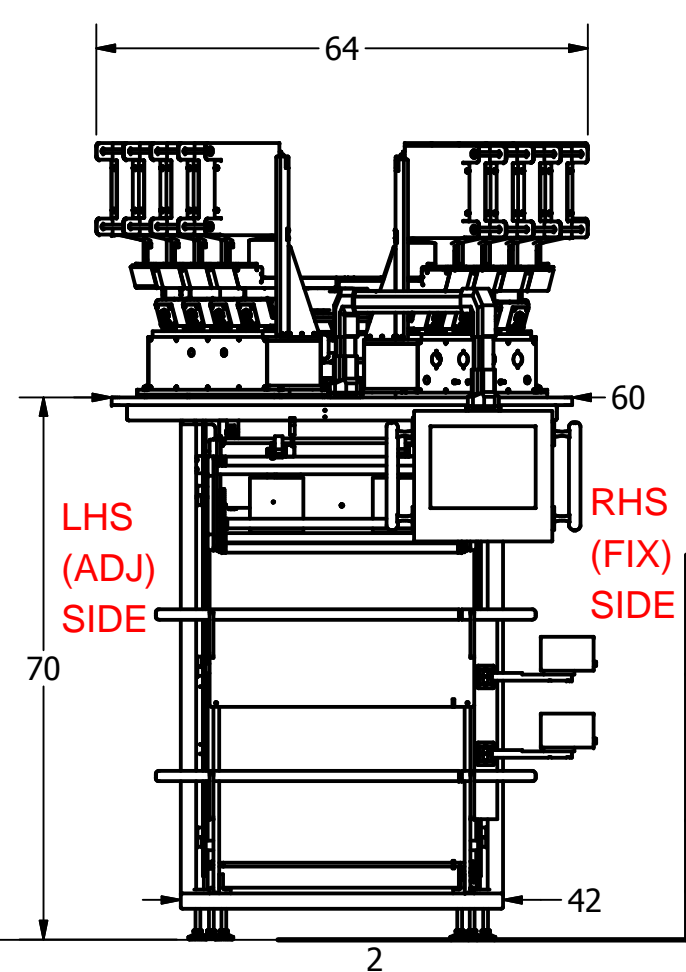
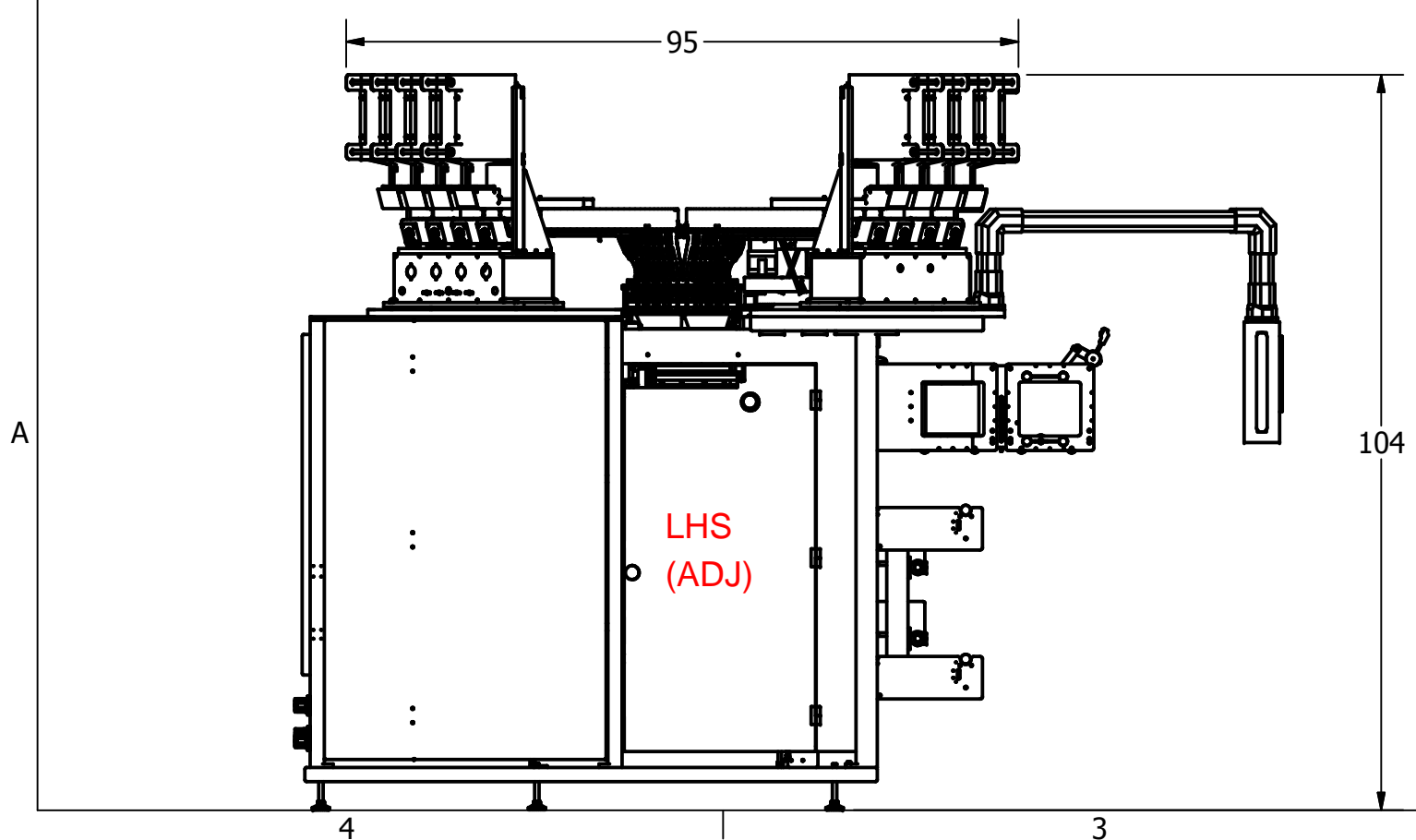
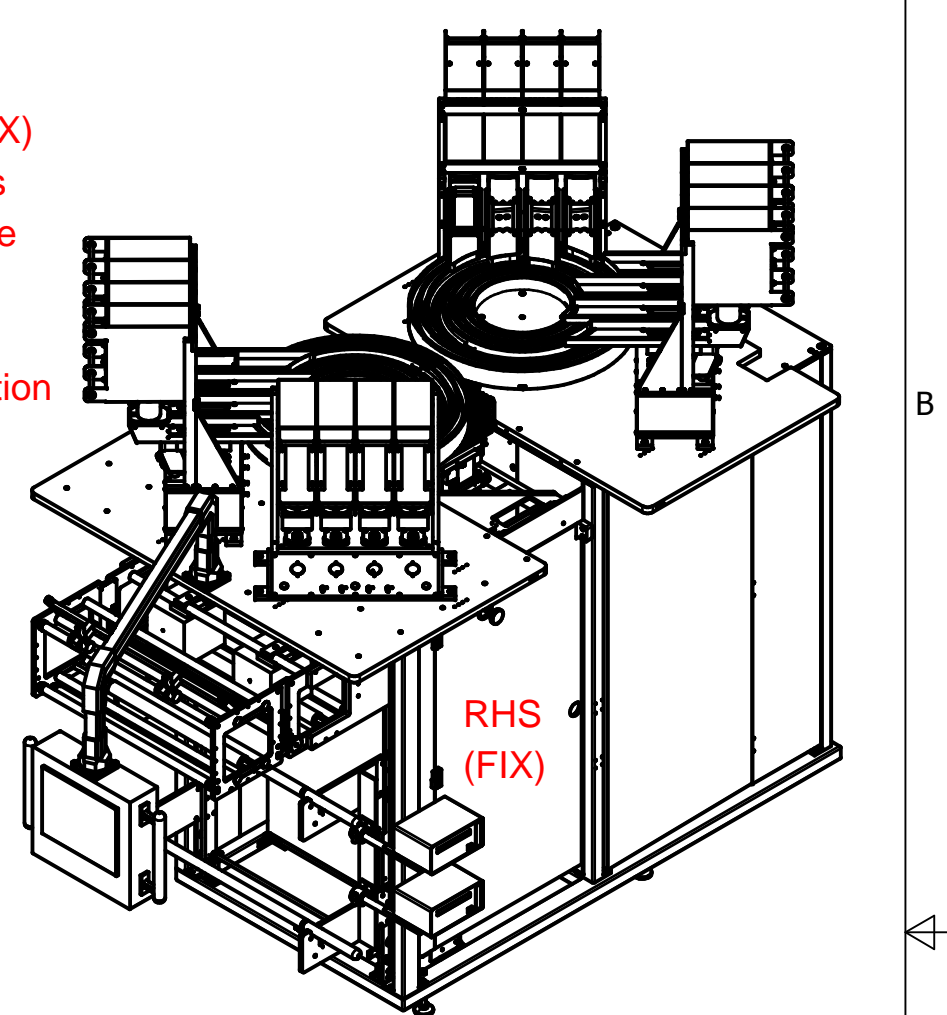


The machines are described by bearing type, the bearings are fixed in position (FIX) on RHS of machine, and on LHS bearings are mounted on slides (ADJ). Bearings are inside the machine but allow someone to understand orientation based on machine feature instead of a relative standing location or point of view.



WRAPADE PACKAGING SYSTEMS, LLC. NEW JERSEY - U.S.A. INFORMATION IS PRIVATE PROPERTY, AND IS NOT TO BE SHARED WITHOUT WRITTEN AUTHORIZATION				
TITLE V612 MULTI-FEED				
SIZE B	REF. BM	REF. ASSY	DWG NO B31225	REV
SCALE FULL		SHEET 1 OF 1		1