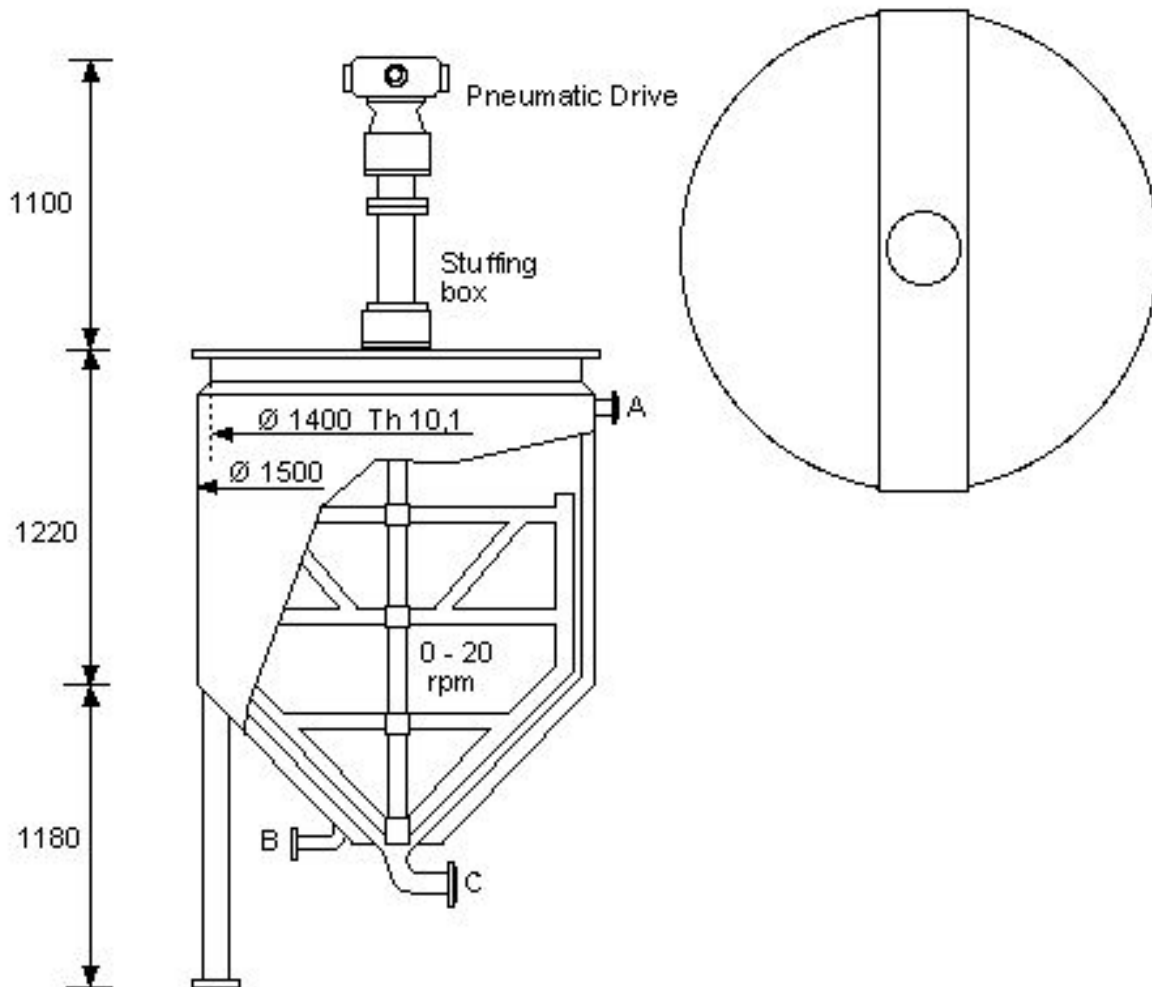


COPRINOX

AGITATED VESSEL

Code n° **RAJ 026 1150**

Location ref: 99 T2



CAPACITY LITERS <u>2.600</u>	SHELL SIDE	JACKET/COIL SIDE	
Design Pressure KG/cm ²	ATM	4 (max10)	
Design Temperature °C	-20+80	-20+95	
Material	AISI 316L	AISI 304	
ANCC or ISPESL certification: <u>NOT</u>	NOZZLE DIMENSIONS		
Availability in stock n° <u>1</u> units	Pos	Service	Size inch.
MANUFACTURER: _____	A	Heating medium inlet	2"
<input type="checkbox"/> USED	B	Heating medium outlet	2"
<input checked="" type="checkbox"/> USED RECONDITIONED	C	Product outlet	3"
<input type="checkbox"/> UNUSED	D		
	E		
WEIGHT (approx) Kg <u>1600</u>	NOTE ALL PARTS POLISH MIRROR		