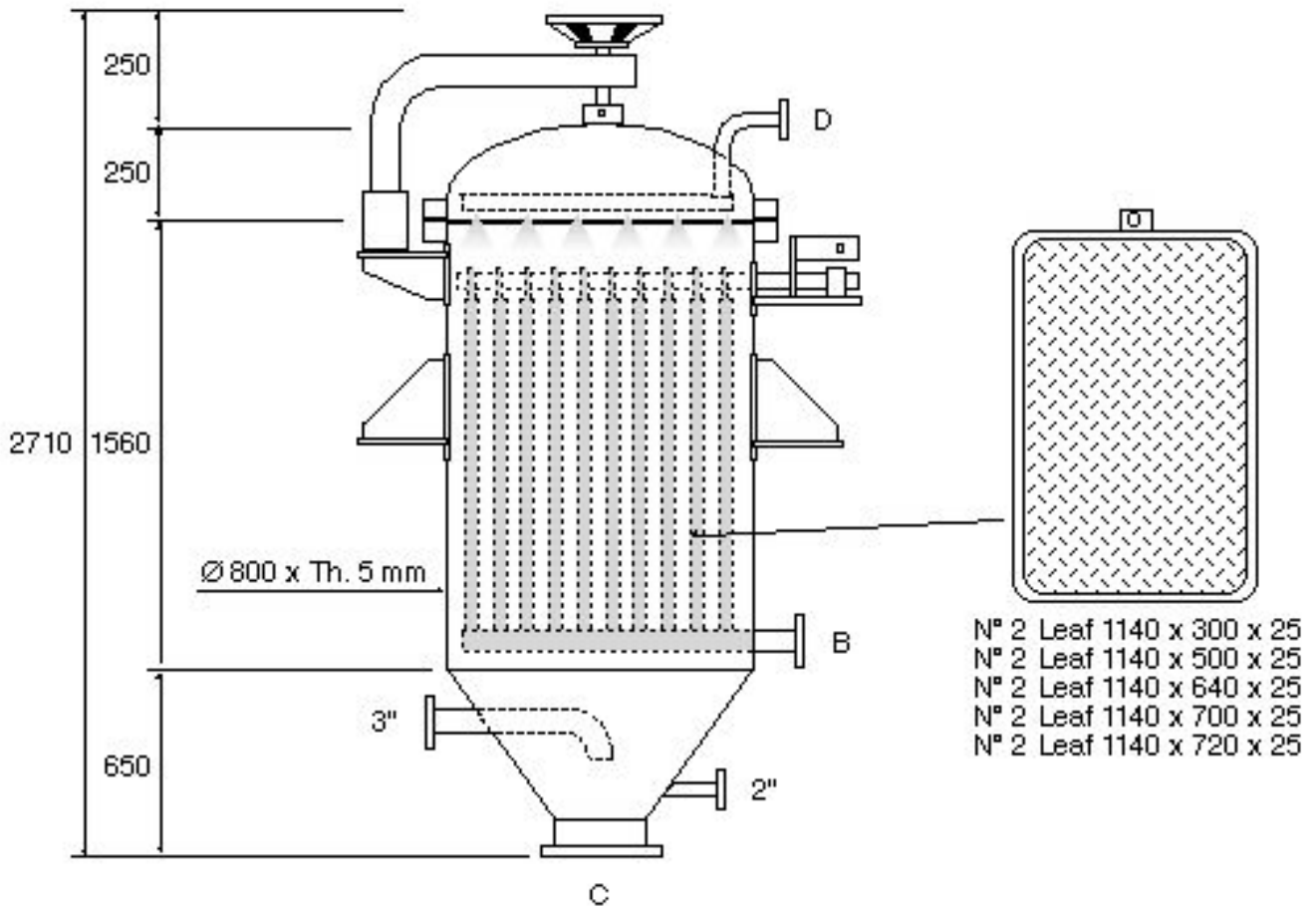


# COPRINOX

# FILTER

Code n° FX 013 0272 Location ref: 07 C4



- N° 2 Leaf 1140 x 300 x 25
- N° 2 Leaf 1140 x 500 x 25
- N° 2 Leaf 1140 x 640 x 25
- N° 2 Leaf 1140 x 700 x 25
- N° 2 Leaf 1140 x 720 x 25

<b>FILTERING SURFACE m<sup>2</sup></b> <span style="float: right; font-size: 1.2em;"><b>13</b></span>	<b>SHELL SIDE</b>	<b>JACKET/COIL SIDE</b>
Design Pressure KG/cm2 Design Temperature °C Material	AISI 304	
<b>FILTER TYPE: Sleeve Filter</b>		
Cake volume liters: _____ Filtering elements n° <u>10</u> Thickness mm: <u>25</u>	Installed power HP: _____ Drive speed RPM: _____	
ANCC or ISPEL certification: <u>NOT</u> Availability in stock n° <u>2</u> units	<b>NOZZLE DIMENSIONS</b>	
<b>MANUFACTURER:</b> _____	Pos	Service
<input checked="" type="checkbox"/> USED <input type="checkbox"/> USED RECONDITIONED <input type="checkbox"/> UNUSED	A	
	B	Liquid outlet
	C	Product discharge
	D	Washing
	E	
		Size inch.
		3"
		10"
		1"1/4
<b>WEIGHT (approx) Kg</b> <span style="float: right; font-size: 1.2em;"><b>300</b></span>	<b>NOTE</b> _____	