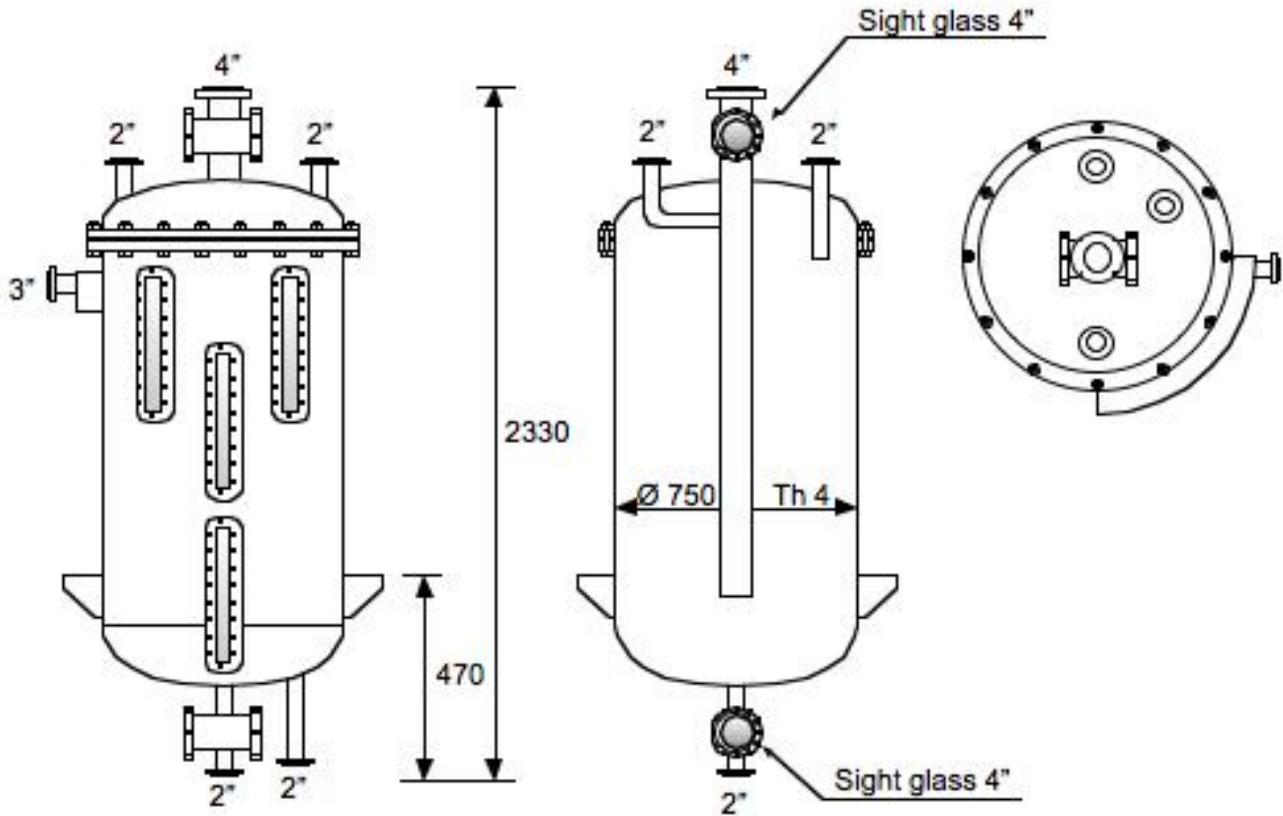


COPRINOX

VESSEL

Code n° **VV 006 0421**Location ref: **C1**

CAPACITY LITERS _____ 600 _____	SHELL SIDE	JACKET/COIL SIDE	
Design Pressure KG/cm ² Design Temperature °C Material	AISI 304		
ANCC or ISPESL certification: _____ NOT _____ Availability in stock n° _____ 01 _____ units	NOZZLE DIMENSIONS		
MANUFACTURER _____ F.B.M. _____	Pos	Service	Size inch.
<input checked="" type="checkbox"/> USED <input type="checkbox"/> USED RECONDITIONED <input type="checkbox"/> UNUSED	A		
	B		
	C		
	D		
	E		
WEIGHT (approx) Kg _____ 650 _____	NOTE _____ _____ _____		