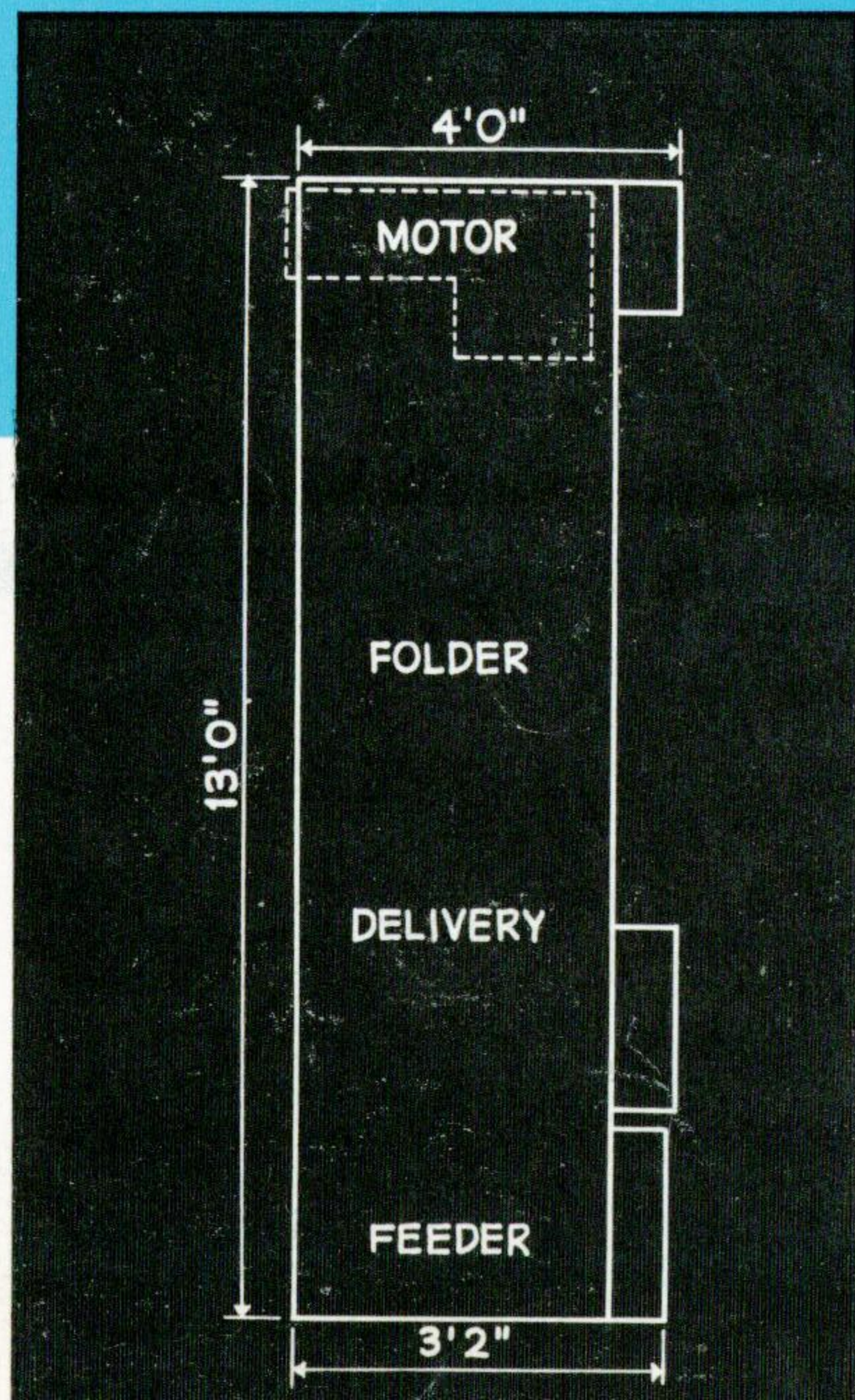


model RM

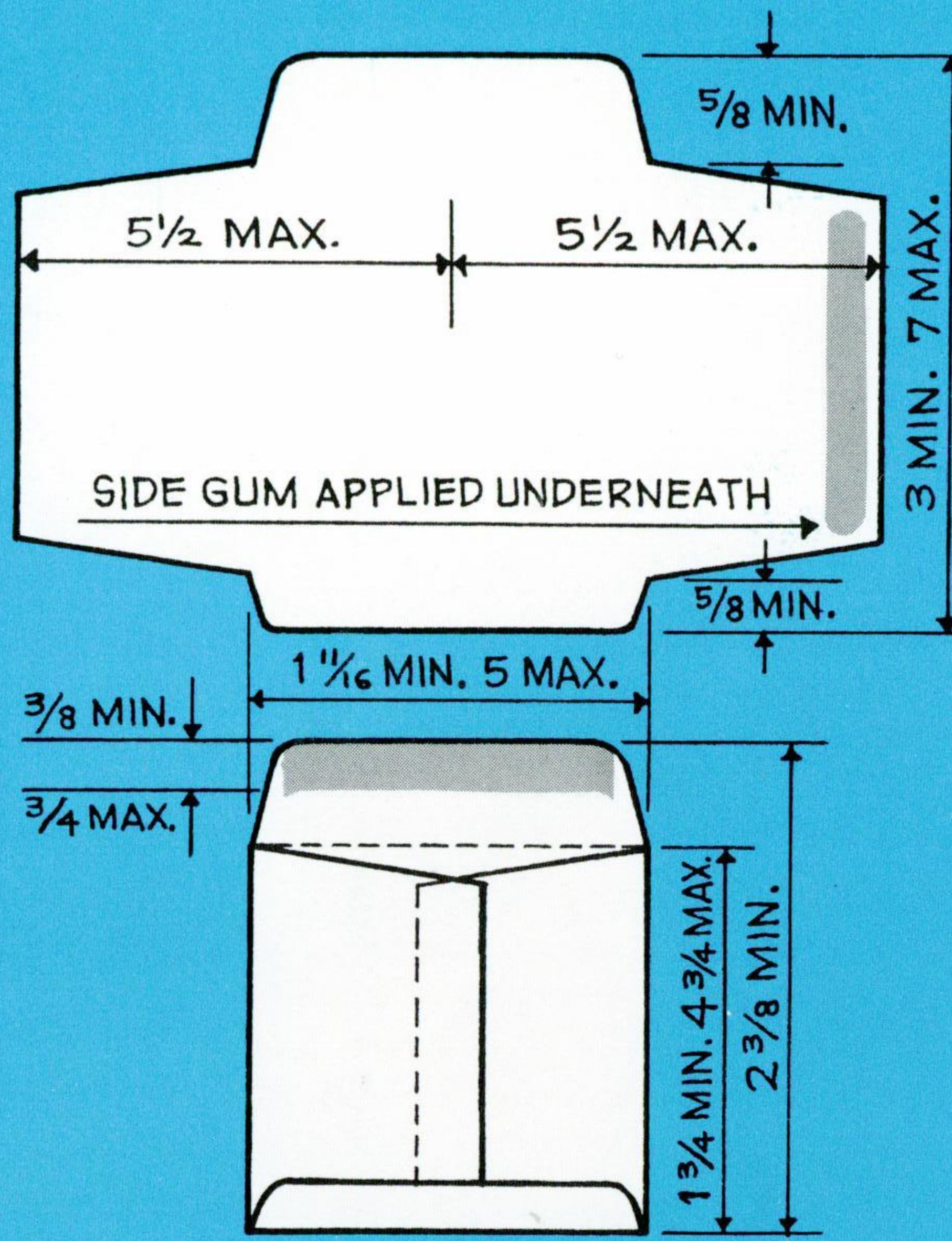


CHAMPION MINIATURE ROTARY OPEN END AND OPEN SIDE MACHINE

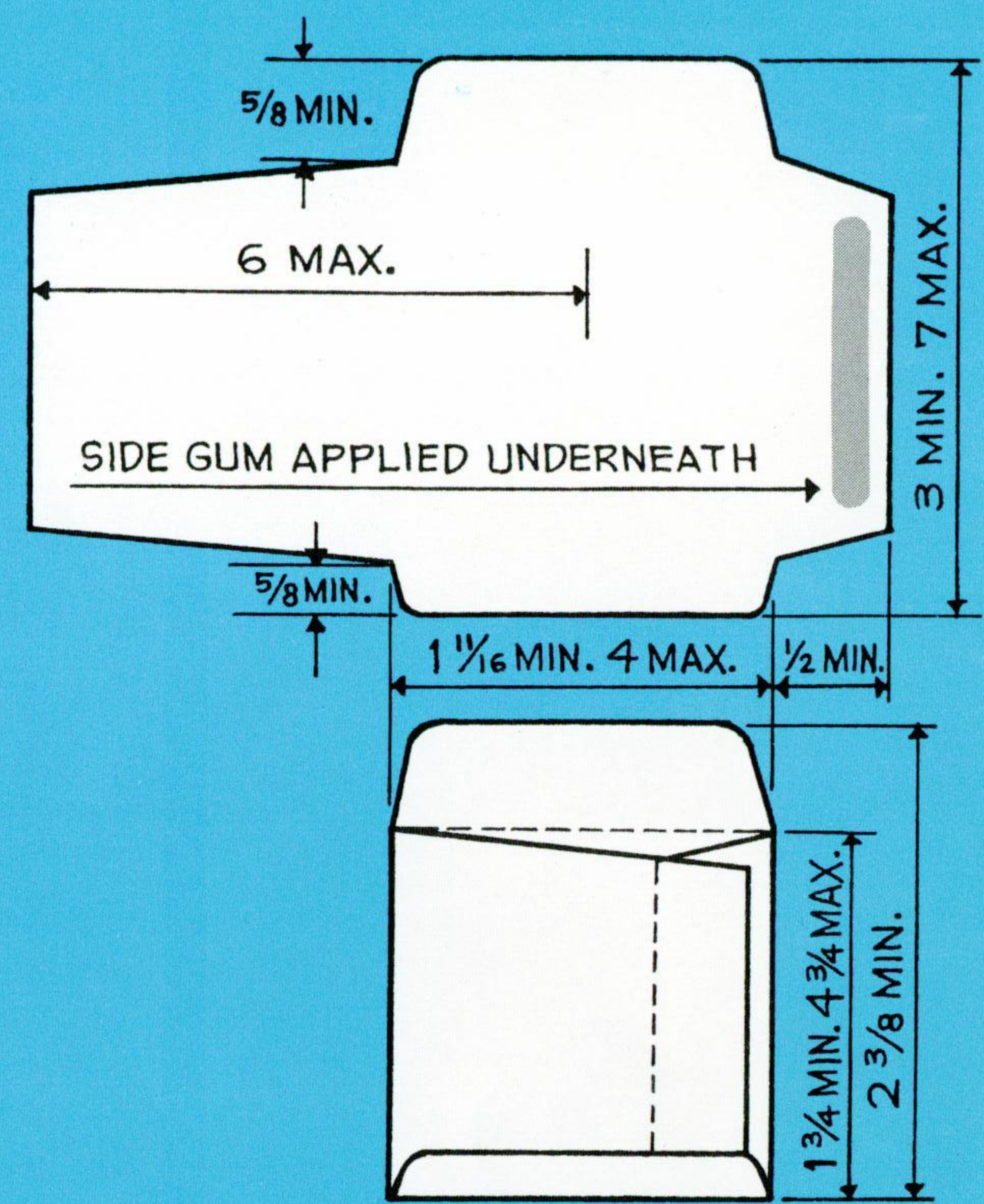


Curtius
curtius technologies, inc.

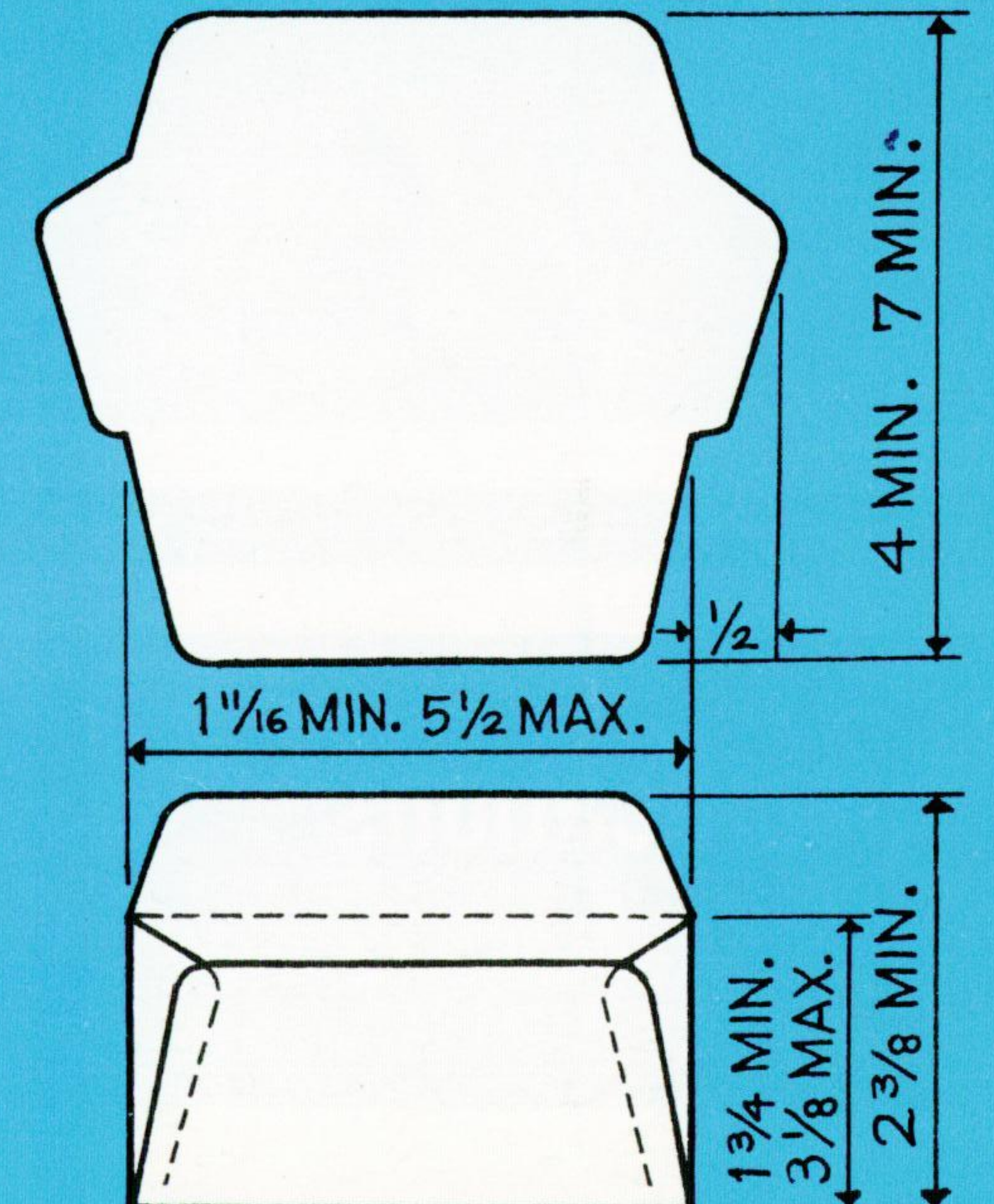
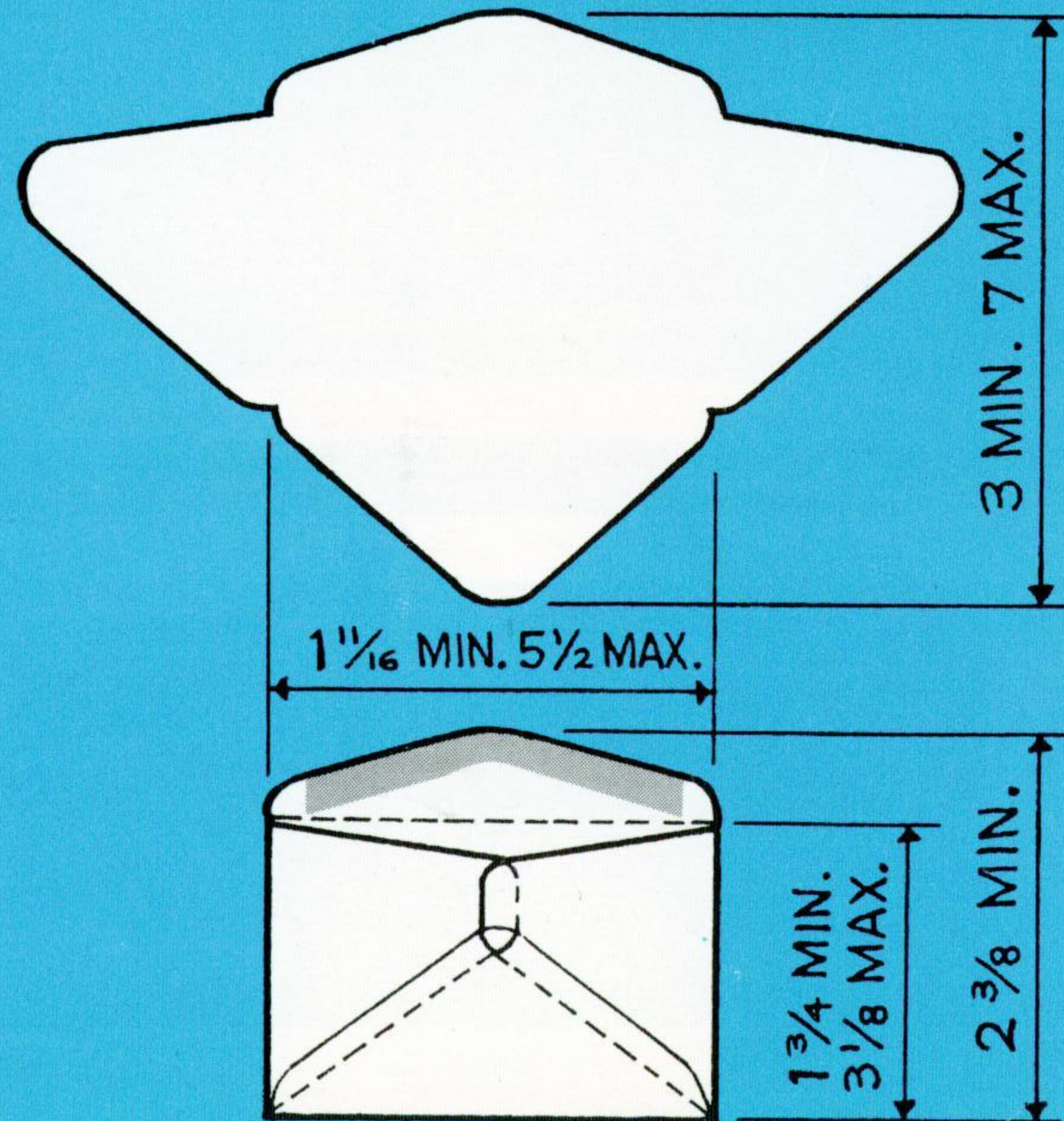
range of
envelopes
on



Standard fold — right flap under left flap.



Left hand fold requires opposite hand gum box.





The Champion Minature Rotary Machine RM has been developed especially for the manufacture of small open end and open side envelopes in a wide variety of sizes and styles. The minimum envelope is 1¹¹/₁₆" x 1³/₄". The maximum open end is 5" x 4³/₄", the maximum open side is 3¹/₈" x 5¹/₂" and the largest single side seam is 4" x 4³/₄". Church envelope sizes range from 1³/₄" x 3⁵/₈" up to 3¹/₈" x 5¹/₂".

Production speeds are from 300 per minute on the very small envelopes to approximately 500 per minute on the medium and large size envelopes. The design of the RM Machine combines high speed with sturdiness, variability and accessibility. The feeder is of the WR type, die cut blanks being stacked so as to allow the bottom sheet to be pulled out by suction in a continuous feed. Thus, the blanks are placed in overlapped relation for seal gumming from the WR type of seal flap gumbox. The blanks are then carried through a drier underneath the machine where quartz drying lamps dry the seal gum. The blanks are then separated by a pull out segment for realignment before scoring and folding. A side gumbox, similar to that on the SO, applies seam gum for open

end envelopes. The bottom flaps of open end envelopes are gummed by another gumbox of the WR type which is also used to apply back seam gum when running open side envelopes. The plowshares for side flap folding are made long, enabling the side flaps of both open end and open side envelopes to be folded. An extra scoring device has been built in after this point for use when running safety fold envelopes. The bottom and seal flap folders and the delivery utilize both mechanical devices and air suction to aid in increasing the speed and efficiency of the RM. The envelopes are delivered counted and stacked ready for boxing.

Operators and adjusters familiar with our SO and WR Machines will find the RM easy to handle. Change time is low, as all adjustments are easily accessible and simply made. This machine will be found extremely efficient on such envelopes as wallets, opticals, small coins, church envelopes, drugs, pays, theatre tickets and in fact many varieties of small specialty envelopes. The construction of the RM Machine is such that it can be depended upon for many years of valuable service.

specifications

RM machine

ENVELOPE STYLE	ENVELOPE RANGE	CAPACITY Env. per minute	FLOOR SPACE	HEIGHT	POWER (DRIVE)	FEEDER ALIGNER	SHIPPING WEIGHT		SHIPPING DIMENSIONS
							GROSS	NET	
OPEN END	1-11/16x13/4 TO 5x43/4	UP TO 500	4'0" x 13'0"	4'4"	3 HP		1950 LBS.	1700 LBS.	75"L. x 44"W. x 61"H.
OPEN SIDE	1-11/16x13/4 TO 31/8x51/2						3450 LBS.	3200 LBS.	116"L. x 44"W. x 61"H.

NOTE: Auxiliary motors add approximately 2 1/2 H P.

Capacity, weights and dimensions approximate.