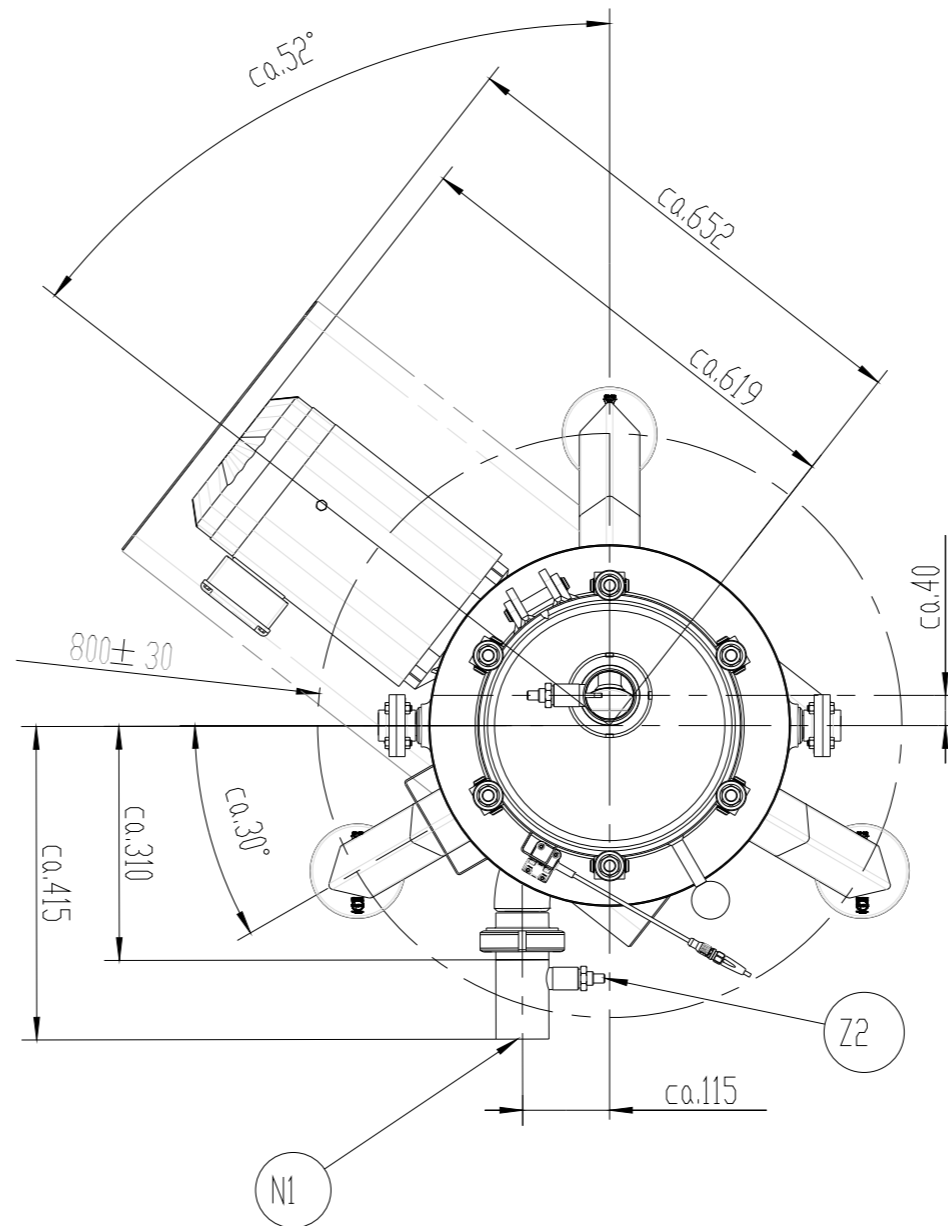
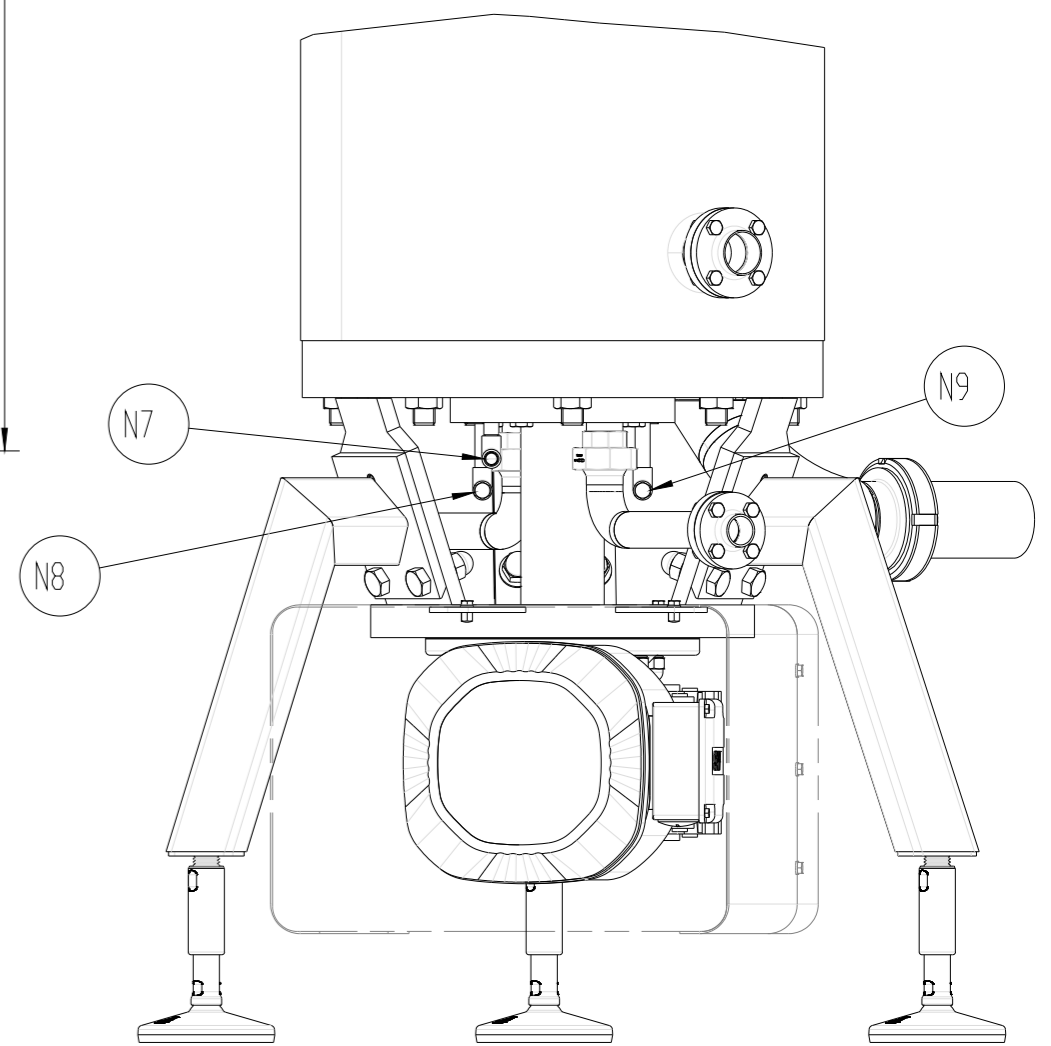


optional
with
temperature
sensor



optional
with
temperature
sensor

Terlet Terlotherm DELTA100
ALL ILLUSTRATIONS ARE EXEMPLARY

Code	Size	Description	Remark
N1	DN65	Product inlet	See C in quotation
N2	DN65	Product outlet	See D in quotation
N3	DN25	Medium inlet (inside jacket)	DIN11853-2
N4	DN25	Medium outlet (inside jacket)	DIN11853-2
N5	DN40	Medium inlet (outside jacket)	DIN11853-2
N6	DN40	Medium outlet (outside jacket)	DIN11853-2
N7	13.72x1.65	Leakage outlet	See S in quotation
N8	1/4" thread	Medium connection rinseable seal	See S in quotation
N9	1/4" thread	Medium connection rinseable seal	See S in quotation

		Vessel (product side)	Inner jacket (medium side)	Outer jacket (medium side)
Volume approx.	(L)	37	2.9	4.7
Design pressure max.	bar(g)	10	5.9	5.9
Design temperature	(°C)	-20/165	-20/165	-20/165
	(°F)	-4/329	-4/329	-4/329

Stephan by ProXES	Benennung title		TD100		Werkstoff material	
	Zeichnungs-Nr. drawing no.		1_TD100-A100		Projektionsmethode 1 first-angle projection	
Allgemeintoleranzen general tolerances		DIN ISO 2768-1 m		Blattformat sheet size		
		DIN ISO 2768-2 K		Seitenzahl sheet no.		
Datum date		Name name	Gewicht weight	Maßstab scale	Blattformat sheet size	Seitenzahl sheet no.
erstellt created		19.11.21	AM	500 kg	1:10	A2
geprüft approved						1/2
<small>Urheberrecht: Für diese technische Unterlage behalten wir uns alle Rechte vor. Stephan Machinery GmbH, D 31789 Hainle Copyright: We reserve all rights to this technical document. Stephan Machinery GmbH, D 31789 Hainle</small>						