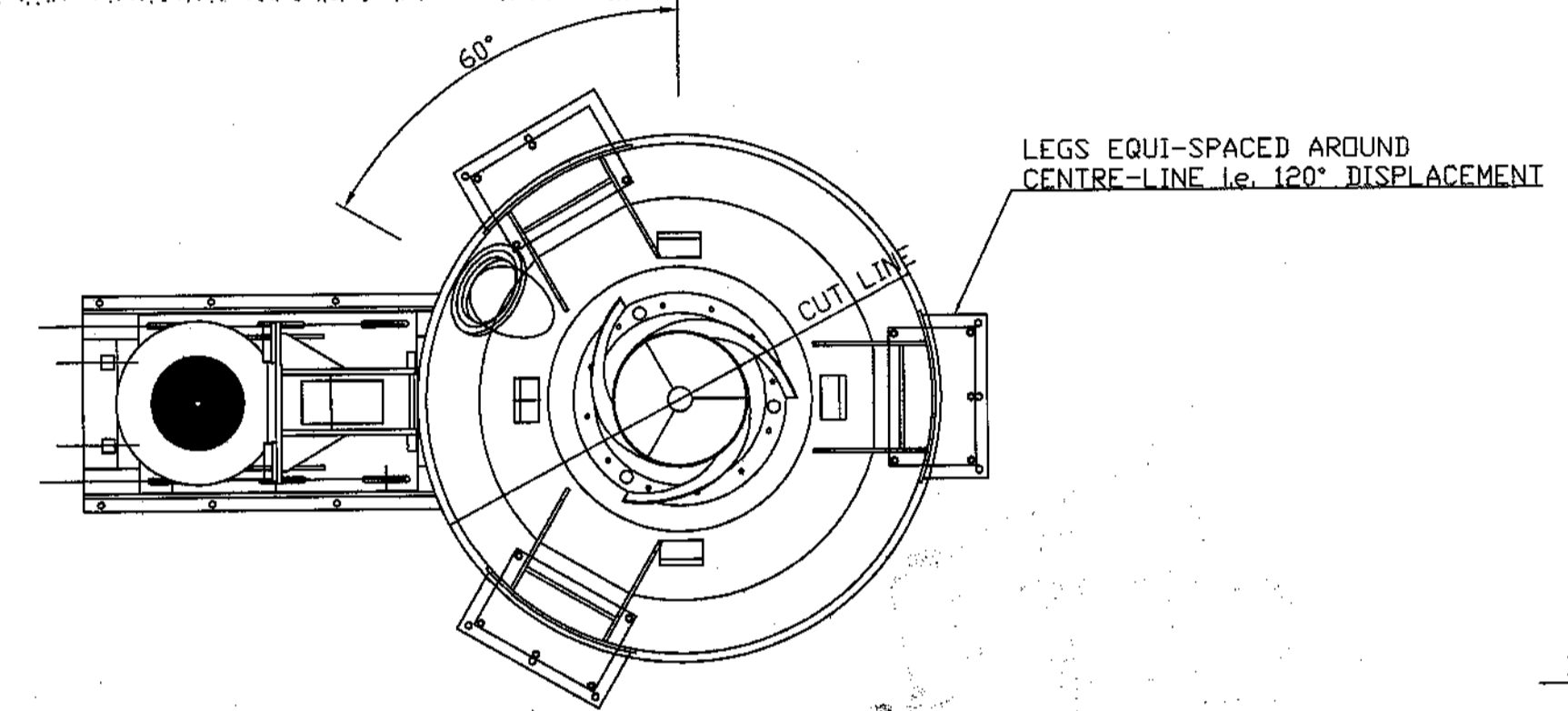
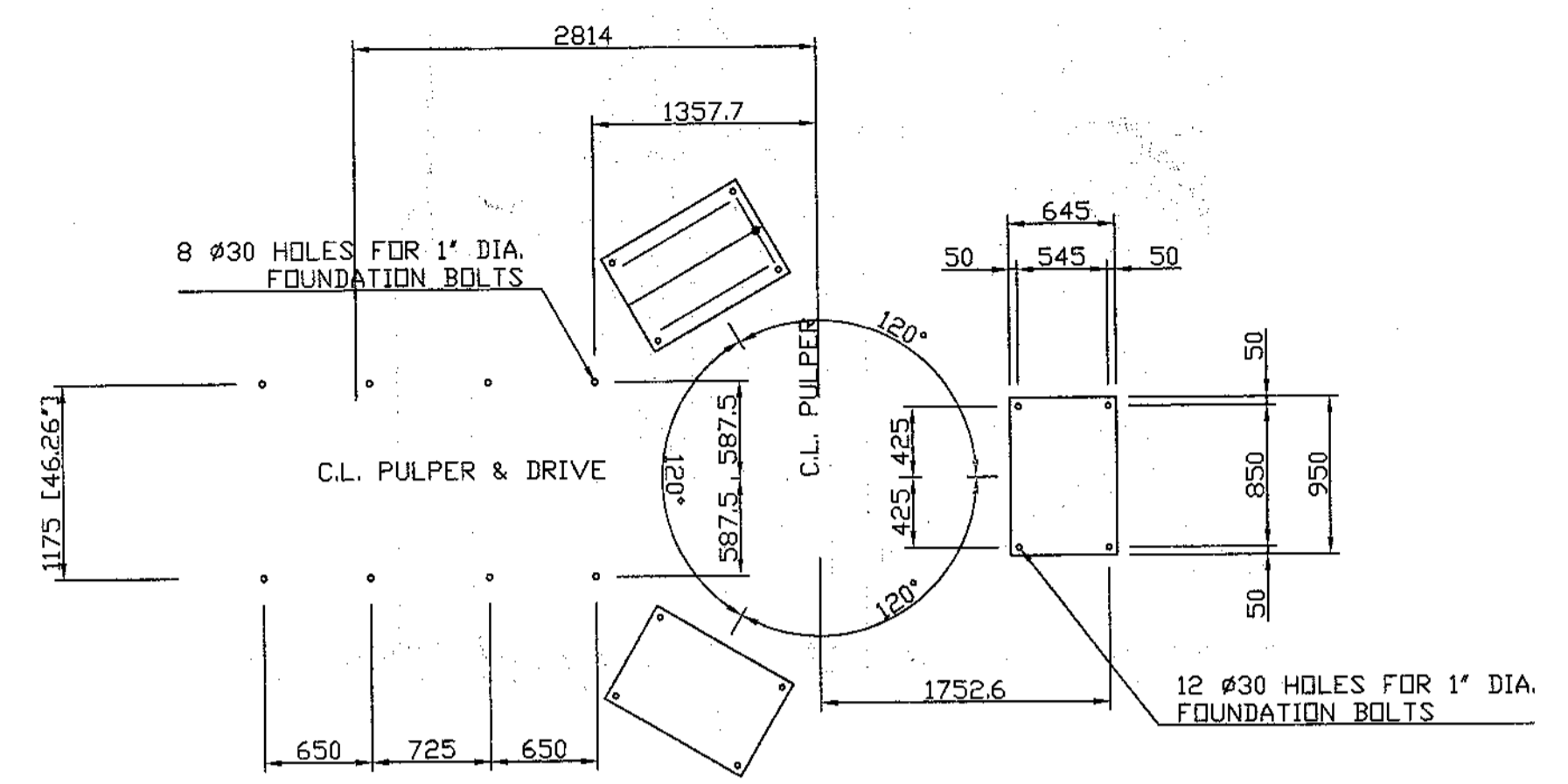
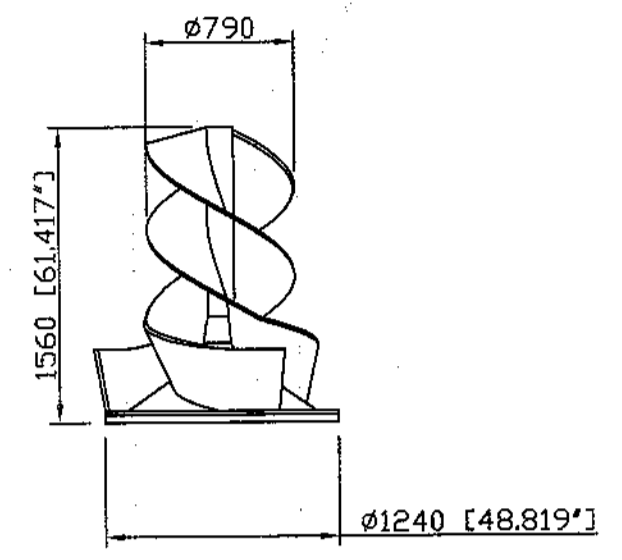
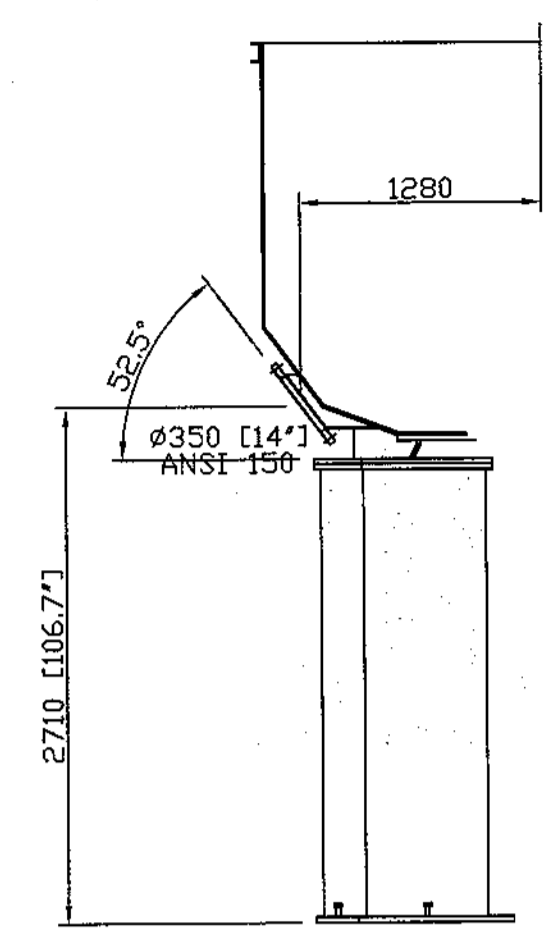
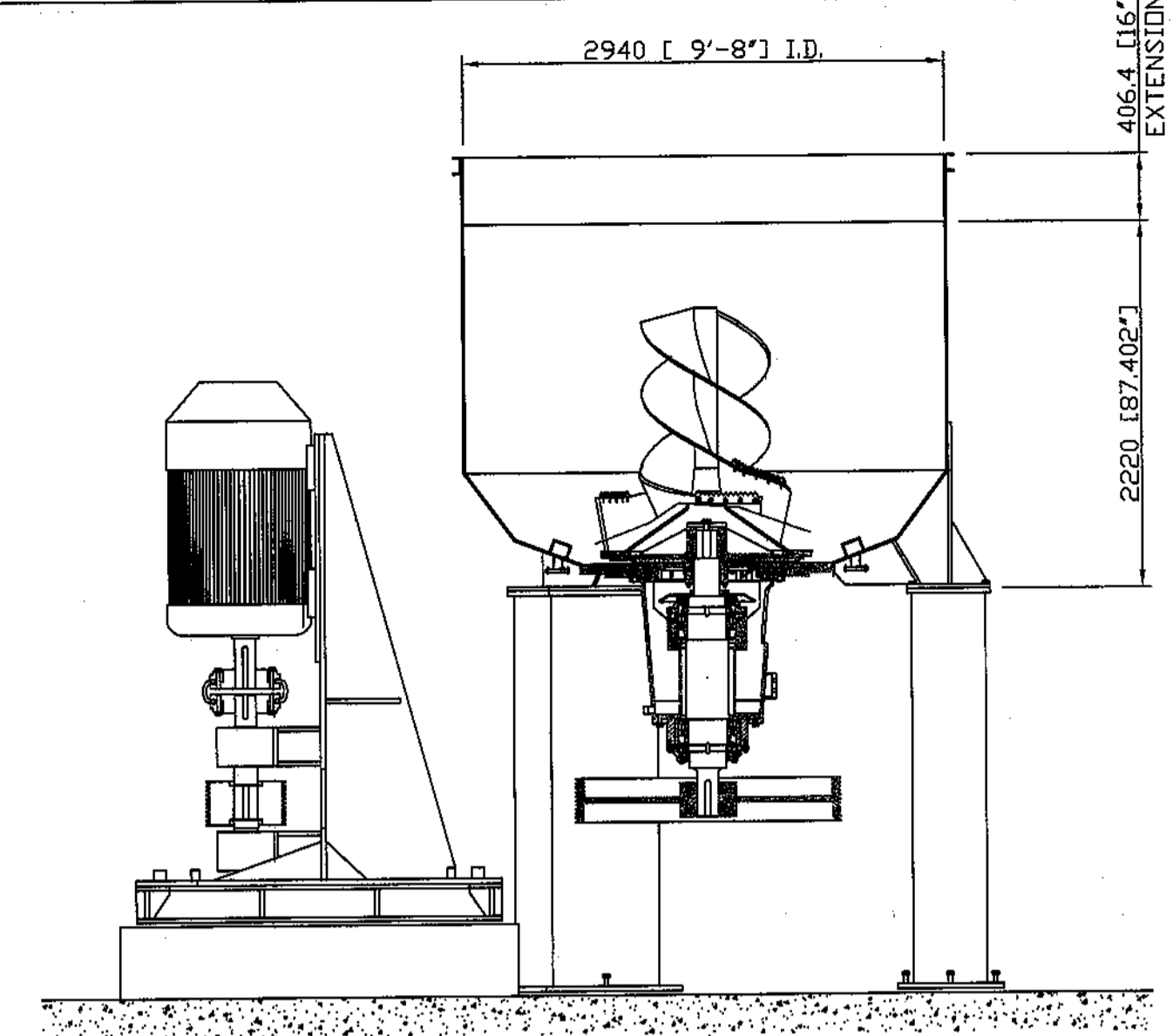


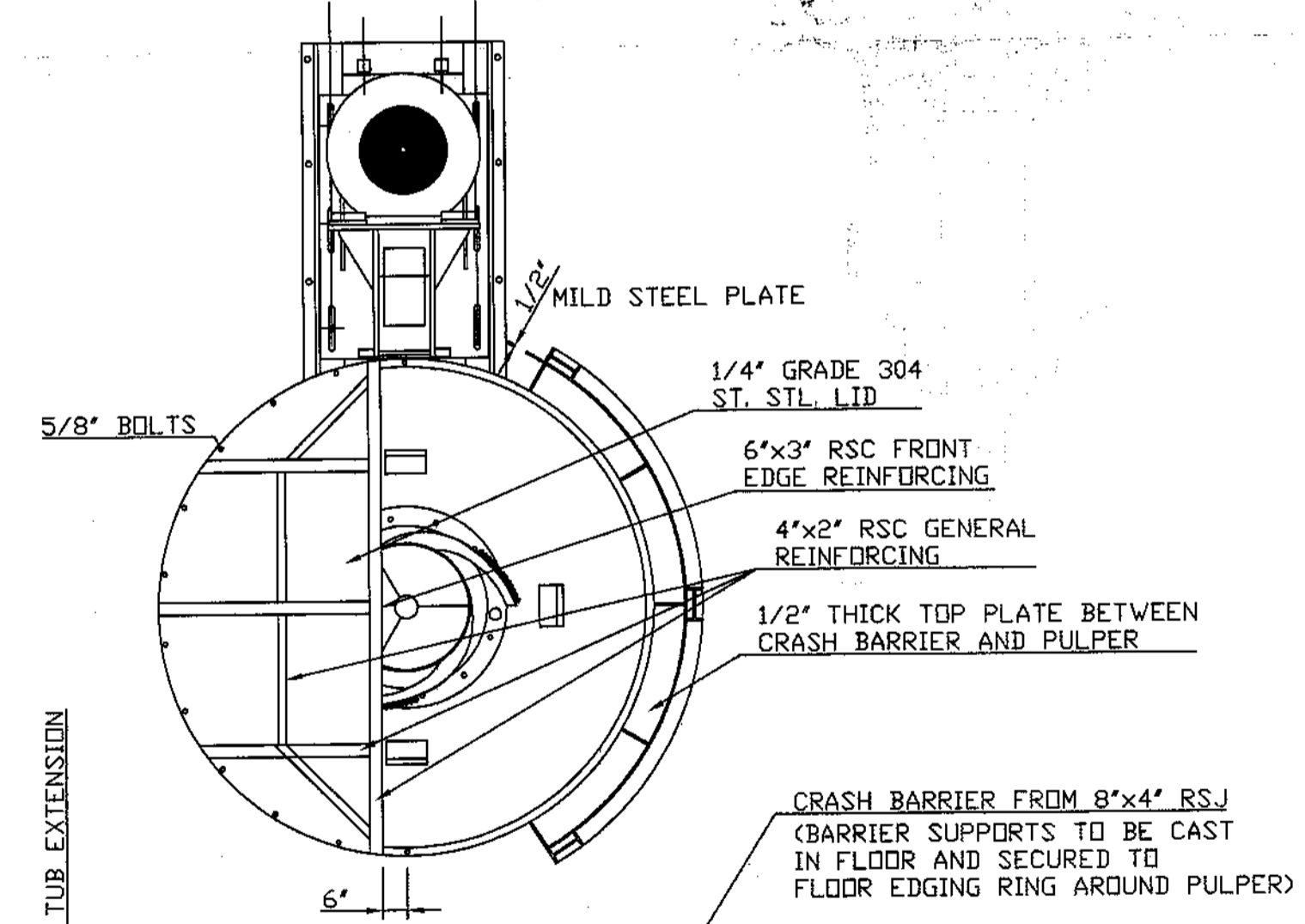
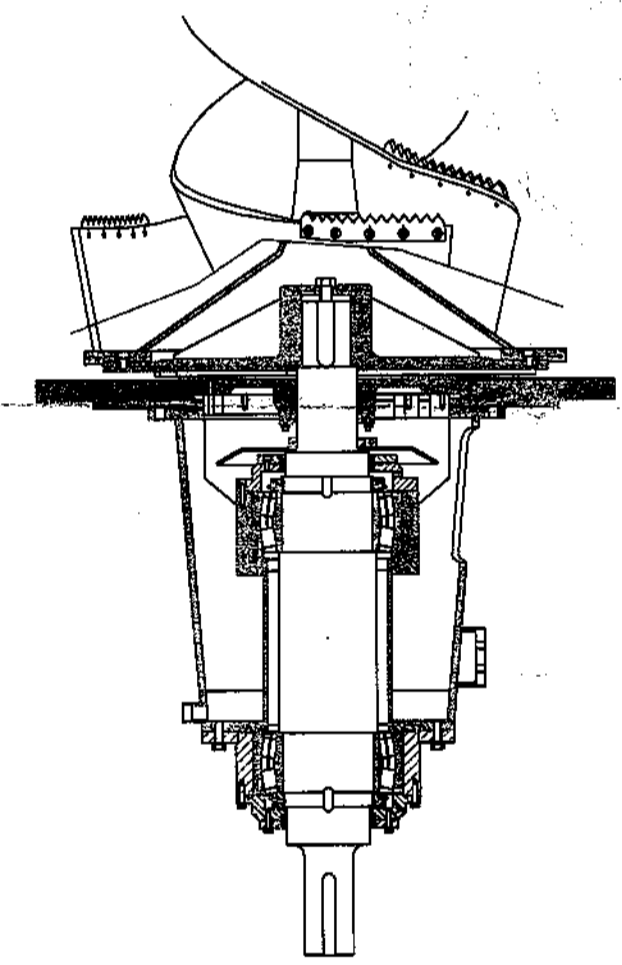
THIRD ANGLE PROJECTION

DO NOT SCALE

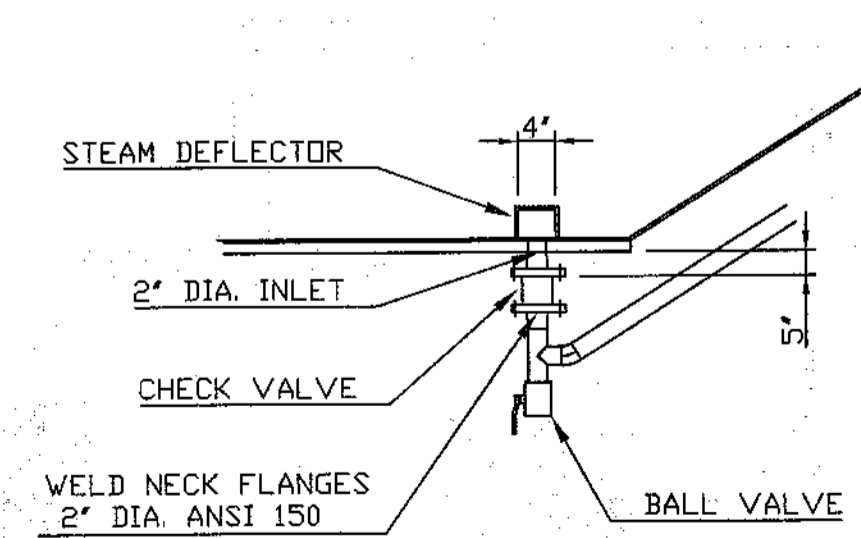
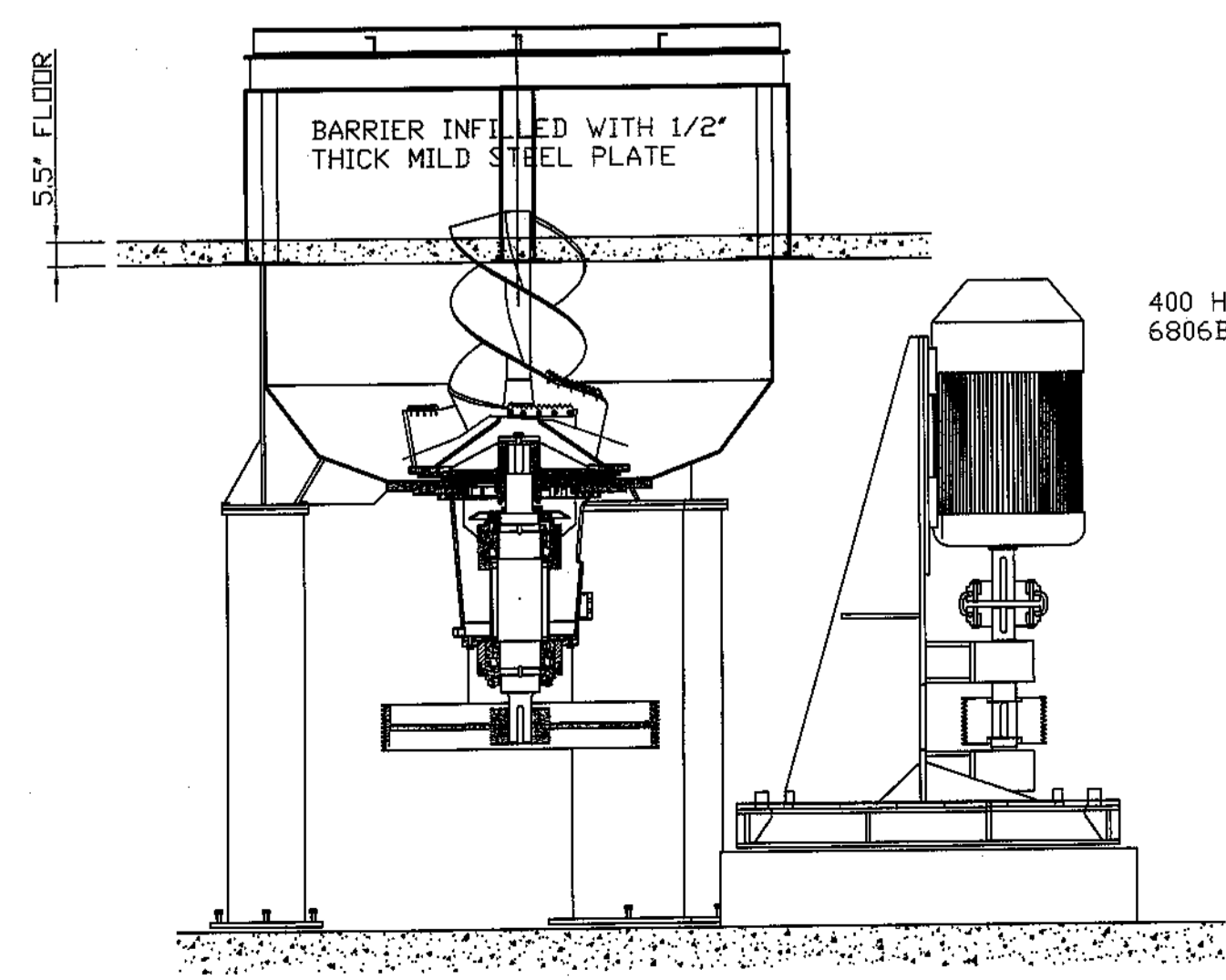
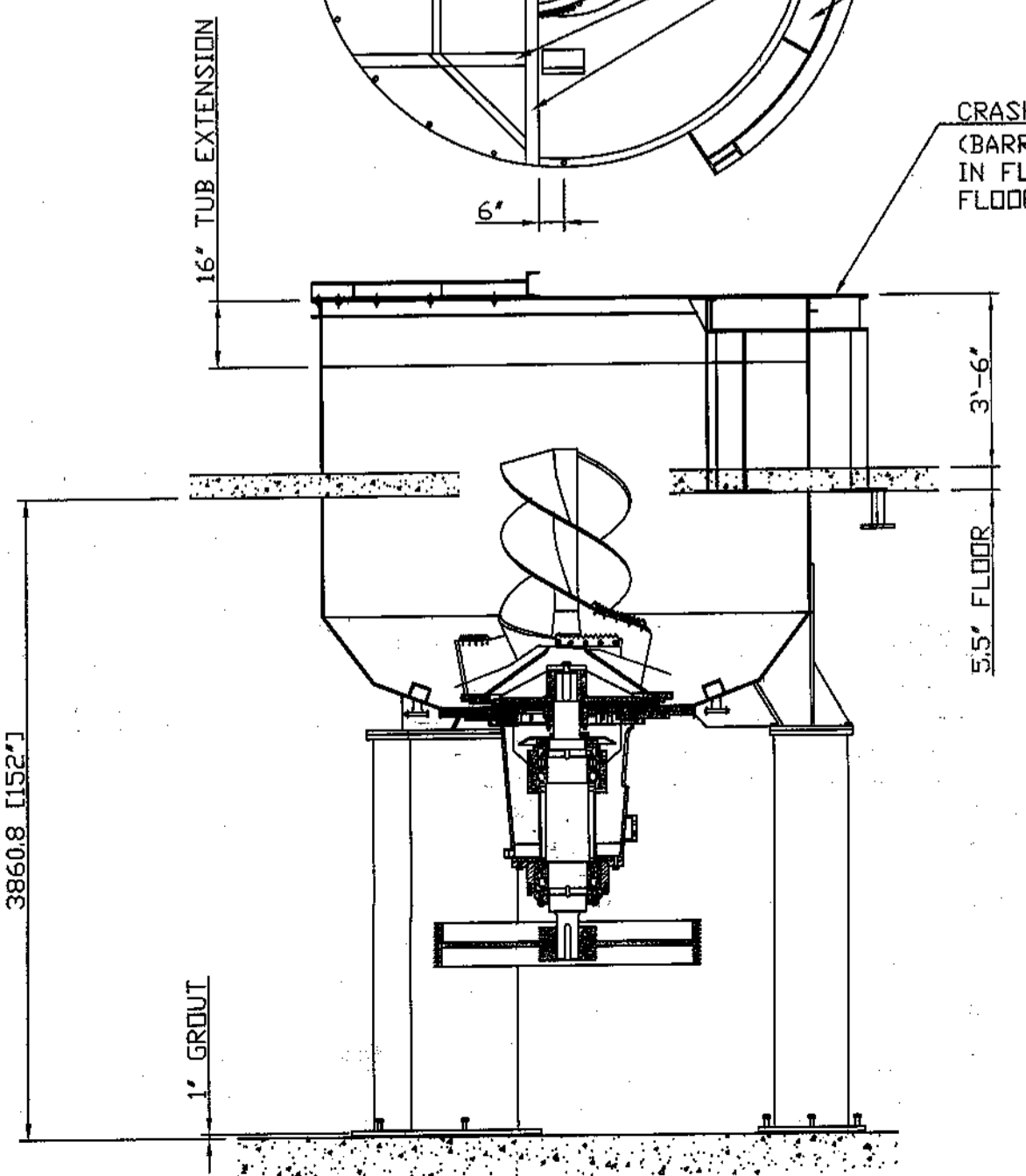
REMOVE ALL BURRS



DRIVE DETAILS :- MOTOR 400 HP 588 RPM  
 MOTOR SHEAVE 475mm PCD  
 DRIVEN SHEAVE 1610mm PCD  
 ROTOR SPEED 173 RPM  
 DRIVE BELTS SPC 9,000 [10]



CRASH BARRIER FROM 8"x4" RSJ  
 (BARRIER SUPPORTS TO BE CAST IN FLOOR AND SECURED TO FLOOR EDGING RING AROUND PULPER)



TYPICAL STEAM INJECTION ASSEMBLY (4 PLACES)

NOTE :- THIS DRAWING SUPERCEDES ALL OTHER DRAWINGS/INFORMATION PREVIOUSLY ISSUED AGAINST THIS PROJECT No. 956

ISSUE	MODIFICATION	DATE	INIT.	CHK'D

UNLESS OTHERWISE STATED		INIT	DATE
ALL DIMENSIONS IN MILLIMETRES	FABRICATION TOLERANCE ± 1.5	W.F.	4.8.04
MACHINING TOLS	± 1.0	CHK'D BY	
X	± 0.5	SCALE	1:40
XX	± 0.25	SURFACE FINISH TO BE	3.2
XXX	± 0.10		
TITLE		DRAWING No. 956	
10'-0" HI-CON PULPER ARRANGEMENT MUNKSJO		CH947	
BLACKBURN MILL HILL ENGINEERING LTD.		SPRING BANK MILL ALBERT ST. MILL HILL BLACKBURN LANCs. BB2 4BL ENGLAND	