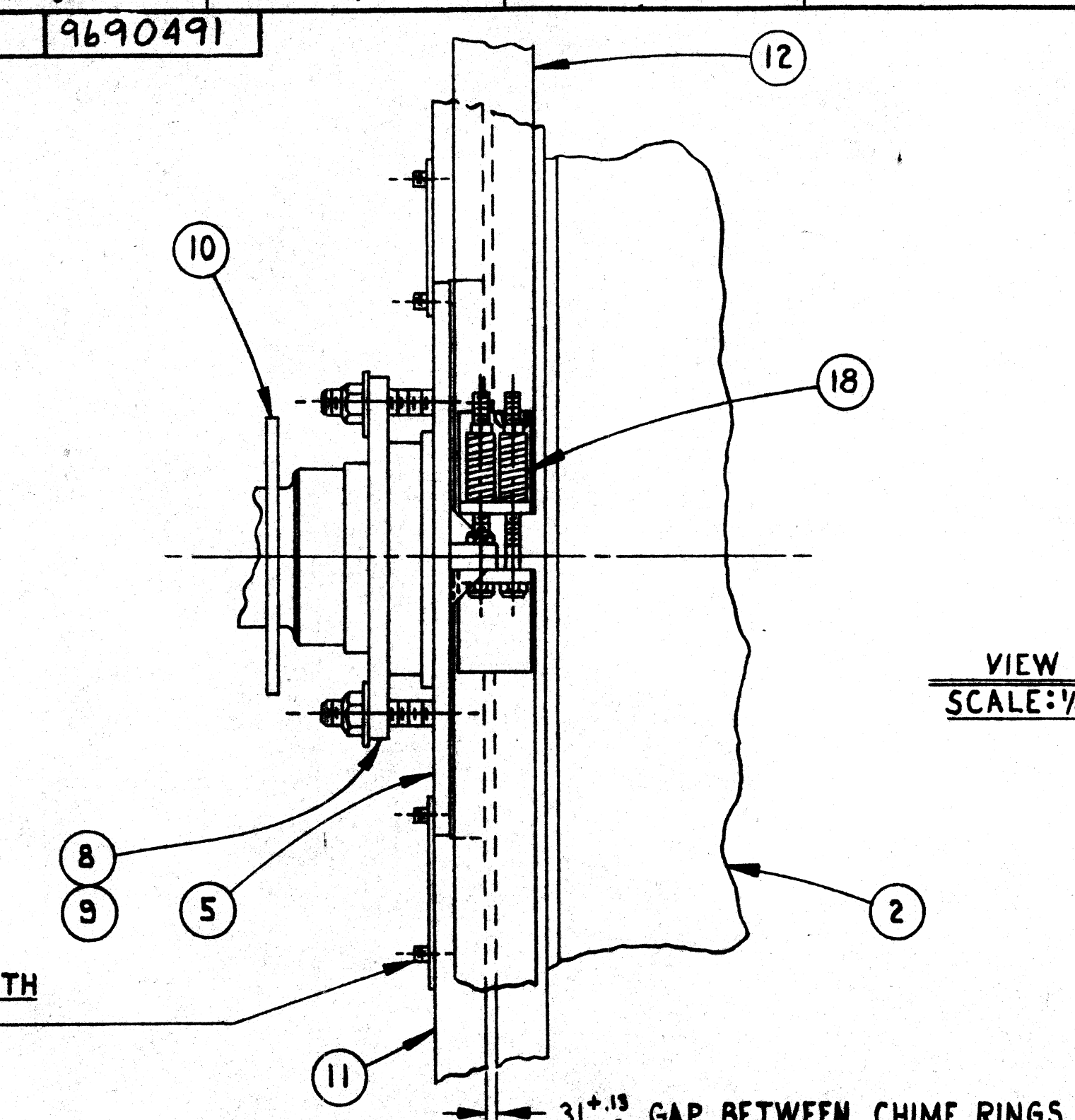


DIV.	DATE	USED ON



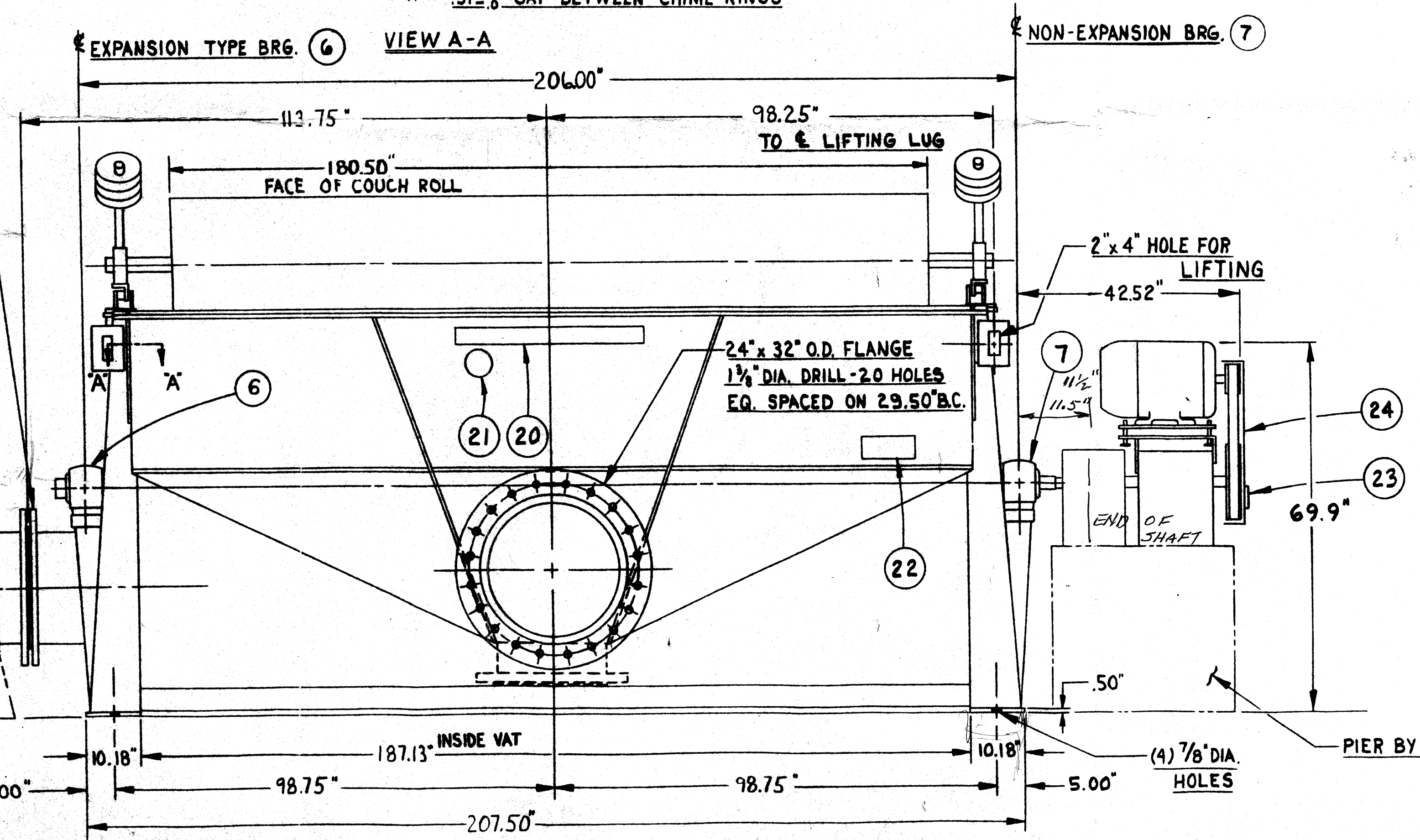
NOTE: PIN PILLOW BLOCK BRG'S TO VAT, AFTER CYL. MOLD & COUCH ROLL ARE ALIGNED

THIS DRAWING IS ISSUED TO CERTIFY THE DIMENSIONS OF EQUIPMENT SUPPLIED BY BLACK CLAWSON

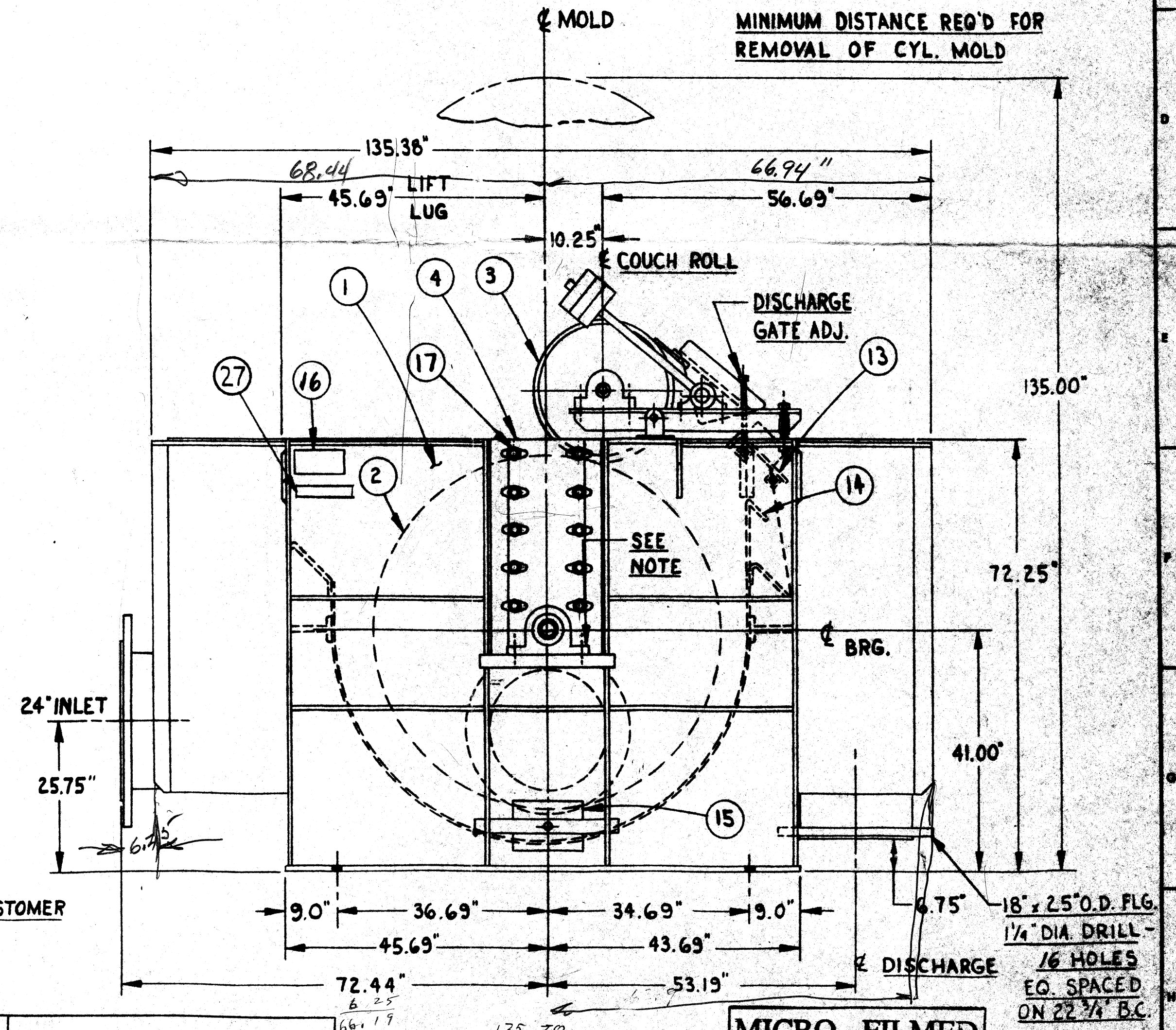
CUSTOMER Michigan Paperboard Corp.
MILL Billore, Mich.
CUSTOMER ORDER 28978
SHARTLE ORDER 9690491
THE BLACK CLAWSON CO.
SHARTLE DIV.
MIDDLETOWN, OHIO
DATE OF CERTIFICATION 11/28/90

SEAL VAT CHIME RING BOLTS WITH PERMATEX #2 AT ASS'Y

WHITE WATER DISCHARGE
20" x 27.5" O.D. FLANGE
1/4" DIA. DRILL - 20 HOLES
EQ. SPACED ON 25.0" B.C.



LEVEL CONTROL BOX (OPTIONAL)



TOTAL QUANTITY	UNIT	MATERIAL	CODE	DWG. NO.	ITEM	DESCRIPTION	TOTAL QUANTITY	UNIT	MATERIAL	CODE	DWG. NO.	ITEM	DESCRIPTION
1		316L STN.STL.	C-189412	12	GARTER STRAP		1		POLYESTER	1500142	24	ASSY DRIVE	
1		316L STN.STL.	C-189411	11	CHIME RING FOR VAT		1		POLYESTER	1500147	22	CAUTION PLACARD	
2		NEOPRENE	98 C-177840	10	FLINGER RING		2		ZINC	1500017	21	CORP. EMBLEM	
REF. BY CUST.				9	PACKING 3/8" SQ. x 77" LG.		2		ZINC	1500017	20	CORP. NAME PLATE	
2			R-189410	8	PACKING GLAND		1		PLASTIC	1503293	19	IMPORTANT SAFETY INSTRUCTION	
1			1500775	7	BRG. 4 7/16" DRIVE END SAF 22526CA		REF.		316L STN.STL.	A-189649	18	GARTER STRAP CLIP	
1			1500773	6	BRG. 4 7/16" FREE END SAF 22526CA		24		ASTM A48 CL 25	D-34246-B	17	CLAMP	
1		316L STN.STL.	C-189409	5	PACKING BOX END COVER		1		ZINC	1500486	16	MULTI-PURPOSE NAMEPLATE	
1		316L STN.STL.	C-189408	4	PACKING BOX END COVER		2		STEEL	B-189415	15	CLEAN OUT DOOR KIT	
1			3011795	3	25" COUCH ROLL & DOCTOR ASSY		1		316L STN.STL.	3011796	14	DISCHARGE GATE	
1		316L STN.STL.	3011806	2	60" DIA. CLY. MOLD x 180 LG.		1		316L STN.STL.	2.006821	13	DOCTOR SHELF	
1		316L STN.STL.	3011788	1	VAT ASSY								

Cylinder Mold wt. 5,500 lbs
SHIPPING WEIGHT - 23500 LBS.
NORMAL OPERATING WEIGHT - 32500 LBS.
MAX OPERATING WEIGHT - 50000 LBS.

CONFIDENTIAL
This document, including all information contained herein, is the exclusive and confidential property of The Black Clawson Company of Middletown, Ohio, and the document and information are not to be copied, reproduced or delivered to others in whole or in part, except with express written permission and the document is to be returned promptly after having served the purpose for which delivered.

MICRO - FILMED

Equipment No. 1755 & 1754 A-1590

CUSTOMER MICHIGAN PAPERBOARD

SER. NO. 90-CT-277 SHOP ORDER 9690491

90-27-276 THE BLACK CLAWSON COMPANY MIDDLETOWN, OHIO

Shartle Division / Stock Preparation Systems / Picking Division / Pulp Mill System

DATE 11-1-90 SUBJECT ASSY 60" DIA. x 180" FREE-FLO

SCALE NONE THICKENER WITH 25" DIA. COUCH ROLL

DRAWN BY JSM
CHECKED [Signature]
APPROVED [Signature]

714 9690491

NO FINISH NORMALLY REQUIRED. CLEAN UP ONLY TO MAINTAIN DIMENSIONAL STABILITY OR TO REMOVE UNUSUAL SURFACE IRREGULARITIES.

SUPERSEDED BY DATE BY
SUPERSEDES DATE BY