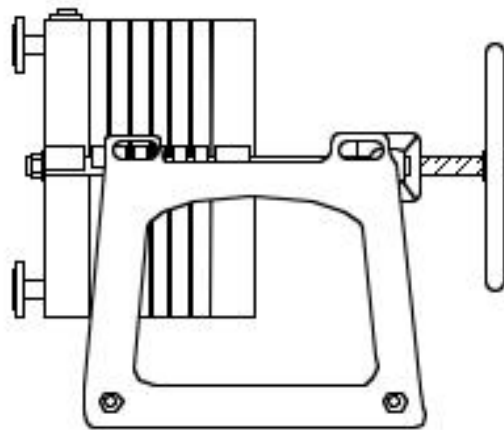


COPRINOX

FILTER

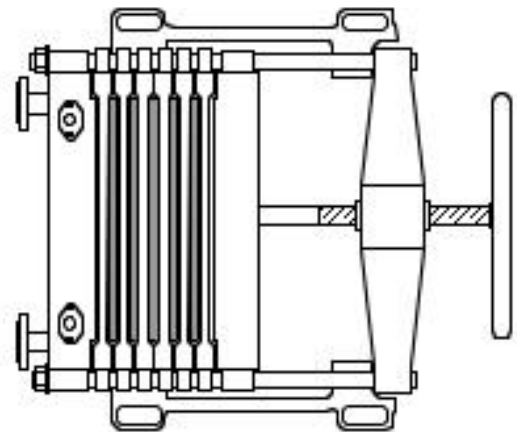
Code n° FX 002 0122 Location ref: C4



590

710

660

FILTERING SURFACE m² 1,8

SHELL SIDE

JACKET/COIL SIDE

Design Pressure KG/cm²

Design Temperature °C

Material

FILTER TYPE: Filter pressCake volume liters: 1
Filtering elements n° 5 Thickness mm: 13Installed power HP: _____
Drive speed RPM: _____ANCC or ISPEL certification: NOTAvailability in stock n° 01 units

NOZZLE DIMENSIONS

| Pos | Service | Size inch. |
|-----|---------|------------|
| A | | |
| B | | |
| C | | |
| D | | |
| E | | |

MANUFACTURER: COLUMBIT

- USED
 USED RECONDITIONED
 UNUSED

NOTE Piastre in alluminio

WEIGHT (approx) Kg _____