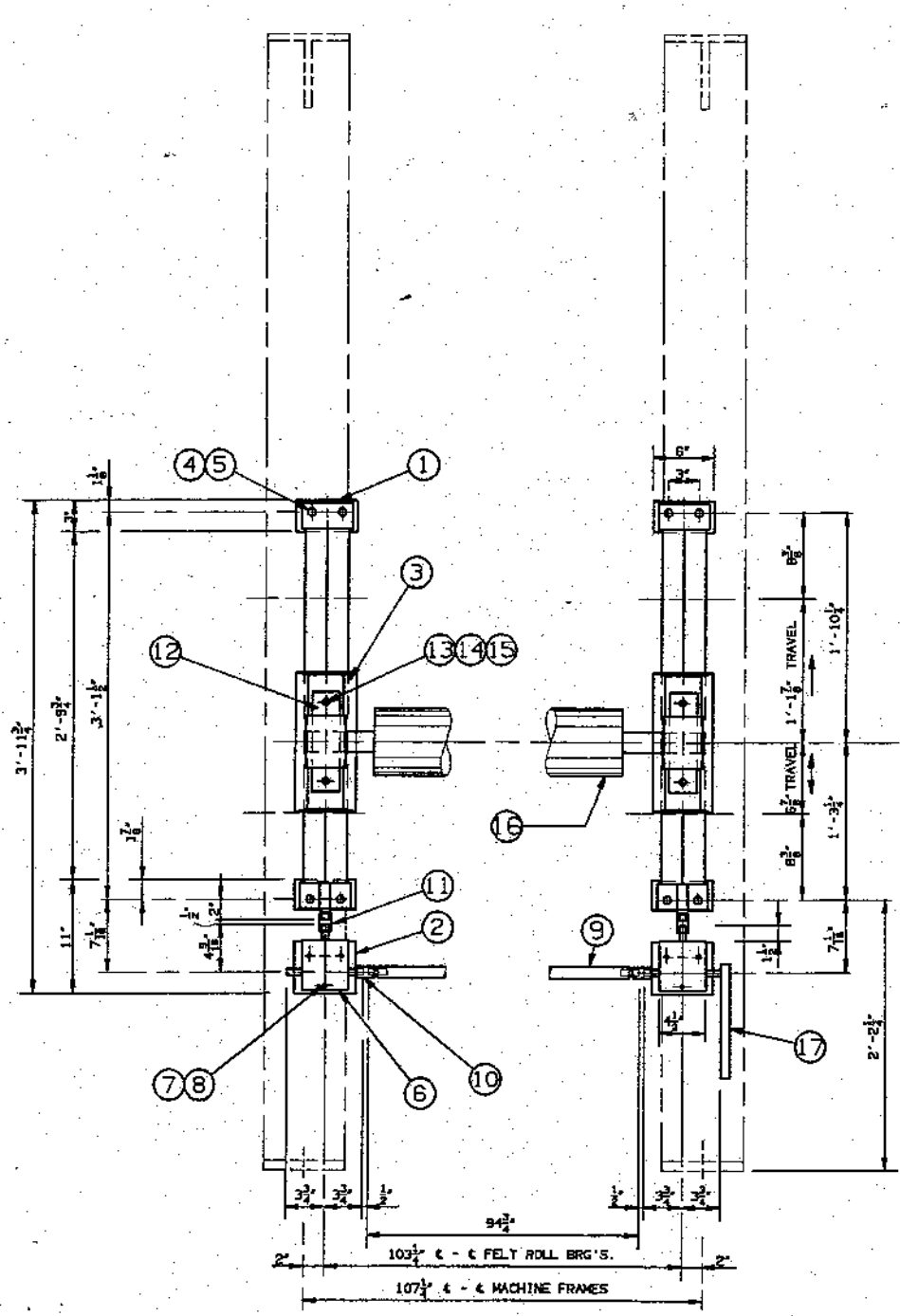
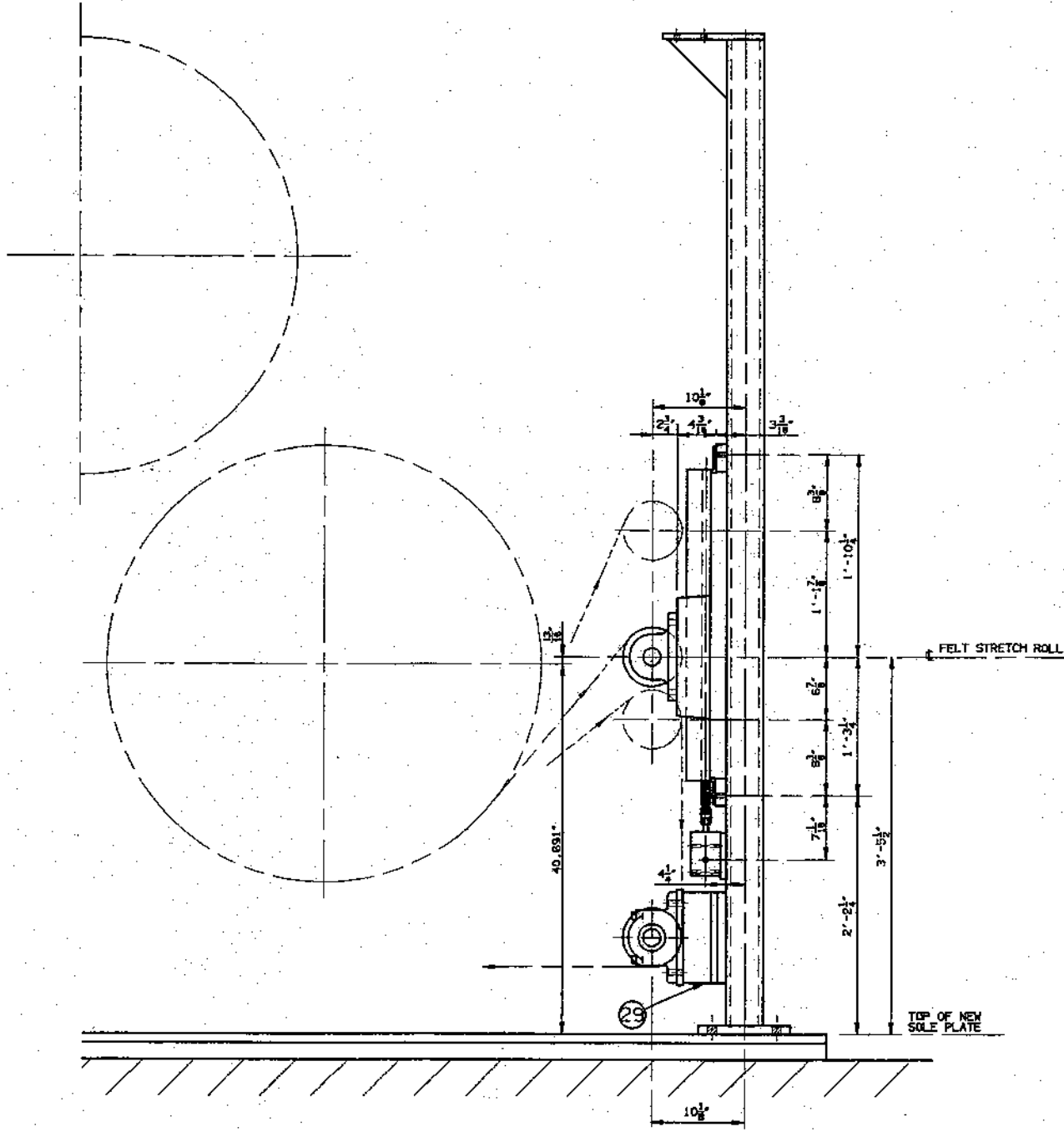


BILL OF MATERIALS/ASSEMBLY			
PART NO.	QTY.	DESCRIPTION	DRAWING
1	2	TOP SUPPORT PLATE	94-643-21
2	2	BOTTOM SUPPORT PLATE	94-643-21
3	2	L 3 PROTECTED SCREW TAKE-UP FRAME SIZE 45419 - 20" TRAVEL	BY MILL
4	8	3/8" Ø HEX HEAD BOLTS X 1 1/2" LG.	BY MILL
5	8	3/8" LOCK WASHERS	BY MILL
6	2	DALTON RIGHT ANGLE BEVEL GEARBOX RATIO 2:1:1	BY MILL
7	6	5/16" Ø HEX HEAD BOLTS X 3 3/8" LG.	BY MILL
8	6	5/16" LOCK WASHER	BY MILL
9	1	CROSS SHAFT	94-643-23
10	2	COUPLING LO SCORERS LOAD 1/2 LOWSJOY HUB NO. K3 UPC10214 BORE BOTH 1/2" Ø NOTE: 1/2" OF COUPLING TO BE BORED 1/2" Ø. SOLE TO MATCH SCREW TAKE-UP	BY MILL
11	2	COUPLING LO SCORERS LOAD 1/2 LOWSJOY HUB NO. K3 UPC10214 BORE BOTH 1/2" Ø	BY MILL
12	2	30° SPHERICAL ROLLER BRG. NO. SAF 22511CA 1 1/2" Ø 1 HELD & 1 FREE	BY MILL
13	4	3/8" Ø HEX HEAD BOLTS X 1" LG.	BY MILL
14	4	3/8" Ø PLAIN WASHER	BY MILL
15	4	3/8" LOCK WASHER	BY MILL
16	1	63" Ø X 94" FELT ROLL	BY MILL
17	1	HEAVY DUTY REVERSIBLE RATCHET WRENCH MONSTER-CARR CATALOG NO. 2278A113 ROUND BORE SIZE 1 1/2" KEYWAY	BY MILL



ELEVATION



T.S. VIEW

ASSEMBLY BOTTOM FELT STRETCH

(3) ASSEMBLIES REQ'D. 1/8" = 1'-0"

**POTASH-DELMOLINO-DAVIS INC.**  
Industrial Design Services  
Delfon, Mass. 01226

**RISING PAPER COMPANY**  
HOUSATONIC, MA 01236

NO. 1 P.M. DRYER SECTION  
MODIFICATIONS AS NOTED

DATE 02-09-95

REV.	DESCRIPTION	DATE	BY