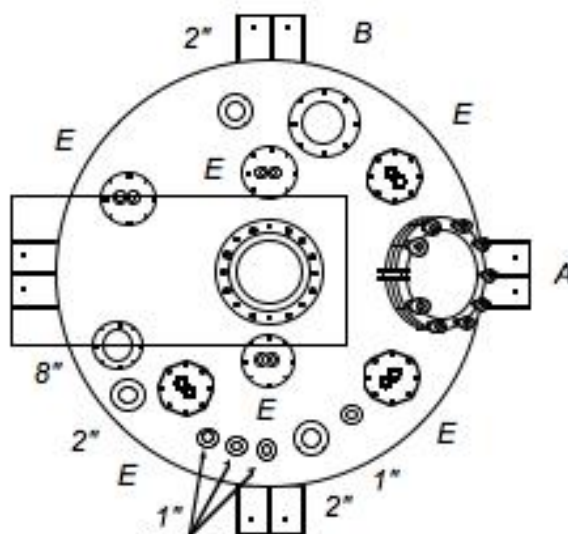
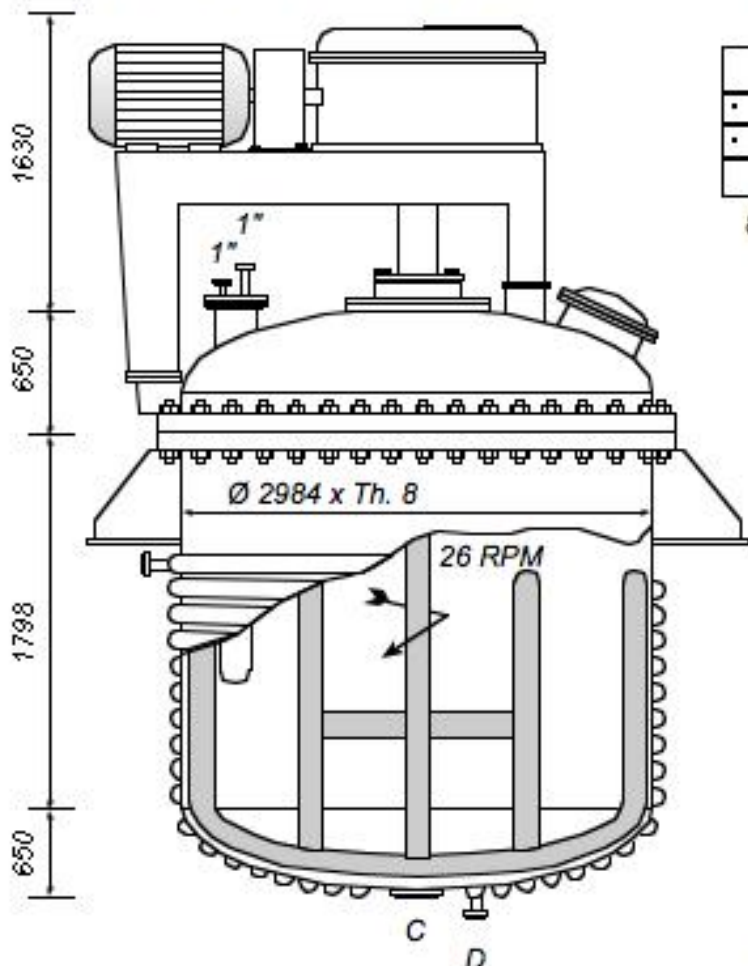


COPRINOX

AGITATED VESSEL

Code n° RASC 180 1081

Location ref: 98 A2

4 Poli - 45 KW - 60 HP - 26 RPM
8 Poli - 33 KW - 45 HP - 13 RPMN° 6 Tubi Ø 168 x 2.000 (lungh. media)
Superficie di scambio tot.: 6 mq.

R 1099

CAPACITY LITERS <u>18.000</u>	SHELL SIDE	JACKET/COIL SIDE	
Design Pressure KG/cm2 Design Temperature °C Material	2,5 AISI 304	3,5 Carbon Steel	
ANCC or ISPESL certification: <u>MI 309476</u> Availability in stock n° <u>05</u> units	NOZZLE DIMENSIONS		
MANUFACTURER: <u>F.B.M.</u>	Pos	Service	Size inch.
<input checked="" type="checkbox"/> USED <input type="checkbox"/> USED RECONDITIONED <input type="checkbox"/> UNUSED	A	Man hole	20"
	B	Vapours outlet	12"
	C	Product outlet	10"
	D	Heating medium in-out	2"
	E	N° 6	8"
WEIGHT (approx) Kg <u>12500.</u>	NOTE	R 1082/1083/1084/1099	