

# Series 1100, 1200, and 1300 Rotary Mounts



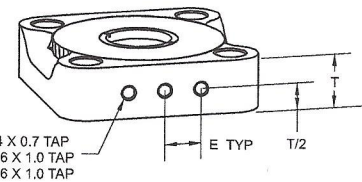
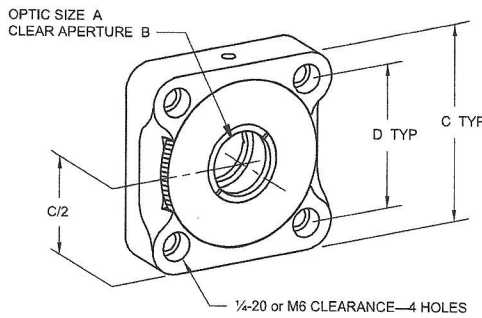
**Series 1100, 1200, and 1300 Rotary Mounts** are designed to hold  $\varnothing$  .50" to  $\varnothing$  3.0" optics. They are accurate, inexpensive solutions to the problem of rotating an optical component and locking it into place.

Double thrust bearing construction is used for smooth rotation and rigidity. A laser-engraved vernier scale aids in accurate setting. The optic cell is threaded through, and the optic is held in place with two threaded retaining rings and two delrin cushion washers.

Beamsplitting cubes and birefringent polarizers can be conveniently mounted using a compatible adapter. See our **Optical Mounts** catalog for a large selection of adapters.

For variable-height mounting, use our standard **Series 50, 60, 70, and 75 Post, Post Holders and Pedestals**.

Call CVI to request your complete **Optical Mounts** catalog,  
**1-800-296-9541**



## Series 1100 Rotary Mounts

Model	1100-05	1100-06	1100-10
A — Optic Size	$\varnothing$ .50"	$\varnothing$ 15mm	$\varnothing$ 1.00"
B — Clear Aperture	.40"	.50"	.87"
C — Height	2.75"	2.75"	2.75"
D — Spacing	2.00" (50mm)	2.00" (50mm)	2.00" (50mm)
E — Spacing	.50" (12.5mm)	.50" (12.5mm)	.50" (12.5mm)
T — Thickness	.75"	.75"	.75"

Add 'M' for metric model—i.e. 1100-10M.

## Series 1200 Rotary Mounts

Model	1200-12	1200-15	1200-20
A—Optic Size	$\varnothing$ 30mm	$\varnothing$ 1.50"	$\varnothing$ 2.00"
B—Clear Aperture	1.03"	1.37"	1.82"
C—Height	3.75"	3.75"	3.75"
D—Spacing	3.00" (75mm)	3.00" (75mm)	3.00" (75mm)
E—Spacing	1.00" (25mm)	1.00" (25mm)	1.00" (25mm)
T—Thickness	1.00"	1.00"	1.00"

Add 'M' for metric model—i.e. 1200-20M.

## Series 1300 Rotary Mounts

Model	1300-29	1300-30
A—Optic Size	$\varnothing$ 75mm	$\varnothing$ 3.00"
B—Clear Aperture	2.65"	2.70"
C—Height	4.75"	4.75"
D—Spacing	4.00" (100mm)	4.00" (100mm)
E—Spacing	1.00" (25mm)	1.00" (25mm)
T—Thickness	1.10"	1.10"

Add 'M' for metric model—i.e. 1300-30M.