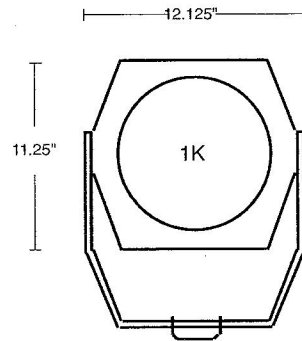


SPECIFICATIONS

Head Length	17.00"
Head Width	12.125"
Head Height	11.25"
Overall Height w/Yoke	30.625"
Height of Pivot Point	25.00"
Horizontal Sweep	360°
Lamp	1,000 Watt Xenon
Power Requirement	120 Volts
Weight of Head and Yoke	52 lbs.



SILVERBEAM MODELS

- PSL-9/S/1K (Standard)
- PSL-9/MP/1K (Motion Picture)
- PSL-9/A/1K (Architectural)

APPLICATIONS

- Advertising, Theatrical, Concert Tours
- Motion Picture/Television, Photography
- Full Time Outdoor Applications

PRELIMINARY PHOTOMETRICS

Distance in Feet	Diameter	Beam Angle	Footcandles
Position #1	VNSP – Maximum Beam Candlepower		
50	12 inch	Collimated	14,500
100	14 inch	Collimated	3,625
200	18 inch	Collimated	906
Position #2	NSP – Average Beam Setting		
50	14 inch	1.5 Degrees	9,500
100	24 inch	1.5 Degrees	2,375
200	36 inch	1.5 Degrees	600
Position #3	WFL – Wide Angle Setting		
50	5 feet	10 Degrees	1,750
100	10 feet	10 Degrees	438
200	25 feet	10 Degrees	110

PHOEBUS MANUFACTURING

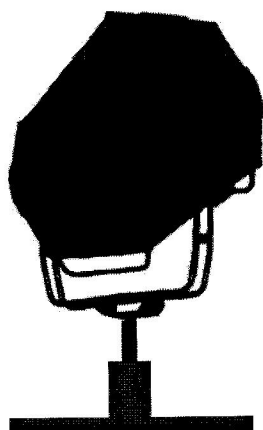
2800 THIRD STREET
SAN FRANCISCO, CA 94107
TEL: 415 550 1177
FAX: 415 550 2655
www.phoebus.com

Effective January 1, 2008



ARCHITECTURAL FIXED BEAM SYSTEMS

SYSTEM PRICE INCLUDES: Head, 15' Head Extension Cable, Magnetic Ballast* in Weather Resistant Metal Enclosure, 15' Power Feed Cable, Xenon Lamp & Yoke. All Architectural Systems are assembled with Stainless Steel Hardware, are equipped with an Auto-Strike Feature and are ETL® approved as "Suitable for Wet Locations".



Floor Pod



<u>MODEL #</u>	<u>DESCRIPTION</u>	<u>LIST PRICE</u>
PSL-9/AM/1K	9" 1000 Watt	\$9,997.00
PSL-14/AM/2K	14" 2000 Watt	14,500.00
PSL-20/AM/4K	20" 4000 Watt	17,400.00
PSL-20/AM/7K	20" 7000 Watt	20,930.00

XENON SEARCHLIGHT ACCESSORIES

<u>MODEL #</u>	<u>PSL-9</u>	<u>PSL-14</u>	<u>PSL-20</u>
HANGING YOKE KIT (Upgrade)	175.00	175.00	175.00
FLOOR POD	285.00	285.00	285.00
MOTOR ZOOM	N/A	545.00	545.00
SPIGOT	60.00	60.00	60.00
MOTORIZED SHUTTERS	2,748.00	4,714.00	5,496.00