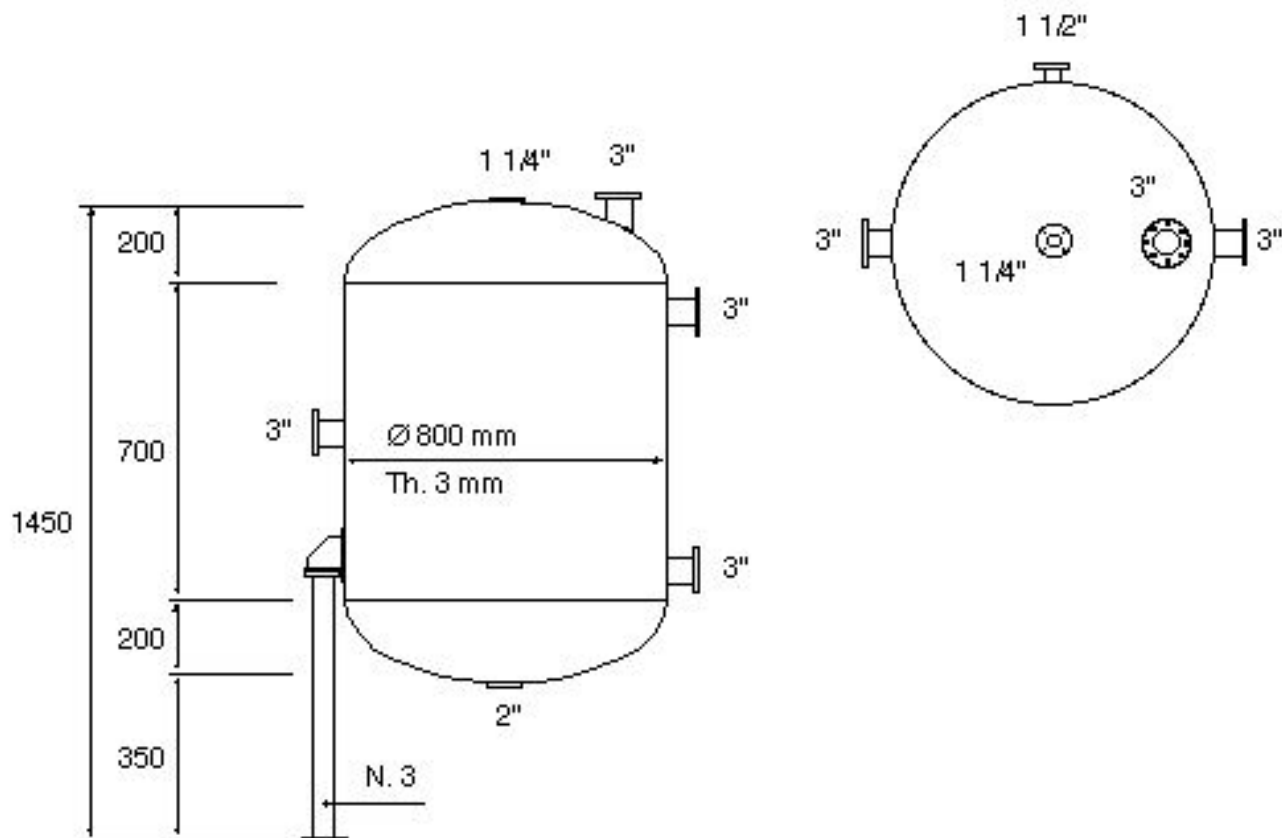


COPRINOX

VESSEL

Code n° **VV 004 1404**

Location ref: 08 C5



CAPACITY LITERS <u>480</u>	SHELL SIDE	JACKET/COIL SIDE	
Design Pressure KG/cm ² Design Temperature °C Material			
	AISI 316		
ANCC or ISPESL certification: <u>NOT</u> Availability in stock n° <u>01</u> units	NOZZLE DIMENSIONS		
MANUFACTURER _____	Pos	Service	Size inch.
<input checked="" type="checkbox"/> USED <input type="checkbox"/> USED RECONDITIONED <input type="checkbox"/> UNUSED	A		
	B		
	C		
	D		
	E		
WEIGHT (approx) Kg _____	NOTE	_____ _____ _____	