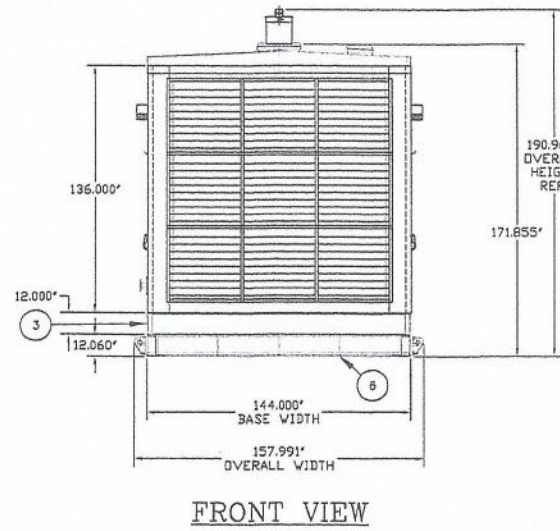
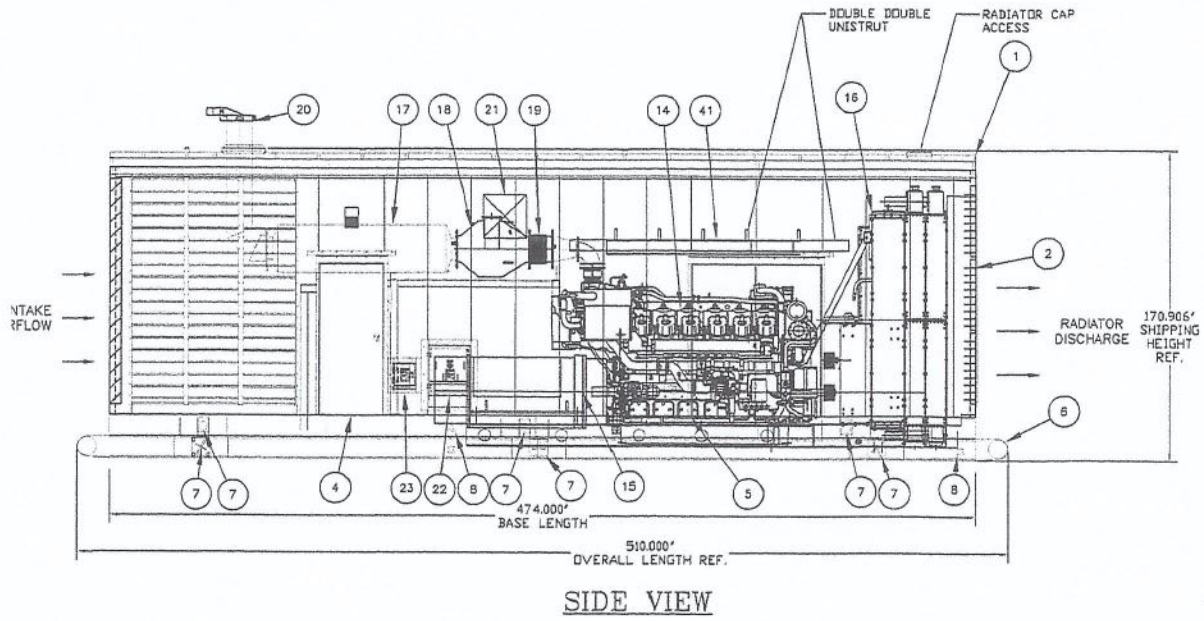


NOTES:
 AIRFLOW REQUIREMENTS
 RADIATOR AIRFLOW - 168,761 CFM
 COMBUSTION AIRFLOW - 4,XXX CFM
 TOTAL AIRFLOW - 50,XXX CFM

CONTROL PANEL REMOTE MOUNTED
 UNIT TO SHIP IN TWO SECTIONS
 ITEM #41 IS SUPPORTED BY DOUBLE DOUBLE UNISTRUT MOUNTED TO THE ENCLOSURE WALL AND DOUBLE DOUBLE UNISTRUT SPANNING FROM WALL TO WALL.

BILL OF MATERIAL				
D.R.	S.L.	ITEM	QTY	DESCRIPTION
		1	1	WEATHER PROTECTIVE ENCLOSURE - GALV. STEEL CONSTRUCTION
		2	1	GRAVITY DISCHARGE DAMPER ASSEMBLY
		3	1	ENCLOSURE LEFT GYI FRAME
		4	2	PERSONNEL ACCESS DOOR - 26" X 84"
		5	2	PERSONNEL ACCESS DOOR - 22" X 84"
		6	1	STRUCTURAL SUB BASE
		7	12	LIFTING PROVISIONS - REMOVABLE
		8	4	GROUND PAD
		9	1	GENERATOR CONTROL PANEL
		10	1	200A CIRCUIT BREAKER
		11	1	ENGINE 1/2 BOX
		12	2	ENGINE STARTING BATTERY SET OF 2
		13	1	TRANSFORMER 300VA 480/208/120V
		14	1	17044001 ENGINE
		15	1	KATO GENERATOR
		16	1	IGA RADIATOR
		17	1	EXHAUST SILENCER
		18	1	EXHAUST CATALYST
		19	1	EXHAUST FLUX - STAINLESS
		X 20	1	EXHAUST ELBOW W/ RAINCAP
		21	1	WALL CONDUIT ACCESS AREA - 34" X 24" GENERATOR LOAD & CONTROL
		22	1	GENERATOR OUTPUT CONNECTION BOX
		23	1	SPARE POWER CONNECTION BOX
		24	1	LOAD CENTER PANEL 27 BRKT 100A 120/200V
		25	1	LOAD CENTER 450V
		26	2	BATTERY CHARGER
		27	1	BEST BATTERY
		28	8	WORKSTATION #2 LIGHT FIXTURE
		29	8	DC LIGHT FIXTURE
		30	2	EMERGENCY LIGHTS
		31	2	EXTERNAL WALL MOUNTED E-STOP
		32	2	EXTERNAL LIGHT SWITCH
		33	2	INTERNAL LIGHT SWITCH
		34	1	SEA DOORWEIGHT
		35	2	DC TOWER
		36	2	EXTERNAL LIGHT
		37	2	GFI
		38	1	NATURAL GAS INPUT
		39	1	DEL TANK
		40	1	AUXILIARY BOX
		41	2	MONORAIL



FINISH COLOR	TAN
ROOF:	QUALITY CARBELL
ENCLOSURE:	QUALITY CARBELL
BASE:	QUALITY CARBELL
EST. BASE WEIGHT:	10,550 LBS
EST. CABINET WEIGHT:	97,775 LBS
EST. ENCLOSURE WEIGHT:	118,025 LBS
EST. MISC. WEIGHT:	2,000 LBS
EST. SHIPPING WEIGHT:	85,350 LBS
EST. WET WEIGHT:	87,975 LBS
APPROXIMATE OVERALL DIMENSIONS	
LENGTH:	433 IN
WIDTH:	157 IN
HEIGHT:	201 IN
MAIN TANK CAPACITY:	N/A GAL
RUPTURE BASH CAPACITY:	N/A GAL
SOUND LEVEL:	WEATHER RATED