

ABGS
Ajami, Bédard, Gagnon, Sexton Inc. Tel: (514) 341-3221
Client: AFCP-001
Project No.: M41169
Equip. No.: 445020
Spec. No.: CONTINENTAL CONVEYER

PROJECT INFORMATION:
ABGS PROJECT No.: AFCP-001
ALLIANCE FOREST PRODUCTS U.S. CORP., Coosa Pines, Alabama
ALLIANCE P.O. No.: 445020

EQUIPMENT No. DESCRIPTION
M41169 CONVEYOR, RECYCLED PULP DILUTION
E41169 MOTOR, RECYCLED PULP DILUTION CONVEYOR

Support No.	LOAD PER SUPPORT		
	EMPTY LBS	OPERATING LBS	FULL LBS
A	3021	3425	5396
B	1713	2117	4088
C	1900	2758	6947

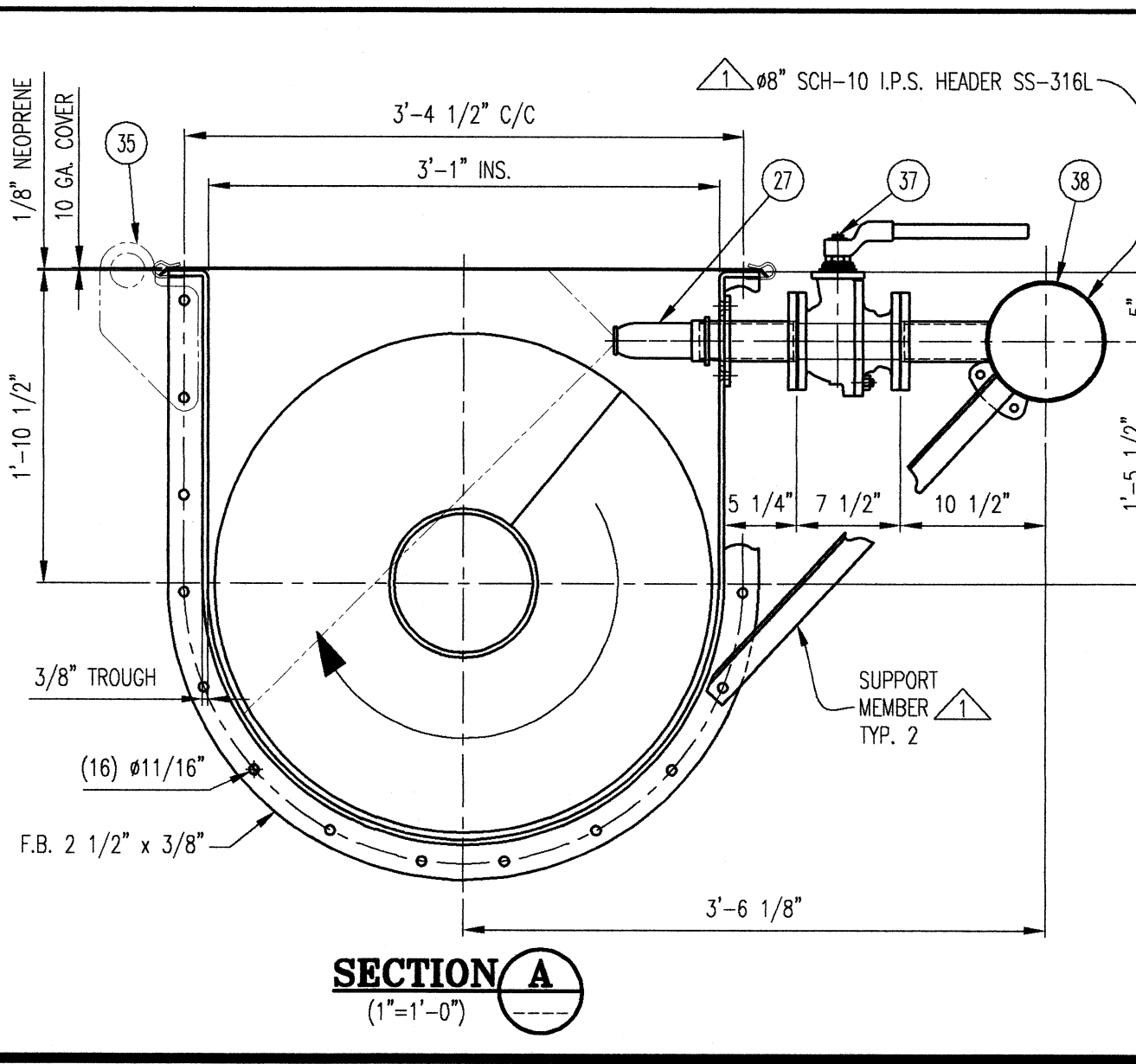
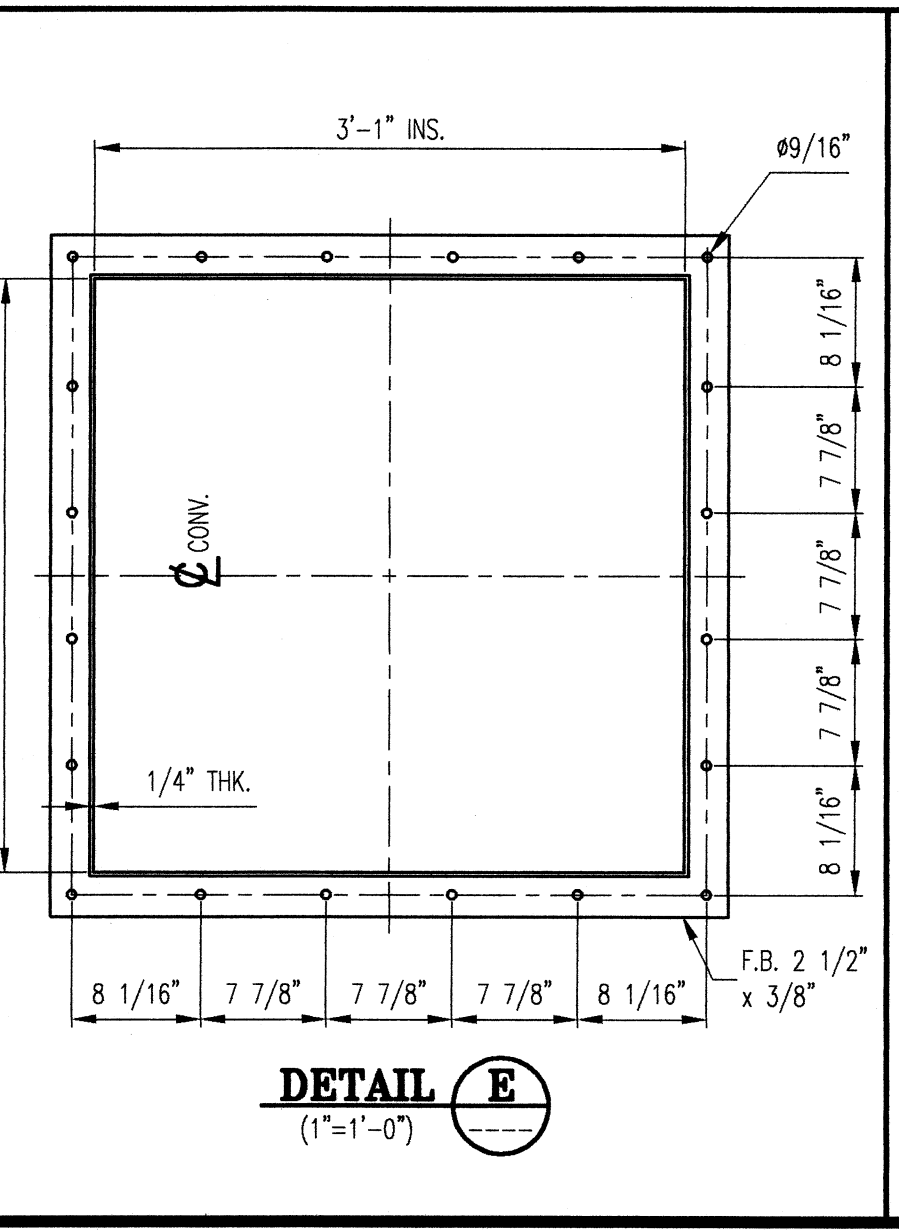
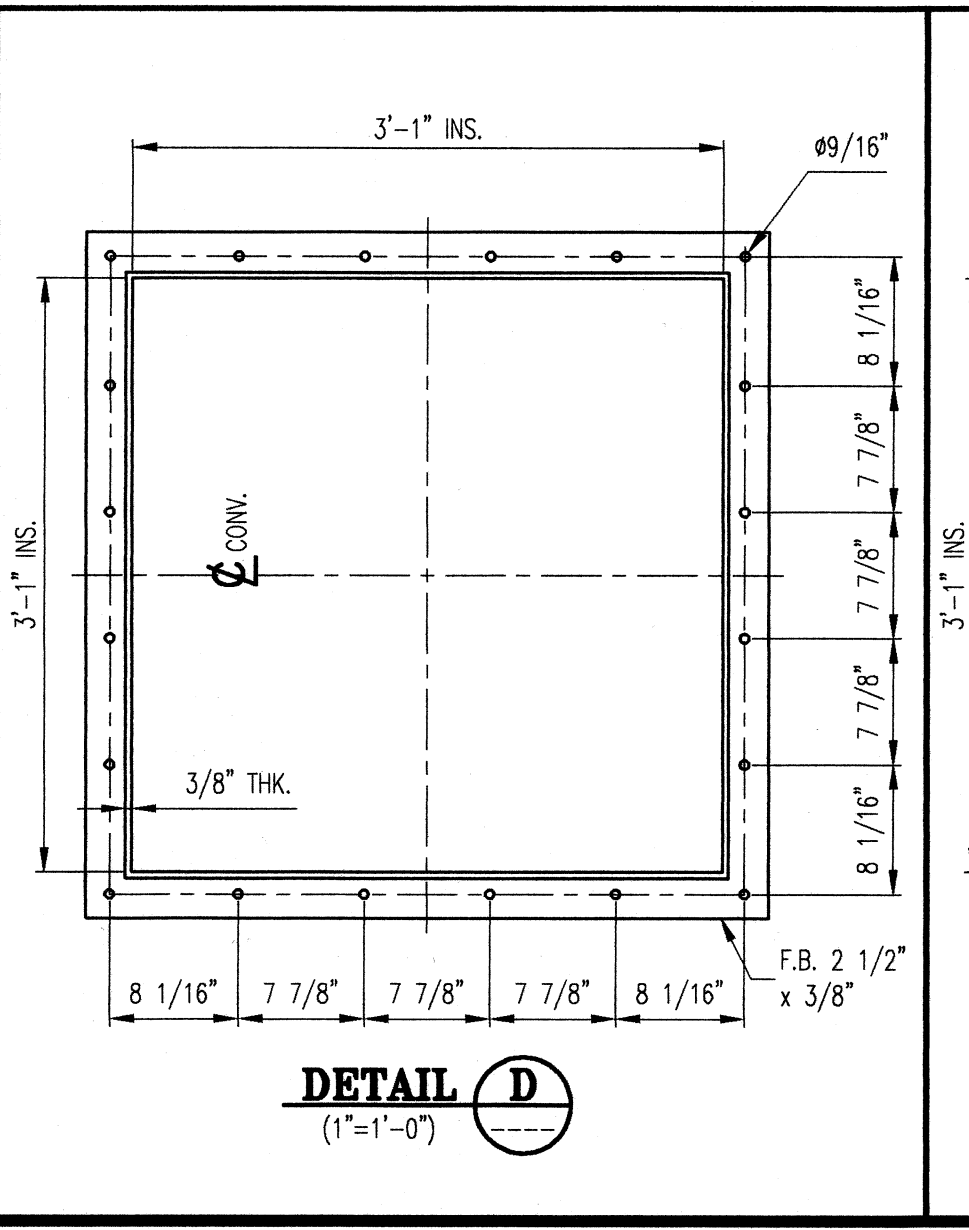
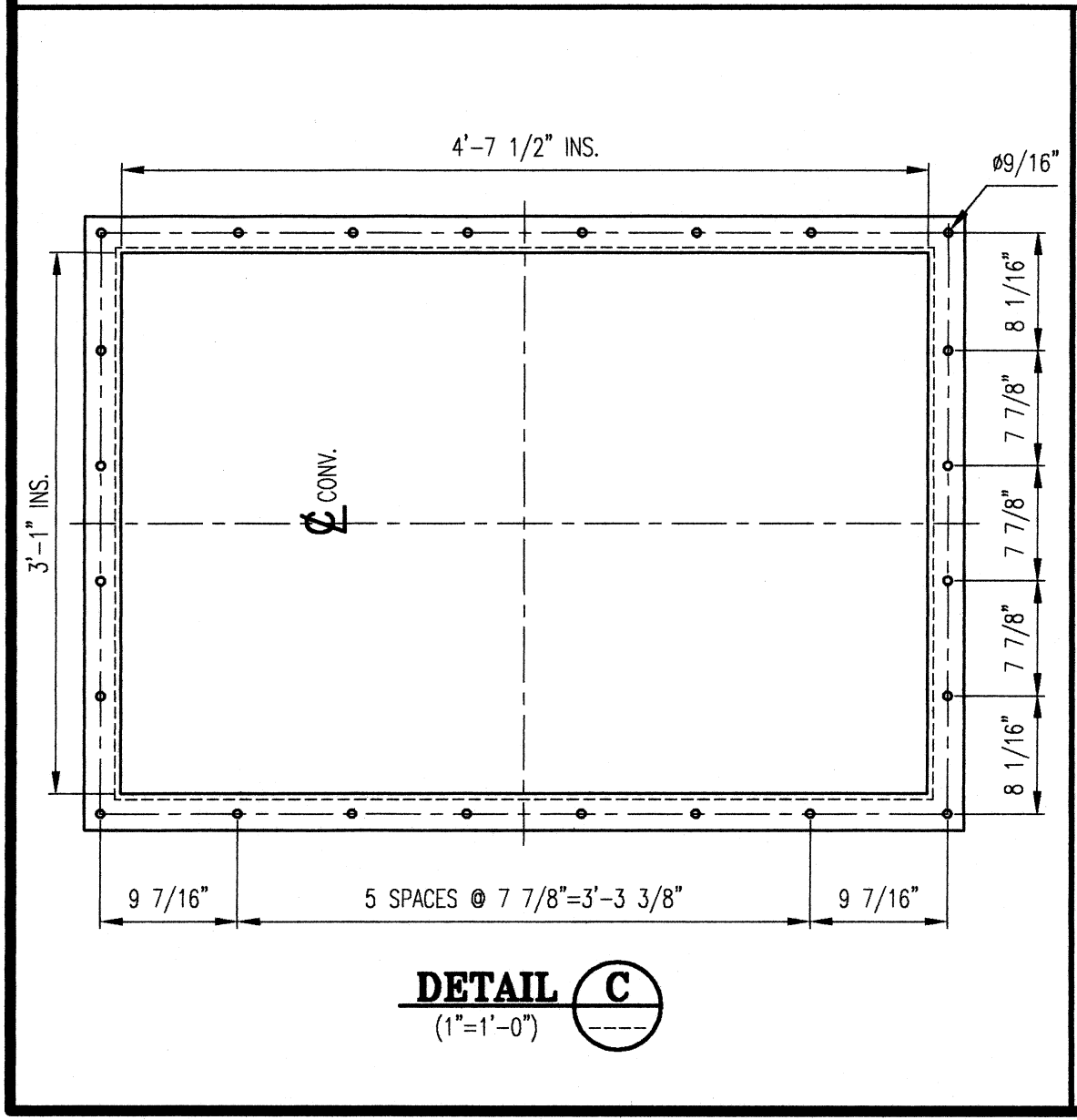
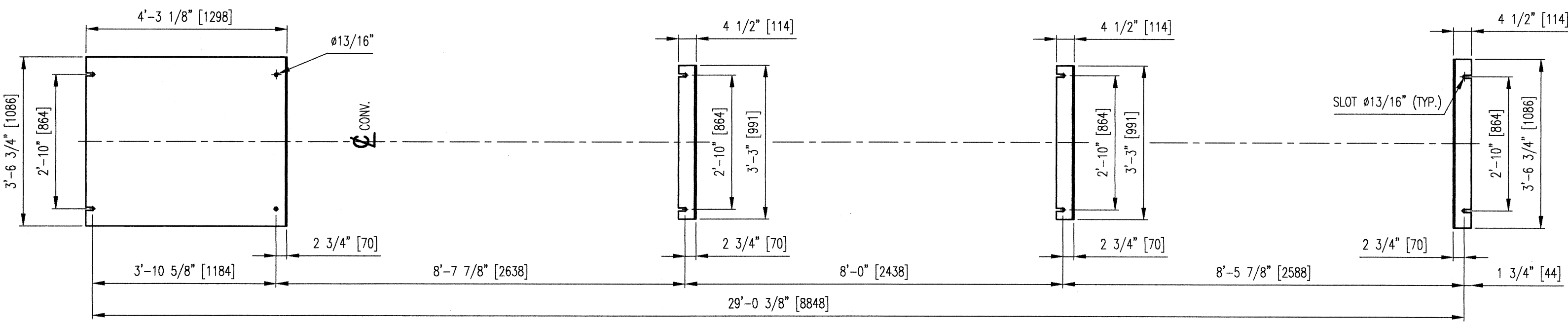
GENERAL INFORMATION
CONVEYOR TYPE: 36" DIA. DILUTION SCREW
CAPACITY: 70.83 BOSTPH
CONVEYED MATERIAL: DEWATERED PULP
MATERIAL DENSITY: 30 LBS/CU.FT.
CONVEYOR SPEED: 60 RPM
MOISTURE CONTENT: 28-30% BY CONSISTENCY LEVEL, 12-14% BY CONSISTENCY OUTPUT
MATERIAL TEMPERATURE: 100-125°F (APPROX.)
LOADING % 36%

PAINTING SPECIFICATION
-SURFACE PREPARATION: SSPC-SP 10 (MILD STEEL ONLY)
-PRIMER COAT: INTERGUARD 270 (MIO)
THK.: 4 @ 3 MILS DFT
-TOP COAT: INTERTHANE 870 HS
THK.: 4 @ 3 MILS
-EQUIPMENT COLOR: TURQUOISE GREEN, RAL #6016
-GUARD COLOR: SAFETY YELLOW

CERTIFIED PRINT
EQUIPMENT SHOWN ON THIS DRAWING HAS BEEN RELEASED FOR MANUFACTURING. ANY CHANGE WILL RESULT IN A PRICE ADJUSTMENT AND DELIVERY RE-SCHEDULING.
P.O. No.: 445020
JOB No.: FT-00-1217
DRAWING No.: EQUIP. M41169 DWG-122-217D
PURCHASE No.: 445020 / AEP-001
CONTINENTAL CONVEYOR & MACHINE WORKS LTD.
MADE IN CANADA

LIST OF MATERIAL / LISTE DE MATERIEL

ITEM NO.	DESCRIPTION	DRAWING NUMBER / DESSIN NUMBER	QTY. / QTE.
1	FORMED FLANGE TYPE TROUGH 3/8" THK., SS-316L	TC-121-338A-123	2
1A	FORMED FLANGE TYPE TROUGH 3/8" THK., SS-316L	TC-121-338A-124	1
2	BOX END DRIVE SIDE 1/2" THK., SS-316L	TD-123-006A	1
3	BOX END TAIL SIDE 1/2" THK., SS-316L	TC-123-007A	1
4	SEMI-FLANGED TYPE COVER 10 GA. THK., SS-316L	TC-121-376A-287	2
4A	SEMI-FLANGED TYPE COVER 10 GA. THK., SS-316L	TC-121-376A-288	1
4B	SEMI-FLANGED TYPE COVER 10 GA. THK., SS-316L	TC-121-376A-289	1
5	STANDARD INLET 37" x 55 1/2", SS-316L		1
6	STANDARD DISCHARGE 37" x 37" x 3/8" THK., SS-316L		1
7	COUNTERWEIGHT OVERFLOW DOOR 17" x 17", SS-316L	TC-470-0210-6	2
7A	INSPECT. DOOR 17" x 17", SS-316L C/W S. MESH	TC-470-0100-6	2
8	DRIVE SHAFT #4 7/16" C/W FLANGE, SS-316L	TC-460-504A	1
9	TAIL SHAFT #4 7/16" C/W FLANGE, SS-316L	TC-460-504A	1
10	PILLLOW BLOCK "SKF" SML22526-4 7/16T6 #4 7/16"	B.E.O.	2
11	SPLIT PACKED GLAND SEAL #4 7/16" BORE C/W ALBION #361	TB-420-516A	2
12	SCREW RIGHT HAND #36" C/W FLANGES FOR SHAFTS	TC-460-504A	1
13	PROXIMITY SWITCH ALLEN BRADLEY #872C-A15N30-A2		1
INSTRUMENT TAG #57-SSL-0601			
14	SPEED SWITCH BRACKET	TC-450-784A-31	1
15	ELECT. MOTOR 75 HP, 460/3/60, TEFC, 1800 RPM, INSTALLED BY CCWM		1
FRAME 405T (SUPPLIED BY CUSTOMER)			
MOTOR TAG: E41169			
16	SPEED REDUCER "HANSEN" #SN75B14-B3, 14.08:1 RATIO, 60 RPM OUTPUT SPEED, MOUNTING POS. B3, TAG: T-41169		1
17	DRIVE SHEAVE 5C11.0 C/W BUSHING E-#2 7/8"		1
18	DRIVEN SHEAVE 5C24.0 C/W BUSHING F-#2 1/8"		1
19	V-BELT NO. #C134		5
20	V-BELT GUARD 39.2°C/C		1
21	MOTOR BASE	TB-471-372A	1
22	SADDLE, M.S.	TC-120-095A-53	2
23	CONTINENTAL STICKER (TA-560-044D)		1
24	CONTINENTAL NAME PLATE (TD-560-039D)		1
25	LOW SPEED COUPLING "TALX" 1120T10, #4 7/16" & #3 5/8" BORES		1
26	LOW SPEED COUPLING GUARD, M.S.	TB-431-341A-48	1
27	"FULLJET" SPRAY NOZZLE #2 1/2H-316SS90		7
28	DISCHARGE CHUTE 37" x 37" x 1/4" THK., SS.316L		1
29	SPECIAL INLET CHUTE 1/4" THK., SS-316L C/W INS. DOOR TD-330-872A		1
30	"TRELLEX" GRIP STRIP No.14 x 68" LG.		4
31	"TRELLEX" GRIP STRIP No.14 x 43" LG.		4
32	"TRELLEX" GRIP CORNER No.14-55H (INSIDE CORNER)		8
33	TRELLEX DUST-SEALING CLOTH 9" x 24"-07L6.		1
34	SPRING CLAMPS (INLET COVER BOLTED)		18
35	REMOVABLE LIFTING LUG		8
36	LIMIT SWITCH "ALLEN-BRADLEY" #802T-A C/W LEVER ARM 802T-W1		2
"NEMA 4" BOX TYPE			
TAG: #27-ZS-0637A, TAG: 27-ZS-0637B			
37	"TRELLEX" 515 BALL VALVE, STAINLESS STEEL, #2 1/2" FULL BORE, ANSI 150 (FLANGES)		7
38	DILUTION SYSTEM (#6" I.P.S. HEADER, SS-316L)	TC-123-008A	1



SEP 2 0 2001
V-681
REQU/RECEIVED
17-09-2001

DO NOT SCALE / NE PAS PRENDRE A L'ECHELLE

TOLERANCES
Unless otherwise specified
Sauf indication contraire
Machined/Usinée
Decimal/Decimale ± .015"

REVISIONS

NO.	REVISIONS	DATE (YY/MM/DD)	BY/PR
P1	ISSUED FOR APPROVAL	01-02-07	SM
P2	MOD. INLET CHUTE, MOD. GEN. INFORMATIONS, RE-ISSUED FOR APPROVAL	29-02-01	SM
0	RELEASED FOR MANUFACTURING, DILUTION SYSTEM ADDED (PIPING)	01-02-05	SM
1	ITEM 38 WAS SS-304L, SUPPORT MEMBERS ALSO ADDED FOR THIS ITEM	01-04-18	SM
2	ADDED REDUCER TAG NUMBER	01/08/22	M.R.
3	ADDED MOTOR BASE ITEM 21, CHANGED V-BELT GUARD	01/09/04	M.R.

This drawing is the exclusive and confidential property of Continental Conveyor and Machine Works Ltd. / Ce dessin est la propriété confidentielle et exclusive de Convoyeur Continental et Usinage Ltee.

continental CONTINENTAL CONVEYOR & MACHINE WORKS LTD. / CONVOYEUR CONTINENTAL & USINAGE LTEE.
THETFORD MINES, QUEBEC, CANADA / NAPANEE, ONTARIO, CANADA

ALLIANCE FOREST PRODUCTS U.S. CORP.
CONVEYOR, RECYCLED PULP DILUTION, #36" X 24'-8 1/4" LG., SS-316L
EQUIP. M41169, GENERAL ARRANGEMENT

Drawn/Desiné: **Stephan Morais** / Checked/Verifié: [Signature] / Approved/Approuvé: [Signature] / Job No./Contrat No.: FT-00-1217
Date: 01-02-05 / Scale/Echelle: 1/2"=1'-0" / P.O.No./CDE No.: 445020 (ABGS PROJECT #AFCP-001)
Size/Grandeur: Drawing No./Dessin No.: [Blank] / Revision: **3**