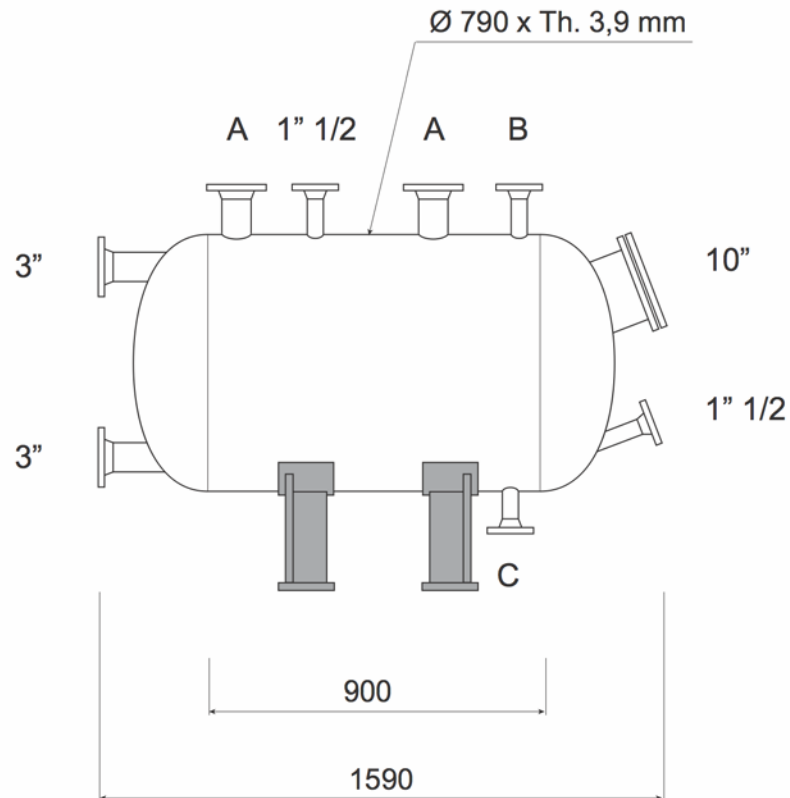


COPRINOX

VESSEL

Code n° **VO 006 1542**

Location ref: 18 G1

CAPACITY LITERS **610**

SHELL SIDE

JACKET/COIL SIDE

Design Pressure KG/cm²
Design Temperature °C
Material3/Vac
100
AISIANCC or ISPESL certification: NOT
Availability in stock n° 01 units

NOZZLE DIMENSIONS

MANUFACTURER OMCA

Pos	Service	Size inch.
A	Product inlet	3"
B	Product inlet	2"
C	Product outlet	2"
D		
E		

- USED
 USED RECONDITIONED
 UNUSED

NOTE

WEIGHT (approx) Kg _____