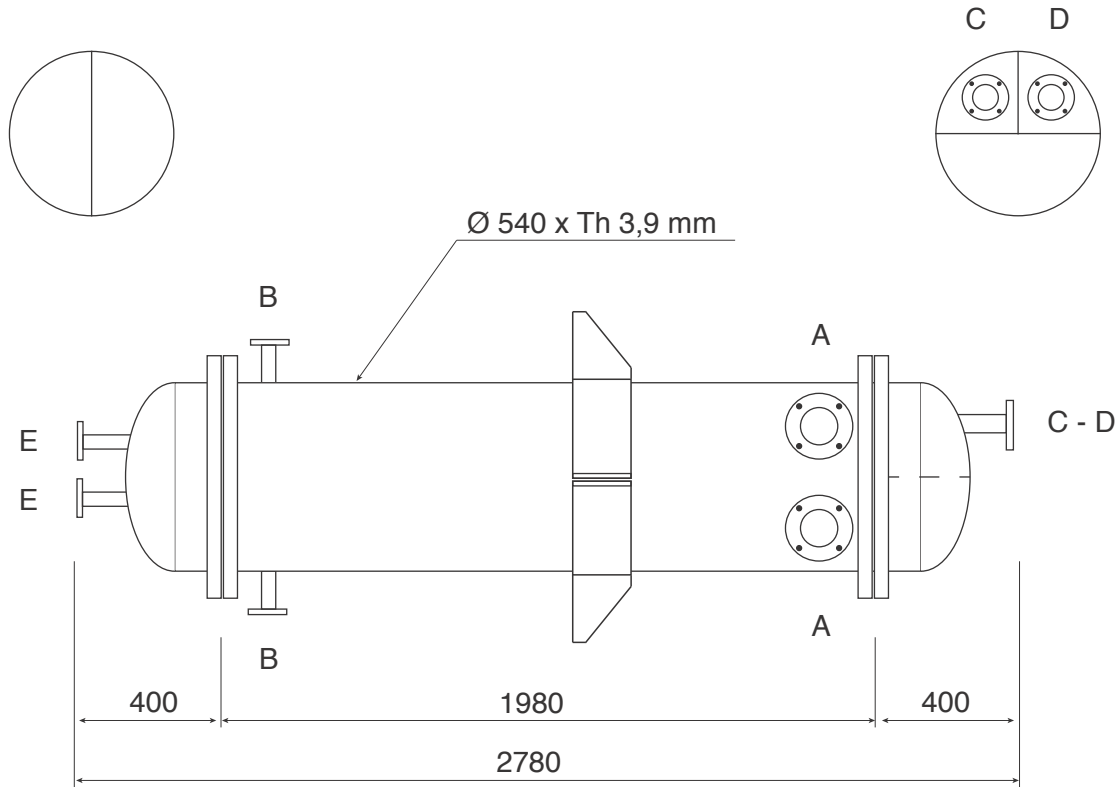


COPRINOX

HEAT EXCHANGER

Code n° HTD 018 1199

Location ref: 01 B4



HEATING SURFACE m² <u>18</u>	TUBE SIDE	SHELL SIDE																		
Design Pressure KG/cm2 _____ Design Temperature °C _____ Capacity liters _____	5	130																		
ANCC or ISPESEL certification: NOT Shell side traverse baffles n° _____ Tube side passes n° <u>4</u>	NOZZLE DIMENSIONS																			
TUBE O.D. <u>34</u> TUBE THICKNESS _____ TUBE N° <u>88</u> TUBE EXPAND <input checked="" type="checkbox"/> TUBE WELDED <input type="checkbox"/> EXPANSION JOINT <input type="checkbox"/>	<table border="1" style="width: 100%; border-collapse: collapse;"> <thead> <tr> <th style="width: 10%;">Pos</th> <th style="width: 70%;">Service</th> <th style="width: 20%;">Size inch.</th> </tr> </thead> <tbody> <tr> <td>A</td> <td>Shell side inlet</td> <td>3"</td> </tr> <tr> <td>B</td> <td>Shell side outlet</td> <td>1"1/2</td> </tr> <tr> <td>C</td> <td>Tube side inlet</td> <td>2"</td> </tr> <tr> <td>D</td> <td>Shell side outlet</td> <td>2"</td> </tr> <tr> <td>E</td> <td></td> <td>1"</td> </tr> </tbody> </table>	Pos	Service	Size inch.	A	Shell side inlet	3"	B	Shell side outlet	1"1/2	C	Tube side inlet	2"	D	Shell side outlet	2"	E		1"	VERTICAL <input checked="" type="checkbox"/> ORIZZONTAL <input type="checkbox"/> FLOATING HEAD <input type="checkbox"/> U - TUBE BUNDLE <input type="checkbox"/> KETTLE <input type="checkbox"/>
Pos	Service	Size inch.																		
A	Shell side inlet	3"																		
B	Shell side outlet	1"1/2																		
C	Tube side inlet	2"																		
D	Shell side outlet	2"																		
E		1"																		
MATERIALS	<input type="checkbox"/> USED <input checked="" type="checkbox"/> USED RECONDITIONED <input type="checkbox"/> UNUSED																			
SHEEL _____ AISI 316 TUBES _____ AISI 316 TUBESHEET _____ AISI 316 HEAD BONNET OR CHANNEL _____ Carbon Steel	NOTE _____																			
WEIGHT (approx) Kg _____																				
MANUFACTURER: <u>I.M.I.C.A.M.</u>																				