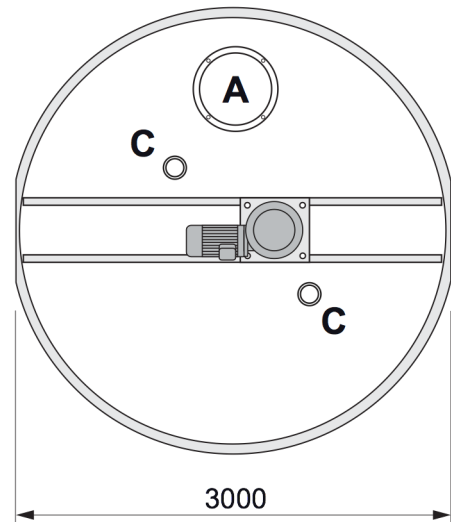
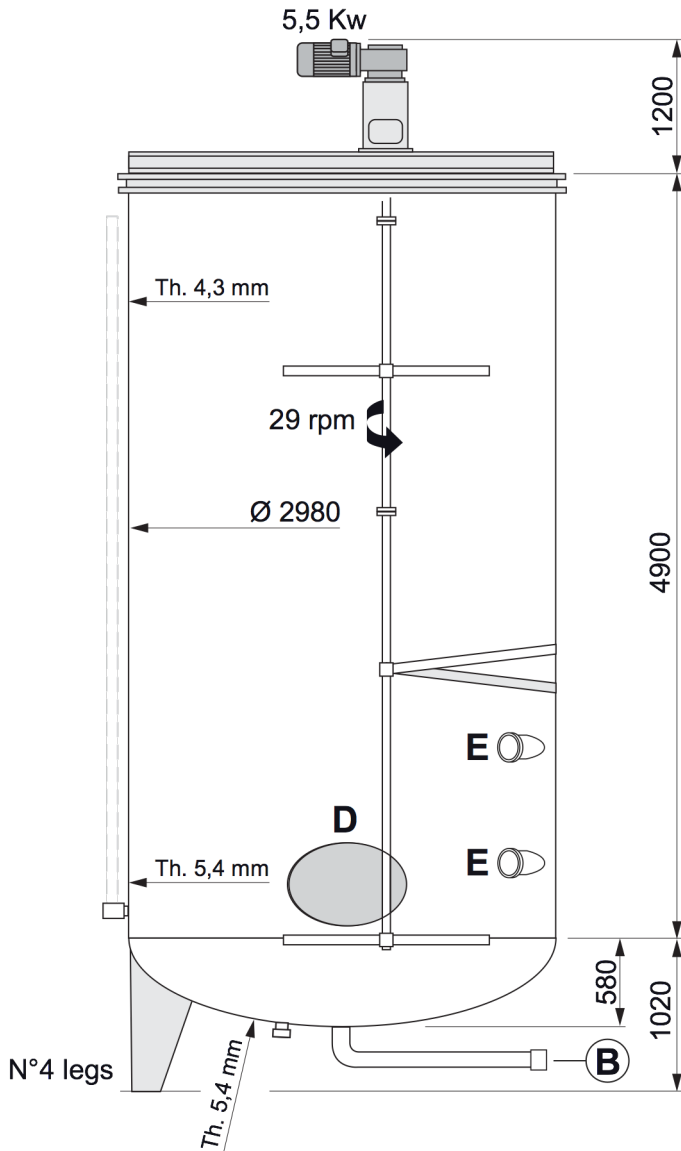


# COPRINOX

# VESSEL

Code n° **VV 400 1583**

Location ref: 19 B4



<b>CAPACITY LITERS</b> <u>37.000</u>		<b>SHELL SIDE</b>	<b>JACKET/COIL SIDE</b>	
Design Pressure KG/cm2		Atm	--	
Design Temperature °C		--	--	
Material		AISI 304	--	
ANCC or ISPESL certification: <u>N.A</u>		<b>NOZZLE DIMENSIONS</b>		
Availability in stock n° <u>1</u> units				
<b>MANUFACTURER</b> _____		<b>Pos</b>	<b>Service</b>	<b>Size</b>
<input checked="" type="checkbox"/> USED <input type="checkbox"/> USED RECONDITIONED <input type="checkbox"/> UNUSED		<b>A</b>	Manhole	DN500
		<b>B</b>	Product outlet	DN100
		<b>C</b>	Product inlet/service	DN100
		<b>D</b>	Manhole	
		<b>E</b>	Product inlet/service	DN100
<b>WEIGHT (approx) Kg</b> <u>3600</u>		<b>NOTE</b> _____		