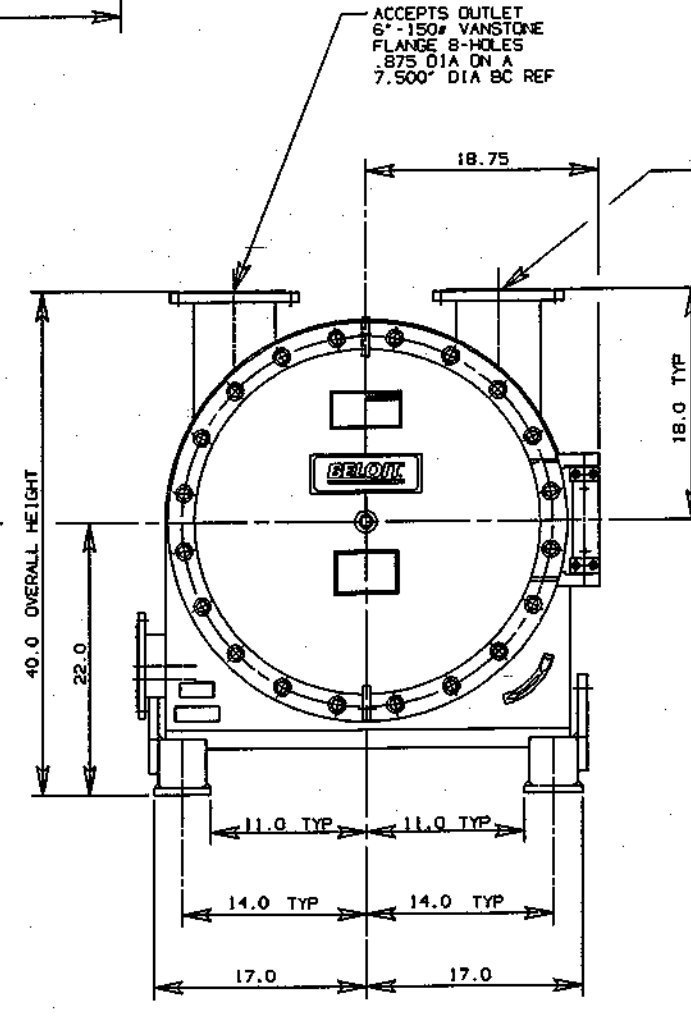
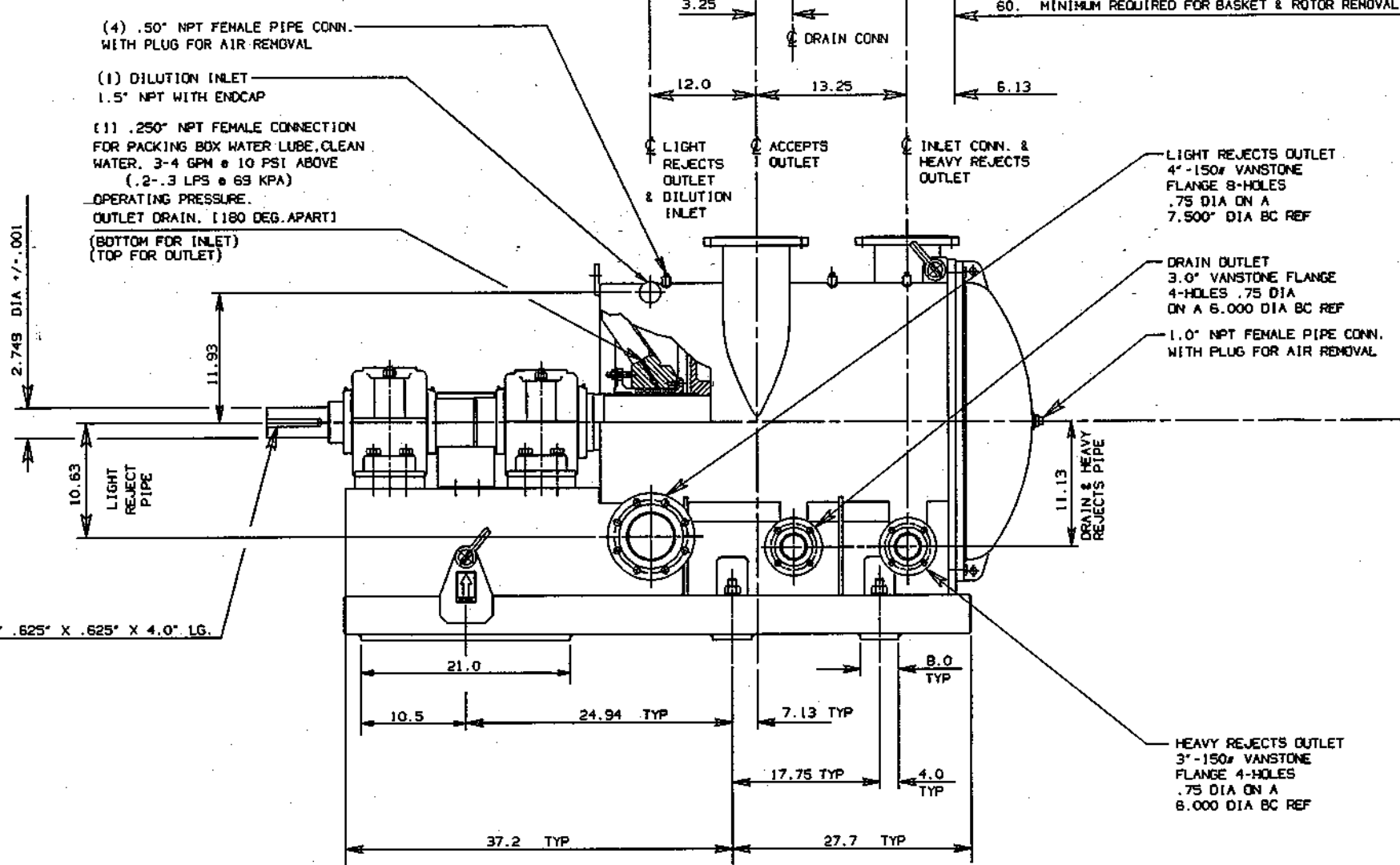


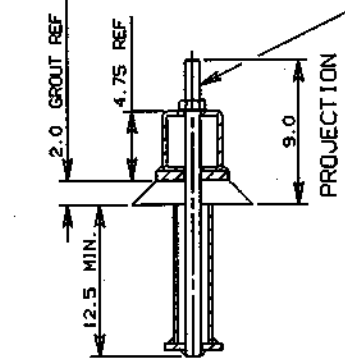
- NOTES:
- 1 - ALL VALVES, PIPING, TUBING & GAUGES BY BELOIT.
  - 2 - FOR PIPING RECOMMENDATIONS, SEE GENERAL ARRANGEMENT OF PIPING DRAWING.
  - 3 - MAXIMUM OPERATING PRESSURE = 100 PSI (690 KPA).
  - 4 - FOR OPERATING PRESSURES ΔP, FEED CONSISTENCY ETC. SEE CUSTOMER CERT. SHEET FOR CURRENT INFORMATION.
  - 5 - EST MACHINE WEIGHT - EMPTY = 3,430 LBS (1559.1 KG).  
EST MACHINE WEIGHT - FULL = 4,030 LBS (1831.8 KG).  
EST SHAFT W/BEARINGS INCLUDED = 640 LBS (290.9 KG).  
EST ROTOR WEIGHT = 202 LBS (91.8 KG).  
EST BASKET WEIGHT = 237 LBS (107.7 KG).  
EST LIFTING TOOL WEIGHT = 140 LBS (63.6 KG).  
DYNAMIC LOAD (HYDRAULIC) = 100 LBS (444.8 NEWTONS)

**BELOIT**  
**CERTIFIED CORRECT**  
 DATE: 01-OCT-98  
 CUSTOMER: SCHWEITZER-MAUDUIT, INC.  
 P.O. NO.: 12666  
 SERIAL NO. EQUIPMENT NO. S.O. NO.  
 98H0665 769936A-62



INLET FEED  
 6"-150# VANSTONE  
 FLANGE 8-HOLES  
 .875 DIA ON A  
 7.500" DIA BC REF

(6) 1.0"-8 ANCHOR BOLTS  
 WITH NUTS & PIPE SLEEVES  
 INSTALLED BY CUSTOMER.



SUGGESTED ANCHOR BOLT  
 ARRANGEMENT  
 (SCALE = 1:8)  
 TYP (6) PLACES  
 UNDER BEARINGS  
 COPYRIGHT 1998 BELOIT CORPORATION

UNLESS OTHERWISE SPECIFIED:				© THIS PRINT IS THE PROPERTY OF BELOIT CORPORATION. THE INFORMATION THEREON IS SUBMITTED IN CONFIDENCE.				SIMILAR TO DRAWING NO. 62-123222		CONTROL NO.		WEIGHT		QTY. REQ		WANTED											
MACHINING TOLERANCES IN/MM				UNIT OF MEASURE IN				EXCEPT AS NOTED		PROJECTION		SHOP ORDER / CHARGE NO. 730200A-62		GEN. ARRANGEMENT & INSTALLATION													
1.0 OR 1.0000 = ±.040, ±1.00 mm				✓				B/M MODE		DATE 23-JAN-98		FIRST USED DRAWING NO. SEE CUST L/A		PRODUCT STRUCTURE CHART													
1.00 OR 1.0000 = ±.010, ±0.25 mm												DATE 23-JAN-98		M-R 18 SCREEN - SERIES II													
1.000 OR 1.0000 = ±.005, ±0.13 mm												DRAWN SRN		CHK'D POB		APP'Y'D POB		ENG KJN		I.E.		SCALE 1 of 1		SH NTS		REV -	
FOR CUTOFF, FABRICATION AND CASTING TOLERANCES AND STD SHOP PRACTICES, SEE FACTORY MANUAL.				ANGULARITY TOLERANCES = 1/2°				BELOIT																D62-123243			
REV ALTERATIONS DATE BY				SUPERSEDES SUPERSEDED BY																							

ADRA

A B C D E F G H