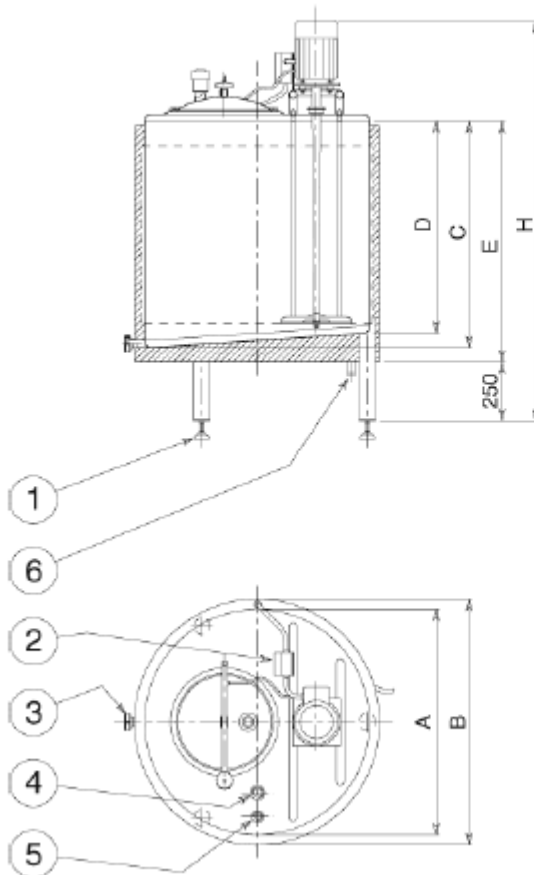
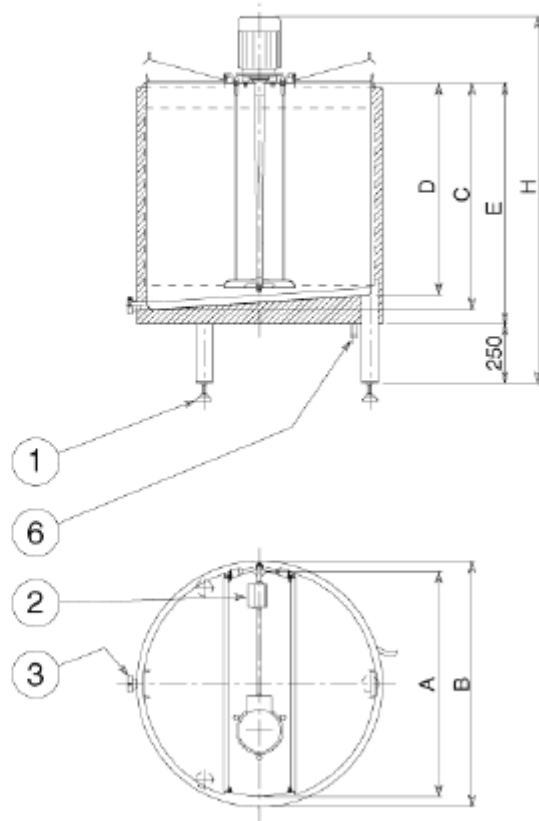


**TYPE 1**  
Closed with manhole Ø 420



**TYPE 2**  
Opening covers with crosspiece



All pasteurizers have internal food finish and are supplied with ISO 228-G water circuit connections, adjustable feet (1), digital thermostat-thermometer  $\Delta T$  -50 °C / +110 °C (2), drain male with nut (3). In comparison with pasteurizers TYPE 2, pasteurizers TYPE 1 have a washing connection (female union) (4) and product load connection (female union) (5). Models 300, 600 and 1200 are supplied with a motoagitator 3.400V 50Hz 3 HP 2800 rpm, while the model 2400 has a motoagitator 3.400V 50Hz 5.5 HP 1400 rpm.

		TPW 300	TPW 600	TPW 1200	TPW 2400	
Capacity(lt)	TIPO 1	335	660	1280	2455	
	TIPO 2	300	610	1175	2310	
Dimensions(mm)	A	833	950	1300	1510	
	B	923	1040	1390	1600	
	C	645	960	1000	1405	
	D	585	900	930	1335	
	E	715	1020	1060	1465	
	H TIPO 1	~1310	~1700	~1740	~2445	
	H TIPO 2	~1280	~1580	~1710	~2420	
Agitator support	TIPO 1	NO	SI	SI	SI	
	TIPO 2	NO	NO	SI	SI	
Fittings	TIPO 1	(3)	DN25	DN32	DN40	DN40
		(4)	DN32	DN32	DN32	DN32
		(5)	DN25	DN25	DN40	DN40
		(6)	3/4"	1"	1" 1/4	1" 1/4
	TIPO 2	(3)	DN25	DN32	DN40	DN40
		(4)	NO	NO	NO	NO
		(5)	NO	NO	NO	NO
		(6)	3/4"	1"	1" 3/4	1" 1/4
Number of support		3	3	4	4	
Weight (Kg)		~90	~140	~215	~330	