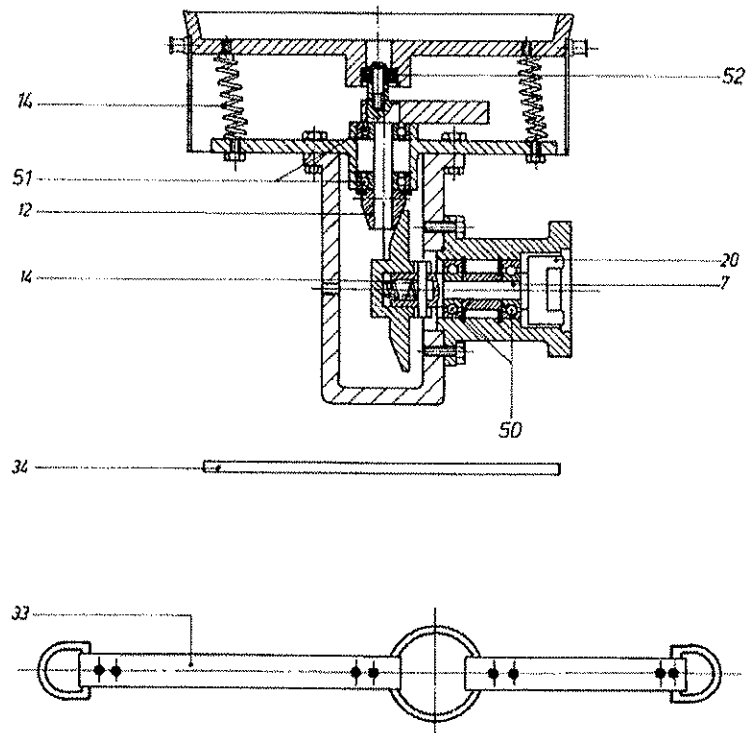
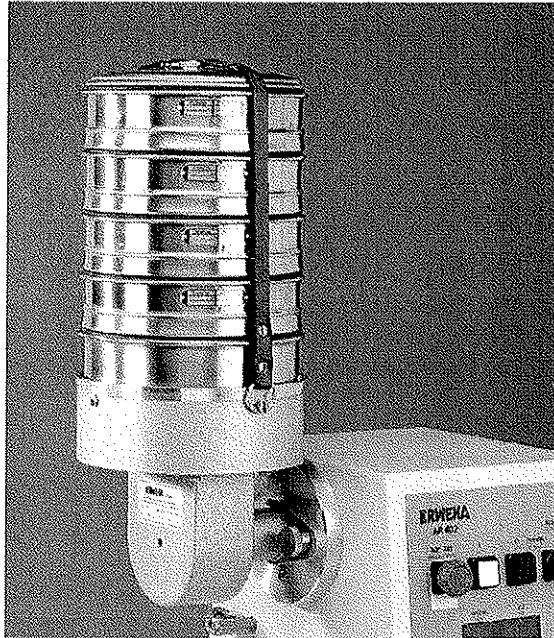
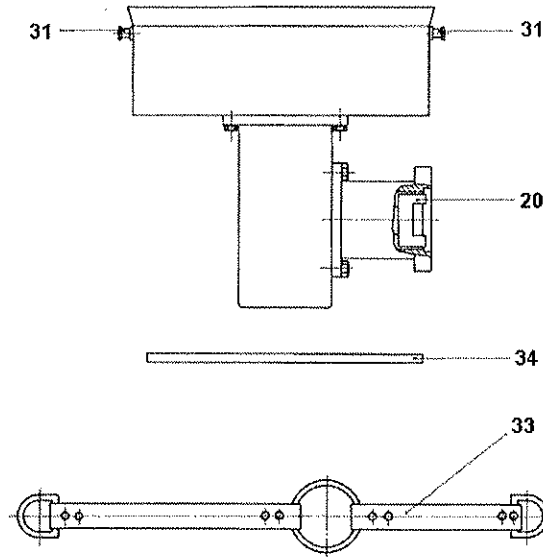


7 Sieve Analysis Tool, VT/VS/PS/S

7.1 Overview





7.2 Setup

The sieves can be analysed using the ERWEKA vibration table. The vibration table is equipped with a rubber plate (34), a holding rod (33) with a tension spring (35).

To set up the vibration table (the sieve analysis tool):

1. Push the vibration table against the motor in such a way that the motor shaft is caught by the drive claw (20) and the apparatus is placed firmly on the two holding bolts to the left and to the right of the drive shaft.
2. Tighten the two hand screws.
3. After placing the rubber plate (34) on the table, put a vibration sieve or a test sieve (assembled in accordance with the requirements) onto the rubber plate (34).
4. Hang the holding rod on the holding screw (31).
5. Place the centre ring of the rod over the knob of the sieve cover and only after that hang the tension spring (35) onto the opposite holding screw (31).



This unit should be operated only at the highest speed of the motor drive, i.e. 400 rpm.



The initial speed of the drive unit after each change of the attachment should be always set to the lowest value. After the initial stage the speed can be adjusted as necessary within the permitted limits.



When starting and stopping the motor, the sieve should be steadied lightly with one hand to eliminate excessive fluttering during this phase.



If the Kressner sieve is used and an especially hard-to-sift product is processed, you can facilitate the sifting operation by inserting a round brush.



The apparatus requires no lubrication.