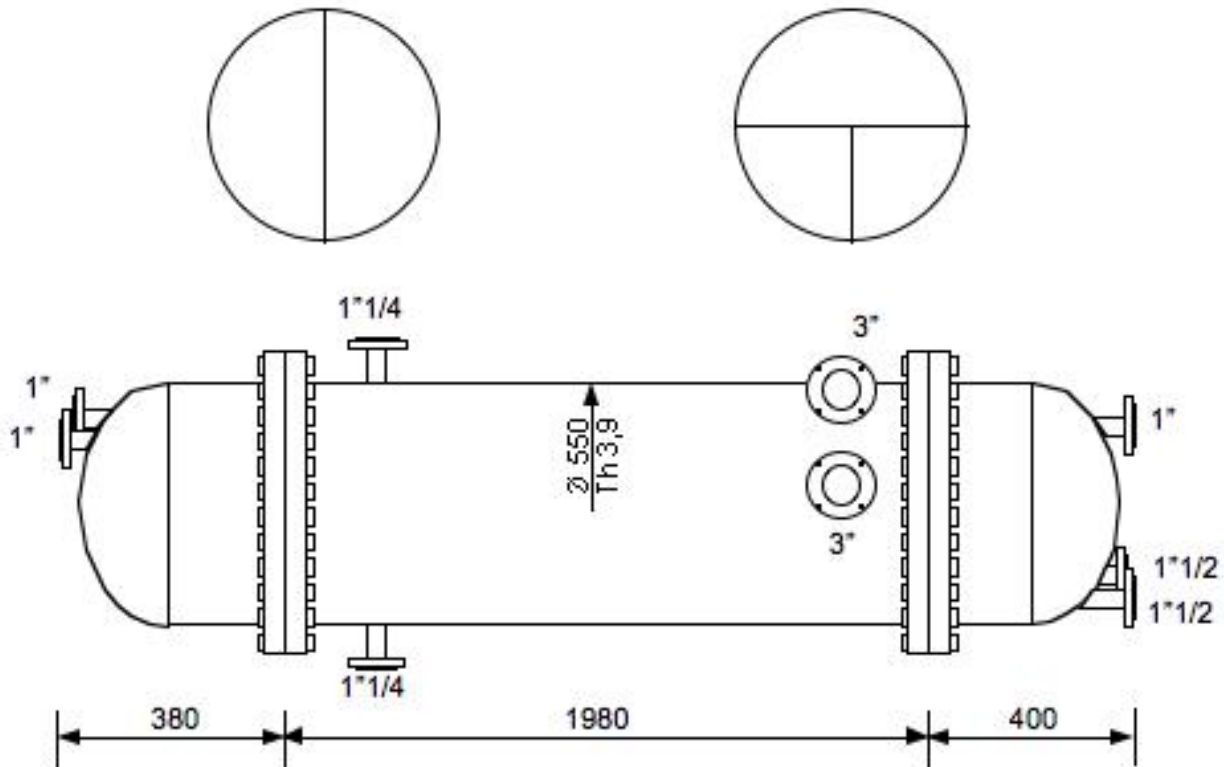


COPRINOX

HEAT EXCHANGER

Code n° HTD 018 1199

Location ref: 01 B4



HEATING SURFACE m² <u>18</u>	TUBE SIDE	SHELL SIDE																												
Design Pressure KG/cm2 _____ Design Temperature °C _____ Capacity liters _____	5	130																												
ANCC or ISPESEL certification: NOT Shell side traverse baffles n° _____ Tube side passes n° <u>4</u>	NOZZLE DIMENSIONS																													
TUBE O.D. <u>34</u> TUBE THICKNESS <u>4</u> TUBE N° <u>88</u> TUBE EXPAND <input checked="" type="checkbox"/> TUBE WELDED <input type="checkbox"/> EXPANSION JOINT <input type="checkbox"/>	<table border="1" style="width:100%; border-collapse: collapse;"> <thead> <tr> <th style="width:10%;">Pos</th> <th style="width:70%;">Service</th> <th style="width:20%;">Size inch.</th> </tr> </thead> <tbody> <tr><td>A</td><td></td><td></td></tr> <tr><td>B</td><td></td><td></td></tr> <tr><td>C</td><td></td><td></td></tr> <tr><td>D</td><td></td><td></td></tr> <tr><td>E</td><td></td><td></td></tr> </tbody> </table>	Pos	Service	Size inch.	A			B			C			D			E			<table border="1" style="width:100%; border-collapse: collapse;"> <tr><td>VERTICAL</td><td><input type="checkbox"/></td></tr> <tr><td>ORIZZONTAL</td><td><input checked="" type="checkbox"/></td></tr> <tr><td>FLOATING HEAD</td><td><input type="checkbox"/></td></tr> <tr><td>U - TUBE BUNDLE</td><td><input type="checkbox"/></td></tr> <tr><td>KETTLE</td><td><input type="checkbox"/></td></tr> </table>	VERTICAL	<input type="checkbox"/>	ORIZZONTAL	<input checked="" type="checkbox"/>	FLOATING HEAD	<input type="checkbox"/>	U - TUBE BUNDLE	<input type="checkbox"/>	KETTLE	<input type="checkbox"/>
Pos	Service	Size inch.																												
A																														
B																														
C																														
D																														
E																														
VERTICAL	<input type="checkbox"/>																													
ORIZZONTAL	<input checked="" type="checkbox"/>																													
FLOATING HEAD	<input type="checkbox"/>																													
U - TUBE BUNDLE	<input type="checkbox"/>																													
KETTLE	<input type="checkbox"/>																													
MATERIALS	<input type="checkbox"/> USED <input checked="" type="checkbox"/> USED RECONDITIONED <input type="checkbox"/> UNUSED																													
SHEEL _____ AISI 316 TUBES _____ AISI 316 TUBESHEET _____ AISI 316 HEAD BONNET OR CHANNEL _____ Carbon Steel	NOTE _____																													
WEIGHT (approx) Kg _____																														
MANUFACTURER: <u>I.M.I.C.A.M.</u>																														