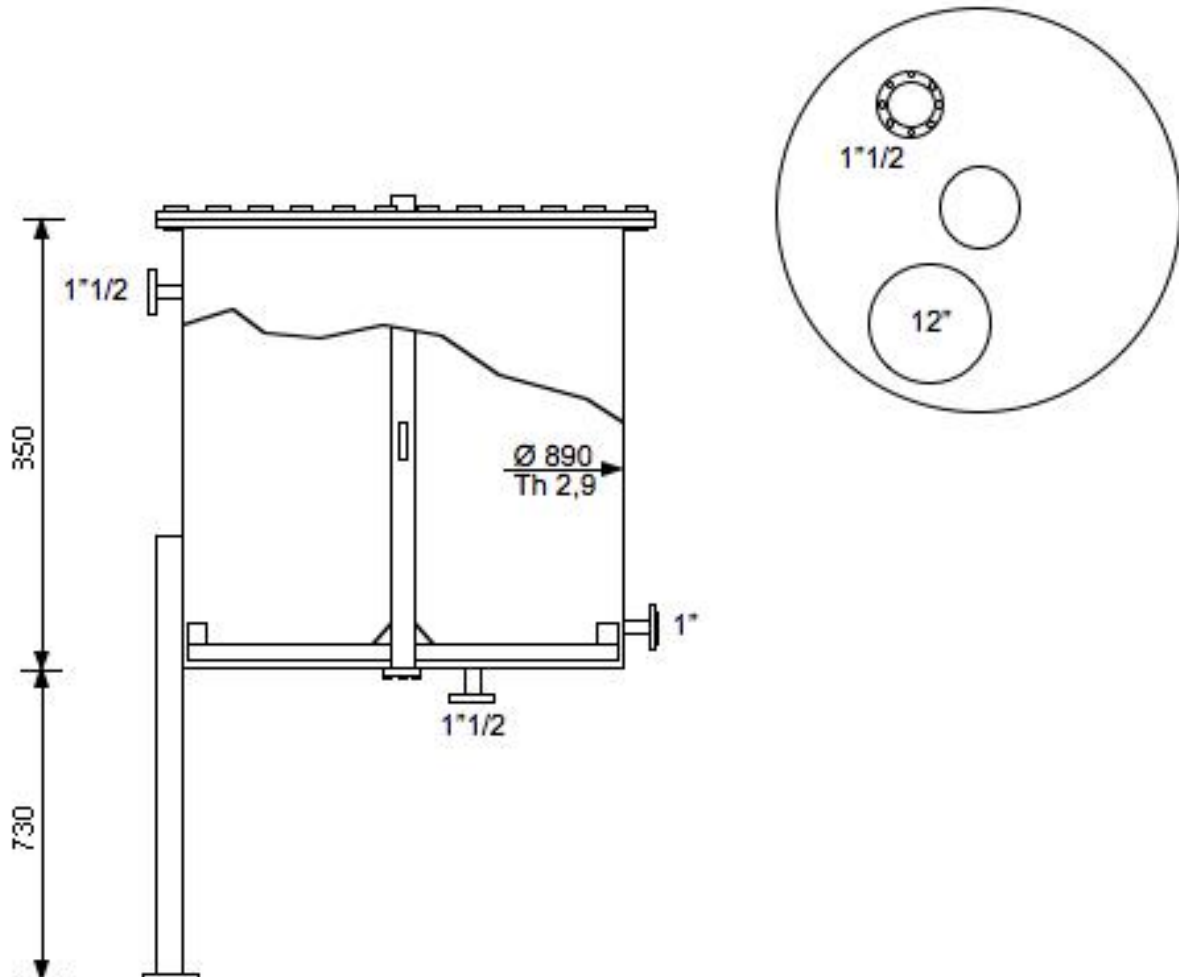


COPRINOX

VESSEL

Code n° **VV 005 1537**Location ref: **98 C1**CAPACITY LITERS **520**

SHELL SIDE

JACKET/COIL SIDE

Design Pressure KG/cm2
Design Temperature °C
Material

AISI

ANCC or ISPESL certification: **NOT**
Availability in stock n° **01** units

NOZZLE DIMENSIONS

Pos	Service	Size inch.
A		
B		
C		
D		
E		

MANUFACTURER

- USED
 USED RECONDITIONED
 UNUSED

NOTE

WEIGHT (approx) Kg **350**