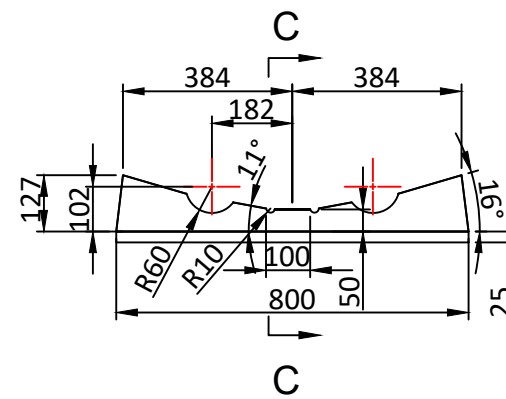
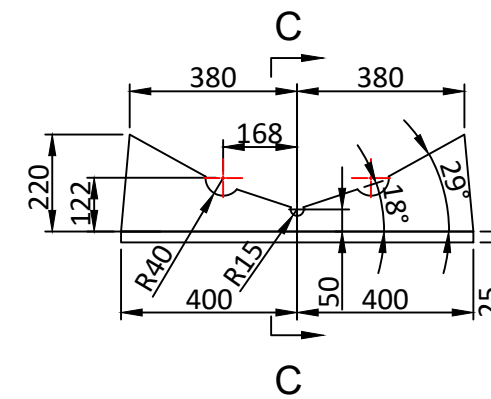


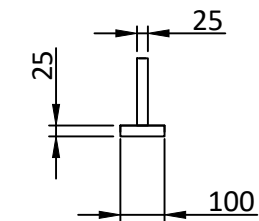
LONGITUDINAL PROFILE




TRANSVERSAL SECTION "A"



TRANSVERSAL SECTION "B"



TRANSVERSAL SECTION "C"

| | | | |
|---|---------------|--------|------------------|
|  | CL260ST CHOCK | | DWN: LDW |
| | | | APPROVED: LXL |
| info@highfieldboats.com | DWG: | SCALE: | DATE: 2024.11.29 |
| (C) Copyright reserved. No unauthorized use allowed. All intellect - ideas - concepts remain the property of Highfield Boats | | | |