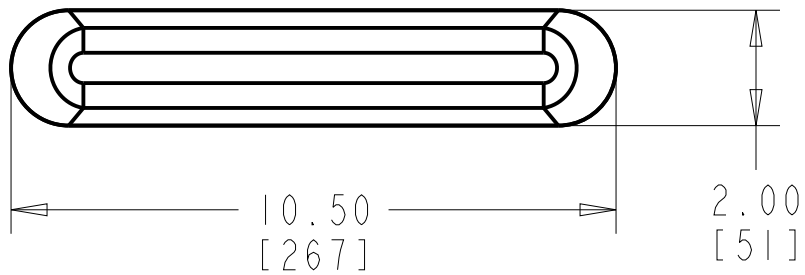
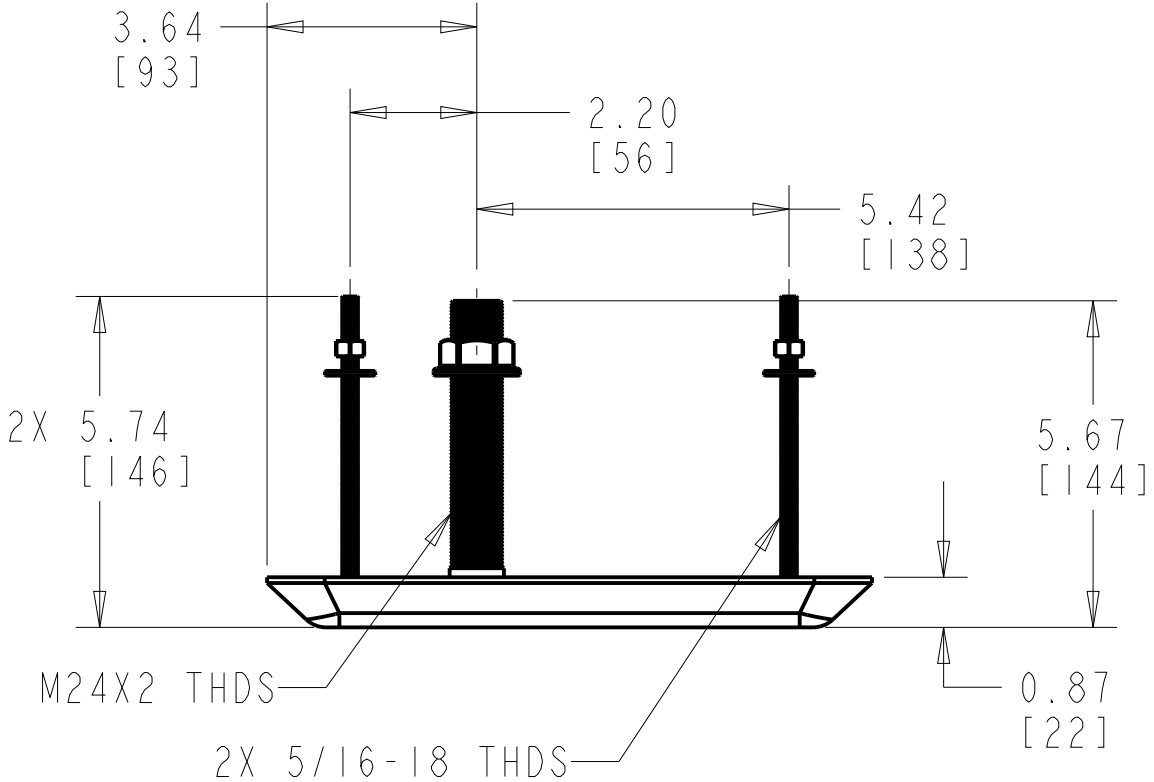



THIRD ANGLE PROJECTION 	REVISIONS				
	REV	DESCRIPTION	ECO NO	DATE	CHG/CHK
	A	PRELIMINARY RELEASE	--	04/09/12	FSC



UNLESS OTHERWISE SPECIFIED DIMENSIONS ARE IN INCHES TOLERANCES ON 2 PL DECIMALS: ±0.02 3 PL DECIMALS: ±0.005 ANGLES: ±1/2° FRACTIONS: ±1/16	SIGNATURE	DATE	 AIRMAR TECHNOLOGY CORPORATION 35 MEADOWBROOK DR MILFORD NH 03055-4613 USA TEL: 603-673-9570 FAX: 603-673-4624
	DRAWN: F.CHASE	04/09/12	
	CHECKED: R.CULLEN	04/10/12	TITLE OUTLINE DRAWING STRUCTURE SCAN (LONG VERSION)
MATERIAL N/A			
SIZE A		SCALE: NONE	NUMBER 92-256-04 REV A
		SHEET 1 OF 1	
THIS DOCUMENT AND THE DATA DISCLOSED HEREIN OR HEREWITH IS NOT TO BE REPRODUCED, USED, OR DISCLOSED IN WHOLE OR IN PART TO ANYONE WITHOUT THE PERMISSION OF AIRMAR.			CRITICAL DIMENSION DO NOT SCALE DRAWING