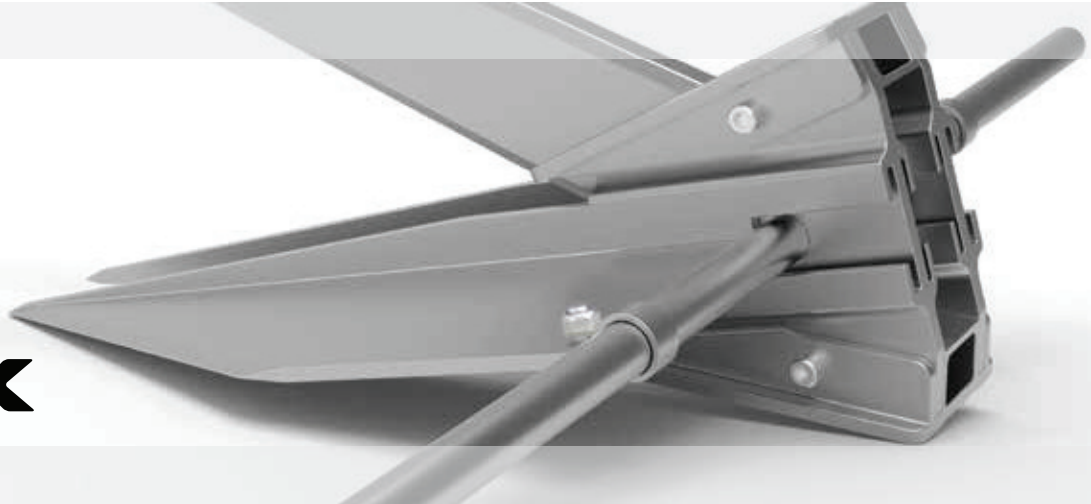


2. Anchoring

LFX



LFX Anchor

The new LFX anchor has been developed to complement our existing range, offering style with practicality. Made from high-grade anodised aluminium, the LFX anchor demonstrates exceptional anti-corrosion performance with enhanced aesthetics. The large flukes perform superbly under high loads while being extremely lightweight, making the LFX easy to handle and use. The anchor has the additional feature of being simple to disassemble and store in a locker.

- Made from lightweight and strong, high-grade aluminium alloy
- Tough, durable and corrosion-resistant anodised finish
- Performs at its best in mud and sand environments
- Very high holding power for the comparative weight of anchor
- Adjustable fluke angle for different conditions
- Easily detachable for locker storage (minimal tools required)
- Available with anchor locker storage bag
- Weight range – 4lb, 7lb, 10lb, 15lb and 21lb

PART NO.	DESCRIPTION
0058102	LFX-4 2KG/4LBS
0058103	LFX-7 3.2KG/7LBS
0058105	LFX-10 4.5KG/10LBS
0058107	LFX-15 7KG/15LBS
0058110	LFX-21 10KG/21LBS



Certification:

Type approved with the ABS (American Bureau of Shipping).

LFX-21 will be type approved for super high holding power "SHHP".



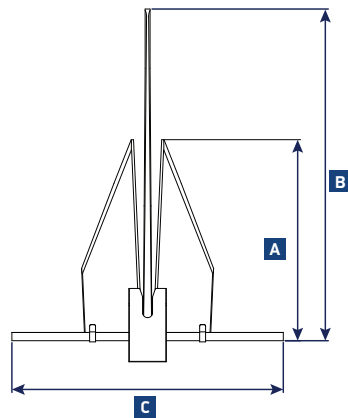
Selection guide

ANCHOR WEIGHT		BOAT LENGTH OVERALL					
KG	LB	5 M 16 FT	8 M 28 FT	10 M 33 FT	12 M 39 FT	14 M 46 FT	16 M 52 FT
2	4						
3.2	7						
4.5	10						
7	15						
10	21						

Lighter shading represents the upper limit of model. If in doubt, move up a model.

This information is for guidance only, please consult the relevant Classification Society for specific certification requirements.

Dimensions Diagram



LFX Anchor Specifications

PART NUMBER	BAG PART NUMBER	ANCHOR WEIGHT		RECOMMENDED CHAIN SIZE		A		B		C	
		KG	LB	MM	IN	MM	IN	MM	IN	MM	IN
0058102	0058302	2	4	6	1/4	594	23 6/16	357	14 1/16	471	18 4/8
0058103	0058303	3.2	7	6 TO 7	1/4	672	26 7/16	407	16	550	21 5/8
0058105	0058305	4.5	10	8	5/16	769	30 5/16	457	18	629	24 9/36
0058107	0058307	7	15	10	3/8	886	34 14/16	526	20 11/16	727	28 5/8
0058110	0058310	10	21	10	3/8	993	39 2/16	606	23 13/16	796	31 3/8

Dimensions subject to +/- 2% tolerance